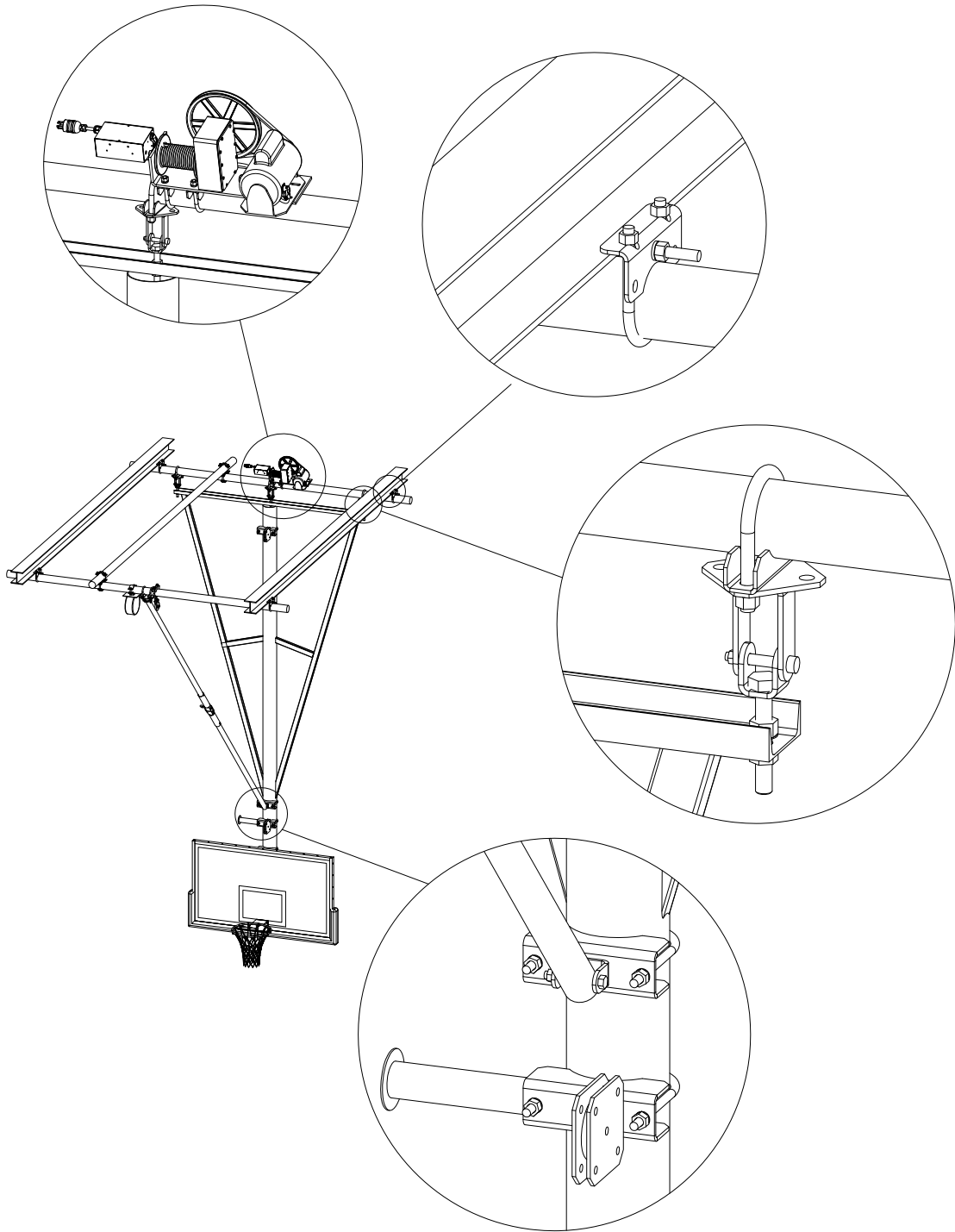


PARTS AND FITTINGS GUIDE



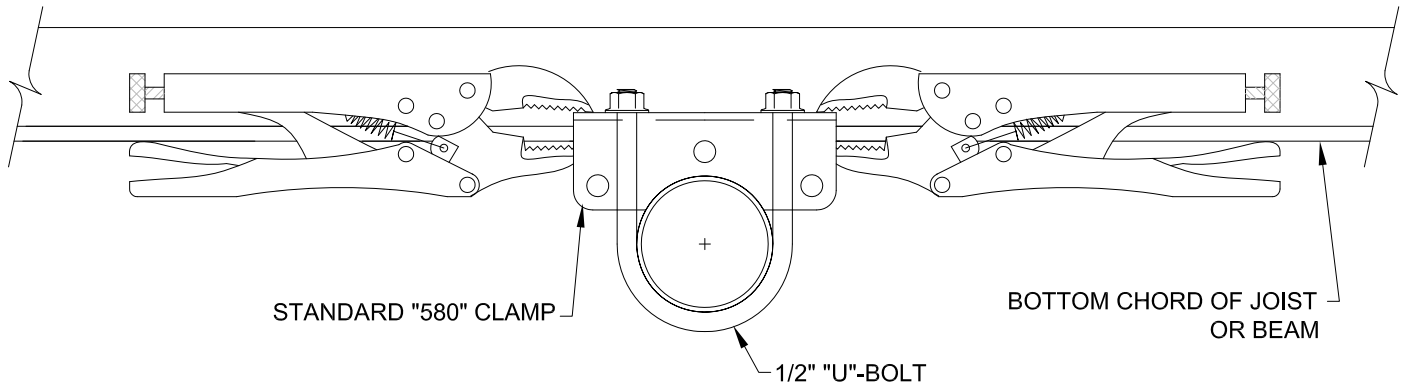
PORTER[®]

Installer's Guide to **PORTER** Parts and Fittings

SAVE THIS GUIDE FOR FUTURE USE

TIPS ON INSTALLING THE "580" GIRDER CLAMP

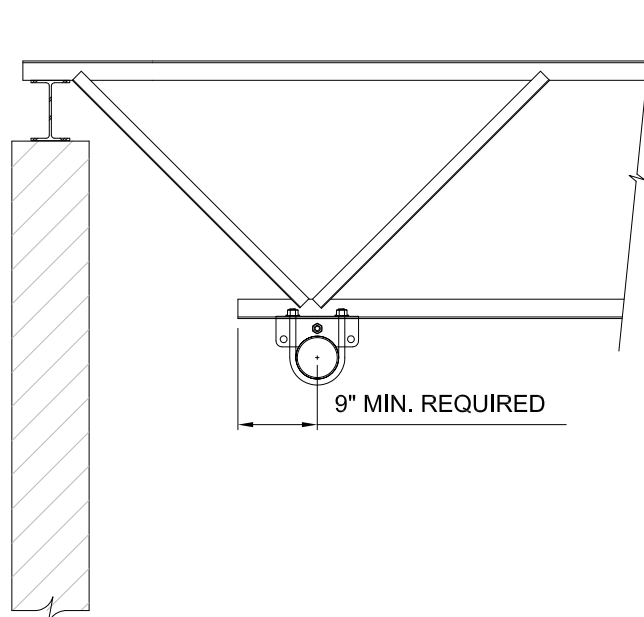
UTILIZE A PAIR OF VISE-GRIPS OR "C" CLAMPS TO HOLD HALF OF THE ASSEMBLY IN PLACE. THIS WILL ALLOW YOU TO TEMPORARILY SUPPORT THE PIPE AT ONE END, AND ADJUST THE LOCATION BEFORE ASSEMBLING THE SECOND HALF, AND SECURING THE "U"-BOLTS AND THREADED ROD.



WARNING

DO NOT USE THIS TEMPORARY SUPPORT ON SPANS GREATER THAN 12', WHICH INCLUDES BRIDGED PIPE, UNLESS SAFETY TETHERS ARE SECURED AROUND EACH END OF THE PIPE!

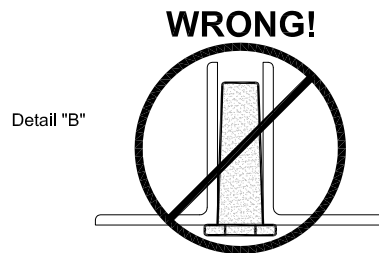
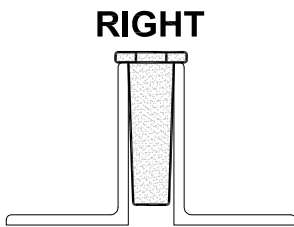
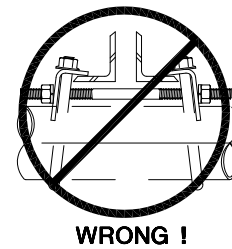
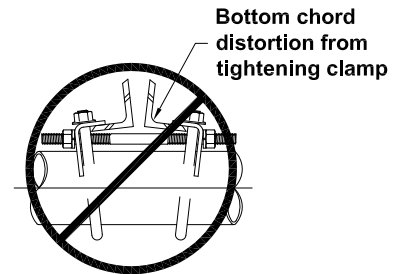
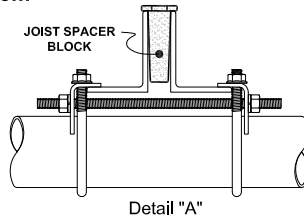
IF YOUR INSTALLATION IS NEAR THE END OF A JOIST BOTTOM CHORD, PERMANENTLY SECURE THE CLAMP WITH A SELF-TAPPING SCREW, OR PROVIDE A STOP.



TIPS ON INSTALLING THE "580" GIRDER CLAMP

INSTALLER NOTE: On bottom chord connections, it may be necessary to provide a "spacer" to prevent the chord from compressing when tightening nuts on the all-thread. Spacers, as required, may be provided from Porter. Specify part No. 10583 024.

1. The joist spacer block is designed to prevent distortion of the bottom chord angles of joists, when Porter's girder clamp assemblies are used to attach the superstructure to these joists. See Detail "A" for a typical installation.
2. The joist spacer blocks must be installed **FROM THE TOP DOWN**, before tightening the hardware that secures the girder clamps. See Detail "B". If the joist spacer block is installed from the bottom up, it may fall to the floor, causing serious bodily injuries or damage to the facility.
3. Typically, one joist spacer block will be required at each girder clamp/superstructure connection.



Detail "B"

INSTALLER NOTE: Girder clamp angles must be installed perpendicular to truss (and not splayed as shown in the details above.)

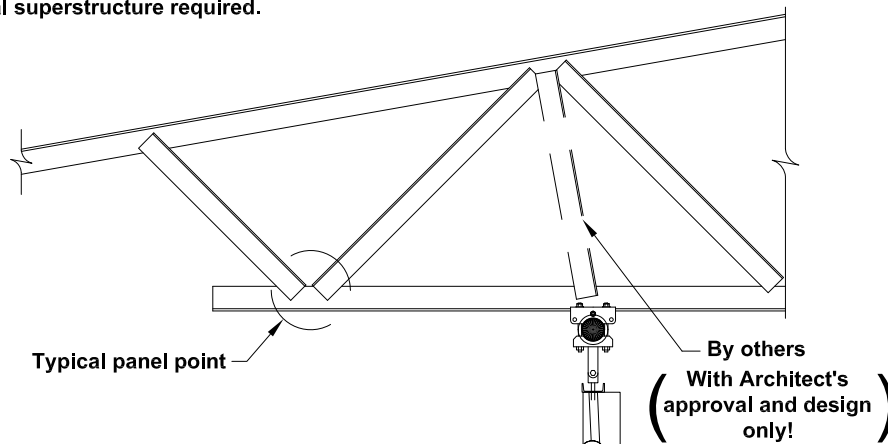
10583 024 (SET OF 24)
OPTIONAL JOIST SPACER
(SPECIFY AS REQUIRED)

RECOMMENDATION

On projects requiring superstructure attachment at panel point locations, Porter recommends a supplemental structural member (angle) be added to the top chord panel point and extended down to the bottom chord at backstop connection. If panel point connections are required by Porter only, there will be an upcharge for additional superstructure required.

WARNING

Any modification to the joist must be designed by the architect and installed by the general contractor or joist manufacturer.



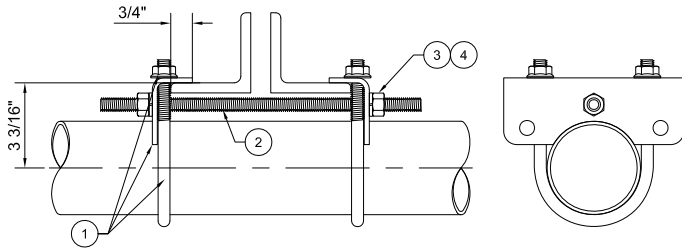
SUPPLEMENTARY PANEL POINT
(BY OTHERS)

SUPER STRUCTURE ATTACHMENTS

FITG 580 __ 1

Required Parts For One (1) Complete SINGLE ROD Assembly

Item #	Qty.	Part Number	Description
1	2	XCLP 58001 002	STANDARD GIRDER CLAMP ASSEMBLY
INCLUDES:			
		CLMP 00052 002	(2) PRECISION DIE-FORMED GIRDER CLAMPS
		UBOT 00005 000	(2) 3-1/2"Ø U-BOLT - 1/2"Ø
		HDWE 03061 0E0	(4) 1/2"Ø SERRATED FLANGE NUTS
2	1	HDWE 58052 000	1/2"Ø x 12" Lg. THREADED ROD (SEE TABLE)
3	2	HDWE 04003 0E0	1/2"Ø LOCKWASHER
4	2	HDWE 03003 0E0	1/2"Ø HEX NUT



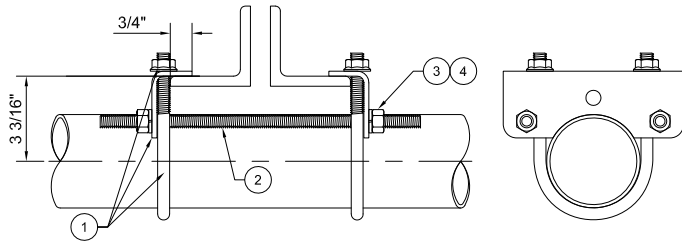
PACKAGE No. (Single Rod)	THREADED ROD LENGTH	MAXIMUM FLANGE WIDTH	FLANGE THICKNESS
FITG 580 121	12"	9"	UP TO 1/2"
FITG 580 181	18"	15"	
FITG 580 241	24"	21"	

STANDARD "580" GIRDER CLAMP ASSEMBLY

FITG 580 __ 2

Required Parts For One (1) Complete DOUBLE ROD Assembly

Item #	Qty.	Part Number	Description
1	2	XCLP 58001 002	STANDARD GIRDER CLAMP ASSEMBLY
INCLUDES:			
		CLMP 00052 002	(2) PRECISION DIE-FORMED GIRDER CLAMPS
		UBOT 00005 000	(2) 3-1/2"Ø U-BOLT - 1/2"Ø
		HDWE 03061 0E0	(4) 1/2"Ø SERRATED FLANGE NUTS
2	2	HDWE 58052 000	1/2"Ø x 12" Lg. THREADED ROD (SEE TABLE)
3	4	HDWE 04003 0E0	1/2"Ø LOCKWASHER
4	4	HDWE 03003 0E0	1/2"Ø HEX NUT



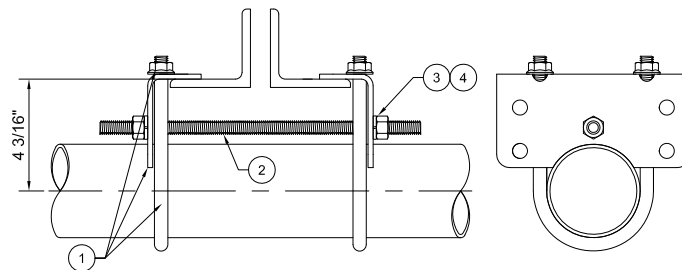
PACKAGE No. (Two Rods)	THREADED ROD LENGTH	MAXIMUM FLANGE WIDTH	FLANGE THICKNESS
FITG 580 122	12"	9"	UP TO 1 3/8"
FITG 580 182	18"	15"	
FITG 580 242	24"	21"	

STANDARD "580" GIRDER CLAMP ASSEMBLY

FITG 590 __ 1

Required Parts For One (1) Complete SINGLE ROD Assembly

Item #	Qty.	Part Number	Description
1	2	XCLP 59001 002	STANDARD GIRDER CLAMP ASSEMBLY
INCLUDES:			
		CLMP 00087 002	(2) PRECISION DIE-FORMED GIRDER CLAMPS
		UBOT 00025 000	(2) 3-1/2"Ø U-BOLT - 1/2"Ø
		HDWE 03061 0E0	(4) 1/2"Ø SERRATED FLANGE NUTS
2	1	HDWE 58052 000	1/2"Ø x 12" Lg. THREADED ROD (SEE TABLE)
3	2	HDWE 04003 0E0	1/2"Ø LOCKWASHER
4	2	HDWE 03003 0E0	1/2"Ø HEX NUT



PACKAGE No. (Single Rod)	THREADED ROD LENGTH	MAXIMUM FLANGE WIDTH	FLANGE THICKNESS
FITG 590 121	12"	9"	UP TO 1 1/2"
FITG 590 181	18"	15"	
FITG 590 241	24"	21"	

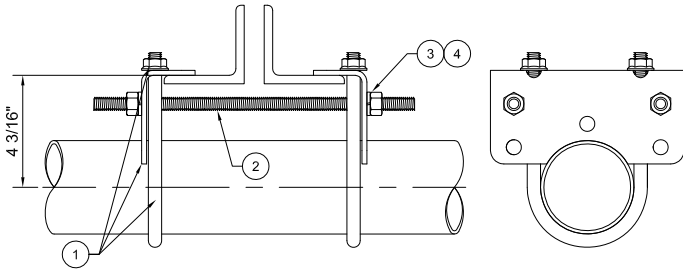
STANDARD "590" GIRDER CLAMP ASSEMBLY

SUPER STRUCTURE ATTACHMENTS

FITG 590 __ 2

Required Parts For One (1) Complete DOUBLE ROD Assembly

Item #	Qty.	Part Number	Description
1	2	XCLP 59001 002	STANDARD GIRDER CLAMP ASSEMBLY
INCLUDES:			
		CLMP 00087 002	(2) PRECISION DIE-FORMED GIRDER CLAMPS
		UBOT 00025 000	(2) 3-1/2"Ø U-BOLT - 1/2"Ø
		HDWE 03061 0E0	(4) 1/2"Ø SERRATED FLANGE NUTS
2	2	HDWE 58052 000	1/2"Ø x 12" Lg. THREADED ROD (SEE TABLE)
3	4	HDWE 04003 0E0	1/2"Ø LOCKWASHER
4	4	HDWE 03003 0E0	1/2"Ø HEX NUT



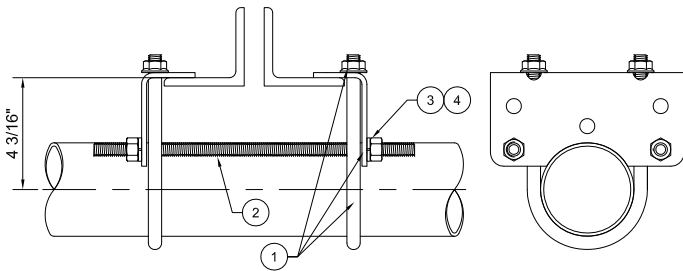
PACKAGE No. (Two Rods)	THREADED ROD LENGTH	MAXIMUM FLANGE WIDTH	FLANGE THICKNESS
FITG 590 122	12"	9"	UP TO 3/4"
FITG 590 182	18"	15"	
FITG 590 242	24"	21"	

STANDARD "590" GIRDER CLAMP ASSEMBLY

FITG 590 __ 2

Required Parts For One (1) Complete DOUBLE ROD Assembly

Item #	Qty.	Part Number	Description
1	2	XCLP 59001 002	STANDARD GIRDER CLAMP ASSEMBLY
INCLUDES:			
		CLMP 00087 002	(2) PRECISION DIE-FORMED GIRDER CLAMPS
		UBOT 00025 000	(2) 3-1/2"Ø U-BOLT - 1/2"Ø
		HDWE 03061 0E0	(4) 1/2"Ø SERRATED FLANGE NUTS
2	2	HDWE 58052 000	1/2"Ø x 12" Lg. THREADED ROD (SEE TABLE)
3	4	HDWE 04003 0E0	1/2"Ø LOCKWASHER
4	4	HDWE 03003 0E0	1/2"Ø HEX NUT



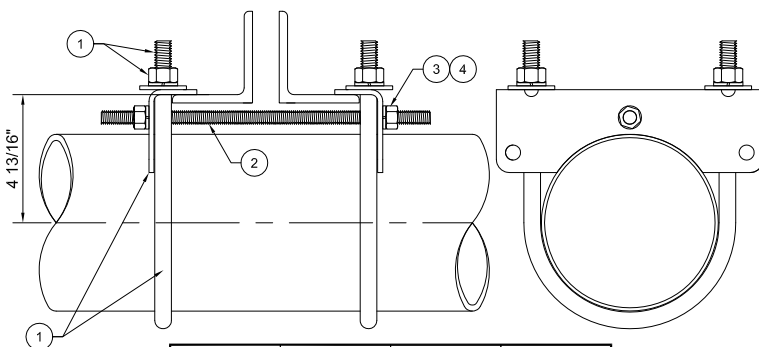
PACKAGE No. (Two Rods)	THREADED ROD LENGTH	MAXIMUM FLANGE WIDTH	FLANGE THICKNESS
FITG 590 122	12"	9"	UP TO 2 3/8"
FITG 590 182	18"	15"	
FITG 590 242	24"	21"	

STANDARD "590" GIRDER CLAMP ASSEMBLY

FITG 680 __ 1

Required Parts For One (1) Complete SINGLE ROD Assembly

Item #	Qty.	Part Number	Description
1	2	XCLP 68001 002	STANDARD GIRDER CLAMP ASSEMBLY
INCLUDES:			
		CLMP 00052 102	(2) PRECISION DIE-FORMED GIRDER CLAMPS
		UBOT 00006 0E2	(2) 6-5/8"Ø U-BOLT - 5/8"Ø
		HDWE 03012 0E0	(2) 5/8"Ø HEX NUTS
		HDWE 04006 0E0	(2) 5/8"Ø LOCKWASHERS
		HDWE 05007 0E0	(2) 5/8"Ø FLATWASHERS
2	1	HDWE 58052 000	1/2"Ø x 12" Lg. THREADED ROD (SEE TABLE)
3	2	HDWE 04003 0E0	1/2"Ø LOCKWASHER
4	2	HDWE 03003 0E0	1/2"Ø HEX NUT

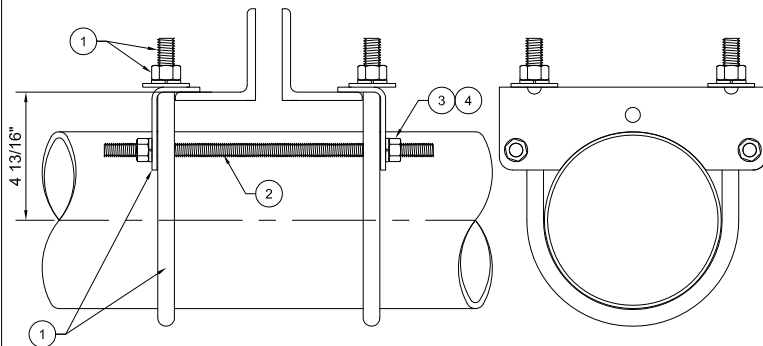


PACKAGE No. (Single Rod)	THREADED ROD LENGTH	MAXIMUM FLANGE WIDTH	FLANGE THICKNESS
FITG 680 121	12"	9"	UP TO 1/2"
FITG 680 181	18"	15"	
FITG 680 241	24"	21"	

STANDARD "680" GIRDER CLAMP ASSEMBLY

SUPER STRUCTURE ATTACHMENTS

FITG 680 __ 2

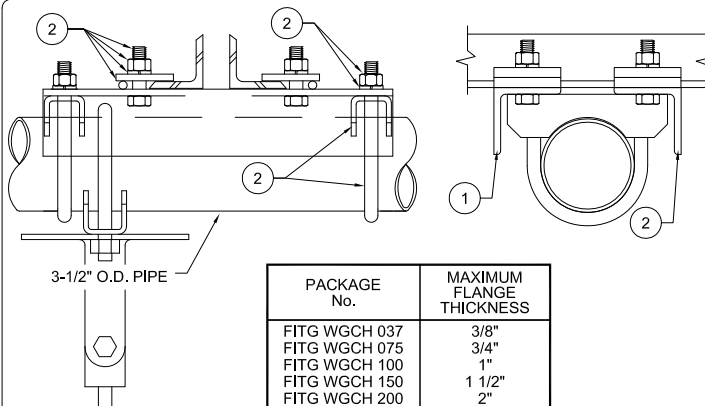


PACKAGE No. (Two Rods)	THREADED ROD LENGTH	MAXIMUM FLANGE WIDTH	FLANGE THICKNESS
FITG 680 122	12"	9"	UP TO 1 3/8"
FITG 680 182	18"	15"	
FITG 680 242	24"	21"	

STANDARD "680" GIRDER CLAMP ASSEMBLY

Required Parts For One (1) Complete DOUBLE ROD Assembly

Item #	Qty.	Part Number	Description
1	2	XCLP 68001 002	STANDARD GIRDER CLAMP ASSEMBLY
INCLUDES:			
		CLMP 00052 102	(2) PRECISION DIE-FORMED GIRDER CLAMPS
		UBOT 00006 0E2	(2) 6-5/8"Ø U-BOLT - 5/8"Ø
		HDWE 03012 0E0	(2) 5/8"Ø HEX NUTS
		HDWE 04006 0E0	(2) 5/8"Ø LOCKWASHERS
		HDWE 05007 0E0	(2) 5/8"Ø FLATWASHERS
2	2	HDWE 58052 000	1/2"Ø x 12" Lg. THREADED ROD (SEE TABLE)
3	4	HDWE 04003 0E0	1/2"Ø LOCKWASHER
4	4	HDWE 03003 0E0	1/2"Ø HEX NUT



PACKAGE No.	MAXIMUM FLANGE THICKNESS
FITG WGCH 037	3/8"
FITG WGCH 075	3/4"
FITG WGCH 100	1"
FITG WGCH 150	1 1/2"
FITG WGCH 200	2"

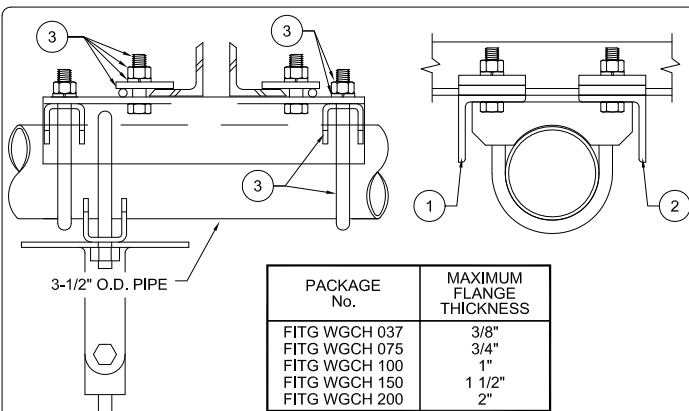
WIDE G.C. CUSTOM CLAMP ASSEMBLY - CENTERED

PROVIDES CLEARANCE FOR PIPE FITTINGS

Required Parts For One (1) Complete WIDE G.C. Assembly

Item #	Qty.	Part Number	Description
1	2	ANGL WGC ___ 0C	WIDE G.C. ANGLE ___" C/C SLOTS - CENTERED
2	1	FITG WGCH 037	WIDE G.C. HARDWARE & CLAMPS (SEE TABLE)
INCLUDES:			
		CLMP 00054 002	(2) FORMED PIPE CLAMP - 3 1/2"Ø
		XCUR 67023 002	(4) FLAT CLAMP WELD w/ 3/8"Ø BAR
		UBOT 00005 000	(2) 3-1/2"Ø U-BOLT - 1/2"Ø
		HDWE 01164 0E0	(4) 1/2"Ø x 2 1/2" Lg. HEX HEAD CAP SCREW
		HDWE 04003 0E0	(8) 1/2"Ø LOCKWASHER
		HDWE 03003 0E0	(8) 1/2"Ø HEX NUT

NOTE:
SEE **PAGE 62** OF THE FITTINGS GUIDE FOR A LIST OF WIDE G.C. ANGLES THAT CAN BE USED WITH THIS ATTACHMENT.



PACKAGE No.	MAXIMUM FLANGE THICKNESS
FITG WGCH 037	3/8"
FITG WGCH 075	3/4"
FITG WGCH 100	1"
FITG WGCH 150	1 1/2"
FITG WGCH 200	2"

WIDE G.C. CUSTOM CLAMP ASSEMBLY - OFFSET

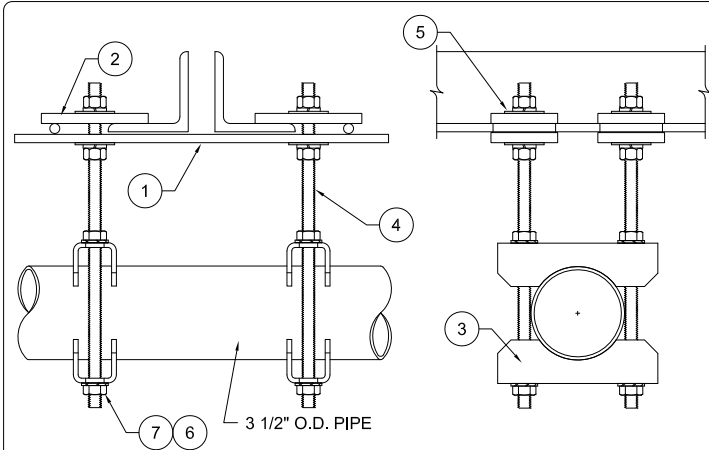
PROVIDES CLEARANCE FOR PIPE FITTINGS

Required Parts For One (1) Complete WIDE G.C. Assembly

Item #	Qty.	Part Number	Description
1	1	ANGL WGC ___ 0L06	WIDE G.C. ANGLE ___" C/C SLOTS - 6" OFFSET - LEFT
2	1	ANGL WGC ___ 0R06	WIDE G.C. ANGLE ___" C/C SLOTS - 6" OFFSET - RIGHT
3	1	FITG WGCH 037	WIDE G.C. HARDWARE & CLAMPS (SEE TABLE)
INCLUDES:			
		CLMP 00054 002	(2) FORMED PIPE CLAMP - 3 1/2"Ø
		XCUR 67023 002	(4) FLAT CLAMP WELD w/ 3/8"Ø BAR
		UBOT 00005 000	(2) 3-1/2"Ø U-BOLT - 1/2"Ø
		HDWE 01164 0E0	(4) 1/2"Ø x 2 1/2" Lg. HEX HEAD CAP SCREW
		HDWE 04003 0E0	(8) 1/2"Ø LOCKWASHER
		HDWE 03003 0E0	(8) 1/2"Ø HEX NUT

NOTE:
SEE **PAGES 63 - 64** OF THE FITTINGS GUIDE FOR A LIST OF WIDE G.C. ANGLES THAT CAN BE USED WITH THIS ATTACHMENT.

SUPER STRUCTURE ATTACHMENTS



ADJUSTABLE GIRDER CLAMP ASSEMBLY

**Required Parts For One (1) Complete
ADJUSTABLE GIRDER CLAMP Assembly**

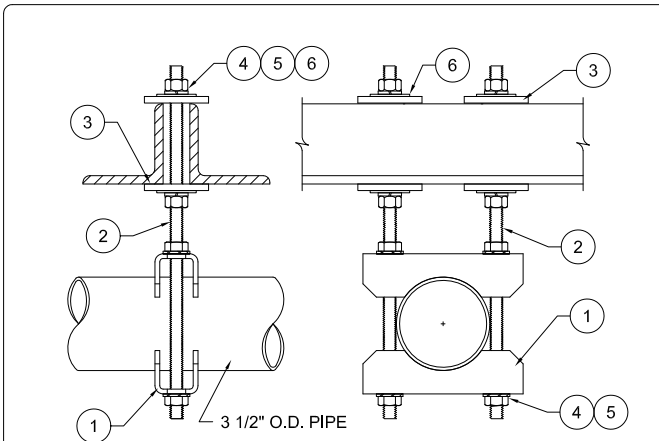
Item #	Qty.	Part Number	Description
1	2	PLTE 00280 000	DROP PLATE - 5" - 9" (SEE TABLE)
2	4	XCUR 67023 002	FLAT CLAMP WELD (SEE TABLE)
3	4	CLMP 00054 002	FORMED PIPE CLAMP - 3-1/2"Ø
4	4	HDWE 58051 000	1/2"Ø x 18" Lg. THREADED ROD
5	16	HDWE 05005 0E0	1/2"Ø FLATWASHER
6	16	HDWE 04003 0E0	1/2"Ø LOCKWASHER
7	16	HDWE 03003 0E0	1/2"Ø HEX NUT

PACKAGE No.	PLATE W/ HOLE CENTERS	MAXIMUM TRUSS WIDTH	MAXIMUM FLANGE THICKNESS
FITG DRP CL1	5" - 9"	8"	3/8"
FITG DRP CL1-1117	11" - 17"	16"	3/8"
FITG DRP CL2	5" - 9"	8"	3/4"
FITG DRP CL2-1117	11" - 17"	16"	3/4"

FITG DRP CTR 1

**Required Parts For One (1) Complete
DROP ROD THROUGH JOIST SPACE Assembly**

Item #	Qty.	Part Number	Description
1	2	CLMP 00054 002	FORMED PIPE CLAMP - 3-1/2"Ø
2	2	HDWE 58051 000	1/2"Ø x 18" Lg. THREADED ROD
3	4	HDWE 55011 0E0	1/4" THICK X 2 3/8" O.D. PLATE WASHER
4	8	HDWE 04003 0E0	1/2"Ø LOCKWASHER
5	8	HDWE 03003 0E0	1/2"Ø HEX NUT
6	4	HDWE 05005 0E0	1/2"Ø FLATWASHER

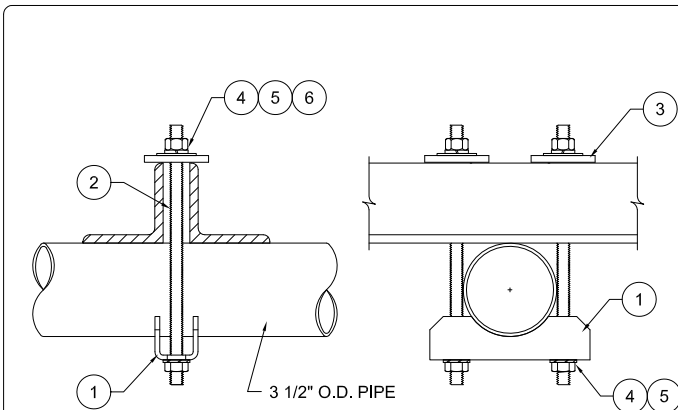


ADJUSTABLE - DROP ROD THROUGH JOIST SPACE

FITG DRP CTR 2

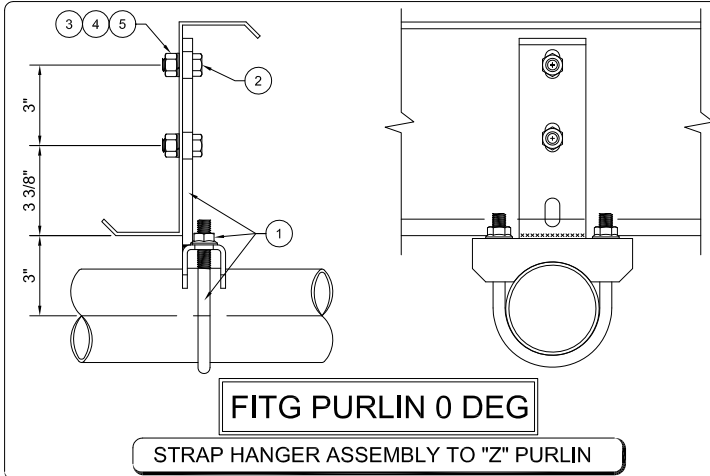
**Required Parts For One (1) Complete
DROP ROD THROUGH JOIST SPACE Assembly**

Item #	Qty.	Part Number	Description
1	1	CLMP 00054 002	FORMED PIPE CLAMP - 3-1/2"Ø
2	2	HDWE 58051 000	1/2"Ø x 18" Lg. THREADED ROD
3	2	HDWE 55011 0E0	1/4" THICK X 2 3/8" O.D. PLATE WASHER
4	4	HDWE 04003 0E0	1/2"Ø LOCKWASHER
5	4	HDWE 03003 0E0	1/2"Ø HEX NUT
6	2	HDWE 05005 0E0	1/2"Ø FLATWASHER



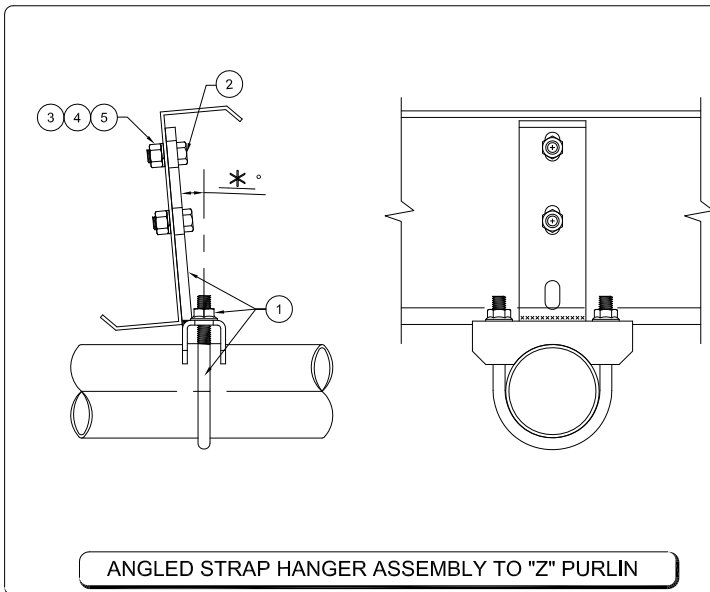
DROP ROD THROUGH JOIST SPACE

SUPER STRUCTURE ATTACHMENTS



Required Parts For One (1) Complete STRAP HANGER Assembly

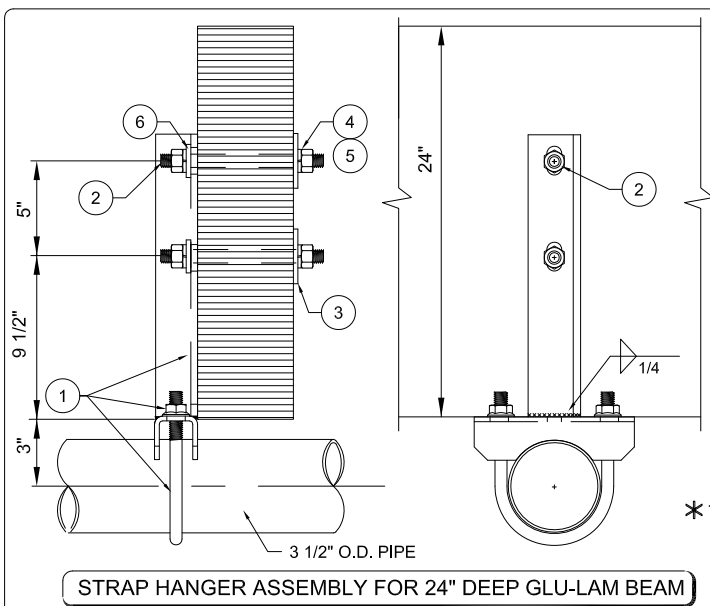
Item #	Qty.	Part Number	Description
1	1	XHNG 20081 002	STRAP HANGER ASSEMBLY
INCLUDES:			(1) STRAP HANGER WELD
			UBOT 00015 000 (1) 3-1/2"Ø U-BOLT - 1/2"Ø
			HDWE 03061 0E0 (2) 1/2"Ø SERRATED FLANGE NUTS
2	2	HDWE 01101 000	1/2"Ø x 1 1/2"Lg. HEX HD CAP SCREW GR 5
3	2	HDWE 04003 0E0	1/2"Ø LOCKWASHER
4	2	HDWE 03003 0E0	1/2"Ø HEX NUT
5	2	HDWE 05005 0E0	1/2"Ø FLATWASHER



Required Parts For One (1) Complete STRAP HANGER Assembly

Item #	Qty.	Part Number	Description
1	1	(SEE TABLE) *	STRAP HANGER ASSEMBLY
INCLUDES:			(1) STRAP HANGER WELD
			UBOT 00015 000 (1) 3-1/2"Ø U-BOLT - 1/2"Ø
			HDWE 03061 0E0 (2) 1/2"Ø SERRATED FLANGE NUTS
2	2	HDWE 01101 000	1/2"Ø x 1 1/2"Lg. HEX HD CAP SCREW GR 5
3	2	HDWE 04003 0E0	1/2"Ø LOCKWASHER
4	2	HDWE 03003 0E0	1/2"Ø HEX NUT
5	2	HDWE 05005 0E0	1/2"Ø FLATWASHER

PART No.	DEGREE OF WELD *
XHNG 20081 032	3°
XHNG 20081 052	5°
XHNG 20081 102	10°
XHNG 20081 152	15°
XHNG 20081 152 DSA	15°
XHNG 20081 202	20°



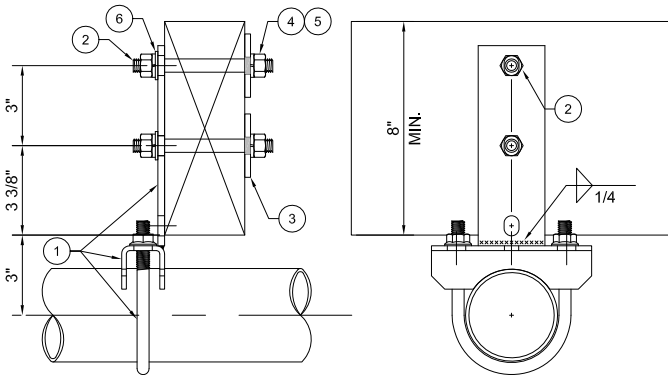
Required Parts For One (1) Complete STRAP HANGER Assembly to wood

Item #	Qty.	Part Number	Description
1	1	XHNG 20082 002	STRAP HANGER ASSEMBLY
INCLUDES:			(1) STRAP HANGER WELD
			UBOT 00015 000 (1) 3-1/2"Ø U-BOLT - 1/2"Ø
			HDWE 03061 0E0 (2) 1/2"Ø SERRATED FLANGE NUTS
2	2	HDWE 58069 000	1/2"Ø x 6" Lg. THREADED ROD
3	2	HDWE 55011 0E0	1/4" THICK x 2 3/8" O.D. PLATE WASHER
4	4	HDWE 04003 0E0	1/2"Ø LOCKWASHER
5	4	HDWE 03003 0E0	1/2"Ø HEX NUT
6	2	HDWE 05005 0E0	1/2"Ø FLATWASHER

* THREADED ROD OR CAP SCREW LENGTH DEPENDENT UPON WOOD BEAM THICKNESS.
 *** GRADE 5 ***

SUPER STRUCTURE ATTACHMENTS

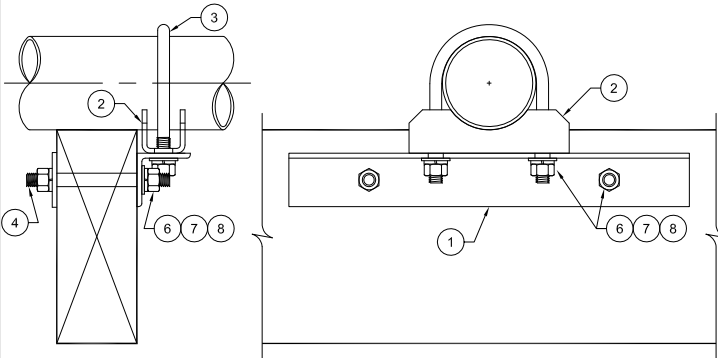
Required Parts For One (1) Complete STRAP HANGER Assembly to wood truss



STRAP HANGER ASSEMBLY TO WOOD TRUSS

Item #	Qty.	Part Number	Description
1	1	XHNG 20081 002	STRAP HANGER ASSEMBLY
INCLUDES:			
		XHNG 20081 002	(1) STRAP HANGER WELD
		UBOT 00015 000	(1) 3-1/2"Ø U-BOLT - 1/2"Ø
		HDWE 03061 0E0	(2) 1/2"Ø SERRATED FLANGE NUTS
2	2	HDWE 58069 000	1/2"Ø x 6" Lg. THREADED ROD
3	2	HDWE 55011 0E0	1/4" THICK x 2 3/8" O.D. PLATE WASHER
4	4	HDWE 04003 0E0	1/2"Ø LOCKWASHER
5	4	HDWE 03003 0E0	1/2"Ø HEX NUT
6	2	HDWE 05005 0E0	1/2"Ø FLATWASHER

Required Parts For One (1) Complete WOOD TRUSS Assembly

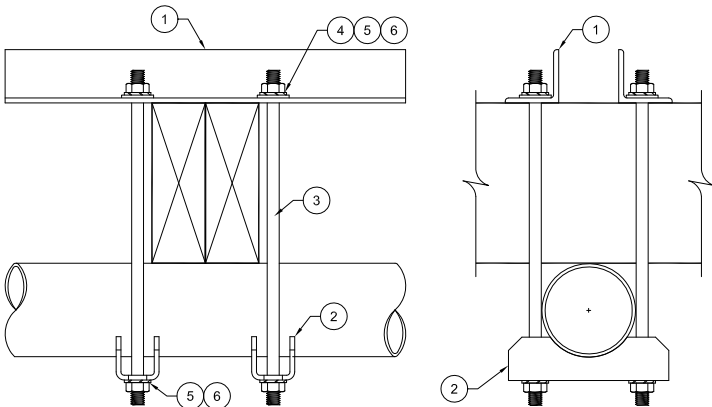


FITG WOOD TRUSS 6

ANGLE ATTACHMENT ASSEMBLY TO WOOD TRUSS

Item #	Qty.	Part Number	Description
1	1	ANGL MISC 001	2" x 2" x 3/16" ATTACHMENT ANGLE
2	1	CLMP 00054 002	FORMED PIPE CLAMP - 3-1/2"Ø
3	1	UBOT 00005 000	3-1/2"Ø U-BOLT - 1/2"Ø
4	2	HDWE 58069 000	THREADED ROD- 1/2-13 X6"
5	1	HDWE 55011 0E0	1/4" THICK x 2 3/8" O.D. PLATE WASHER
6	6	HDWE 04003 0E0	1/2"Ø LOCKWASHER
7	6	HDWE 03003 0E0	1/2"Ø HEX NUT
8	6	HDWE 05005 0E0	1/2"Ø FLATWASHER

Required Parts For One (1) Complete SANDWICH Assembly to wood beam

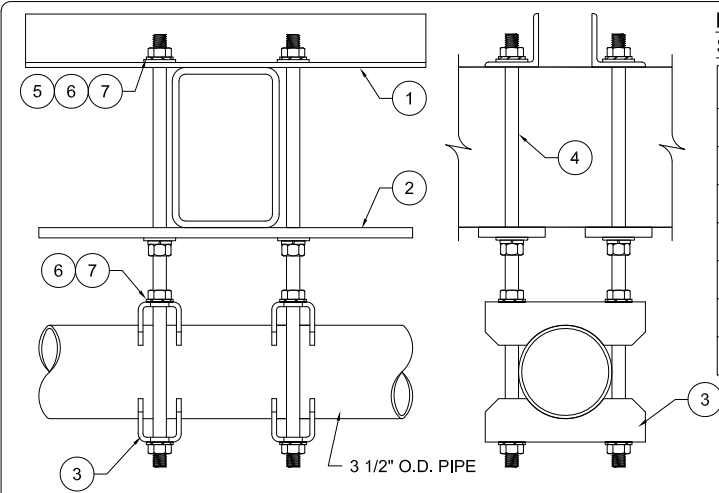


SANDWICH ATTACHMENT

Item #	Qty.	Part Number	Description
1	2	ANGL 00276 002	SUPPORT ANGLE 5" TO 9" HOLE CENTERS (SEE TABLE)
2	2	CLMP 00054 002	FORMED PIPE CLAMP - 3-1/2"Ø
3	4	HDWE 58051 0E0	1/2"Ø x 18" Lg. THREADED ROD
4	4	HDWE 05005 0E0	1/2"Ø FLATWASHER
5	8	HDWE 04003 0E0	1/2"Ø LOCKWASHER
6	8	HDWE 03003 0E0	1/2"Ø HEX NUT

PACKAGE No.	ANGLE W/ HOLE CENTERS	MAXIMUM TRUSS WIDTH
FITG TS SAND	5" - 9"	8"
FITG TS SAND-1117	11" - 17"	16"

SUPER STRUCTURE ATTACHMENTS

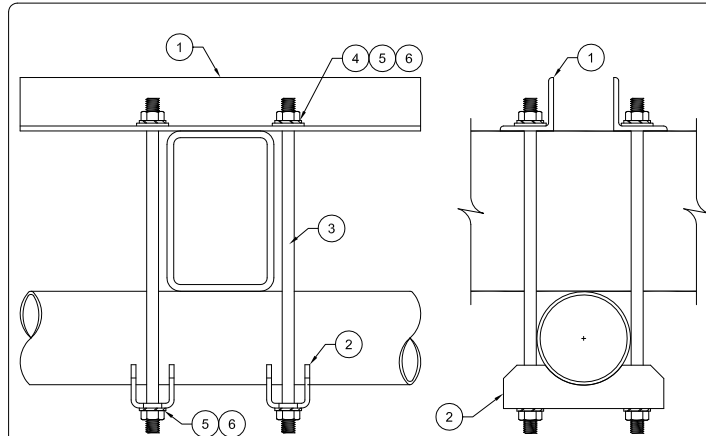


SANDWICH ATTACHMENT WITH SPACER PLATE
 PROVIDES CLEARANCE FOR PIPE FITTINGS

Required Parts For One (1) Complete SANDWICH ATTACHMENT w/ SPACER PLATE Assembly

Item #	Qty.	Part Number	Description
1	2	ANGL 00276 002	SUPPORT ANGLE-5" TO 9" (SEE TABLE)
2	2	PLTE 00280 000	DROP PLATE- 5" TO 9" CENTERS (SEE TABLE)
3	4	CLMP 00054 002	FORMED PIPE CLAMP - 3-1/2"Ø
4	4	HDWE 58051 000	1/2"Ø x 18" Lg. THREADED ROD
5	8	HDWE 05005 000	1/2"Ø FLATWASHER
6	16	HDWE 04003 000	1/2"Ø LOCKWASHER
7	16	HDWE 03003 000	1/2"Ø HEX NUT

PACKAGE No.	ANGLE W/ HOLE CENTERS	PLATE W/ HOLE CENTERS	MAXIMUM TRUSS WIDTH
FITG TS SAND 59	5" - 9"	5" - 9"	8"
FITG TS SAND 1117	11" - 17"	11" - 17"	16"



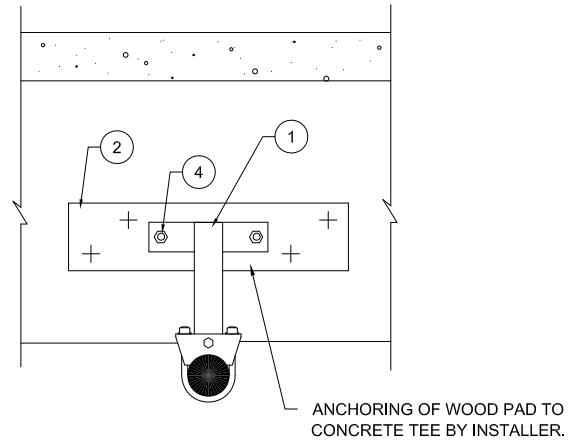
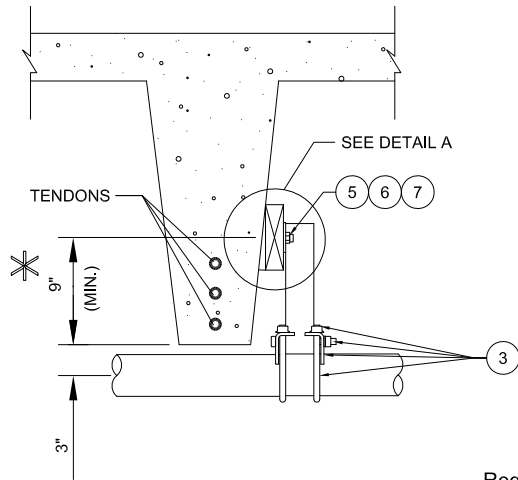
SANDWICH ATTACHMENT

Required Parts For One (1) Complete SANDWICH ASSEMBLY to tube steel

Item #	Qty.	Part Number	Description
1	2	ANGL 00276 002	SUPPORT ANGLE 5" TO 9" HOLE CENTERS (SEE TABLE)
2	2	CLMP 00054 002	FORMED PIPE CLAMP - 3-1/2"Ø
3	4	HDWE 58051 0E0	1/2"Ø x 18" Lg. THREADED ROD
4	4	HDWE 05005 0E0	1/2"Ø FLATWASHER
5	8	HDWE 04003 0E0	1/2"Ø LOCKWASHER
6	8	HDWE 03003 0E0	1/2"Ø HEX NUT

PACKAGE No.	ANGLE W/ HOLE CENTERS	MAXIMUM TRUSS WIDTH
FITG TS SAND	5" - 9"	8"
FITG TS SAND-1117	11" - 17"	16"

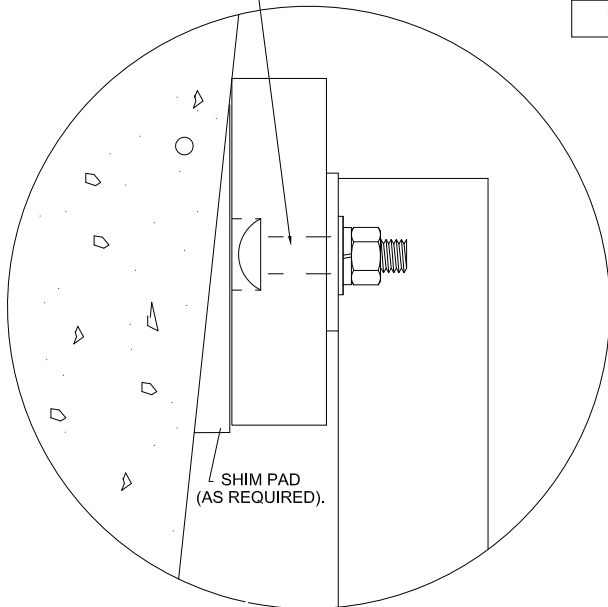
CONCRETE TEE ATTACHMENTS



Required Parts For One (1) Complete CONCRETE TEE Assembly

Item #	Qty.	Part Number	Description
1	1	DRPP S0012 _ _ _	DROP TUBE SIDE/WELD
2	1	XPAD 20602 00B	2 x 6 x 2'-0" Lg. WOOD PAD
3	1	XTEE 79001 002	3 1/2"Ø TO 2 3/8"Ø TEE ASSEMBLY
INCLUDES:			(2) FORMED TEE ANGLES
			(2) 3-1/2"Ø U-BOLT - 1/2"Ø
			(4) 1/2"Ø SERRATED FLANGE NUTS
			(1) 1/2"Ø x 5" Lg. HEX HEAD CAP SCREW GRADE 8
			(1) 1/2"Ø LOCKWASHER
			(1) 1/2"Ø HEX NUT
4	2	HDWE 02058 0P0	1/2"Ø x 2 1/4" Lg. CARRIAGE BOLT - GRADE 5
5	2	HDWE 04000 3E0	1/2"Ø LOCKWASHER
6	2	HDWE 05005 0E0	1/2"Ø FLATWASHER
7	2	HDWE 03003 0E0	1/2"Ø HEX NUT

DRILL AND COUNTERBORE PAD AS SHOWN TO A DEPTH OF 3/16" FOR CARRIAGE BOLT

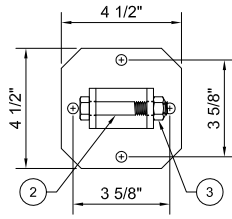
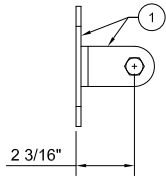


DETAIL A

⚠ WARNING

* **INSTALLER NOTE:** LOCATION OF TENDONS (STEEL RODS) PRE-CAST IN THE CONCRETE TEES MUST BE KNOWN BEFORE DRILLING ANCHOR LOCATIONS. FAILURE TO CONFIRM LOCATION OF THE TENDONS BEFORE DRILLING MAY COMPROMISE THE STRUCTURAL INTEGRITY OF THE TEE.

PLATE / HINGE ASSEMBLIES

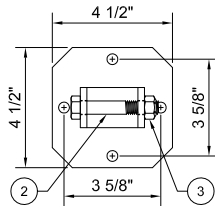
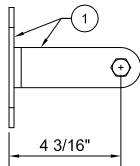


XHNG 21201 002

1 7/8" HINGE / PLATE ASSEMBLY - SHORT

Required Parts For One (1) Complete PLATE / HINGE WELD Assembly

Item #	Qty.	Part Number	Description
1	1	HING 00046 002	HINGE PLATE WELD- SHORT
2	1	HDWE 01140 0E0	1/2"Ø X 3" Lg. HEX HD CAP SCREW GRADE5
3	1	HDWE 03073 0E0	1/2"Ø CONVEX LOCKNUT GRADE C

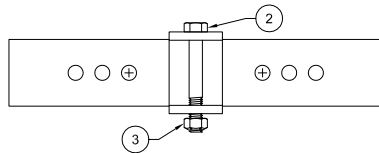
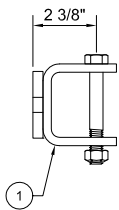


XHNG 21202 002

1 7/8" HINGE / PLATE ASSEMBLY - LONG

Required Parts For One (1) Complete PLATE / HINGE WELD Assembly

Item #	Qty.	Part Number	Description
1	1	HING 00047 002	HINGE PLATE WELD- LONG
2	1	HDWE 01140 0E0	1/2"Ø X 3" Lg. HEX HD CAP SCREW GRADE5
3	1	HDWE 03073 0E0	1/2"Ø CONVEX LOCKNUT GRADE C

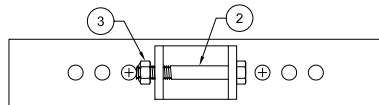
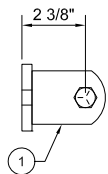


HNGP 00091 20P

2 3/8" HINGE / PLATE ASSEMBLY

Required Parts For One (1) Complete PLATE / HINGE WELD Assembly

Item #	Qty.	Part Number	Description
1	1		HINGE PLATE WELD - SHORT
INCLUDES:		PLTE 00280 000	DROP PLATE 5" TO 9" CENTERS
		HING 00045 000	2 3/8" HINGE - SHORT
2	1	HDWE 01175 0E0	1/2"Ø X 3 3/4" Lg. HEX HD CAP SCREW GR 5
3	1	HDWE 03073 0E0	1/2"Ø CONVEX LOCKNUT GRADE C



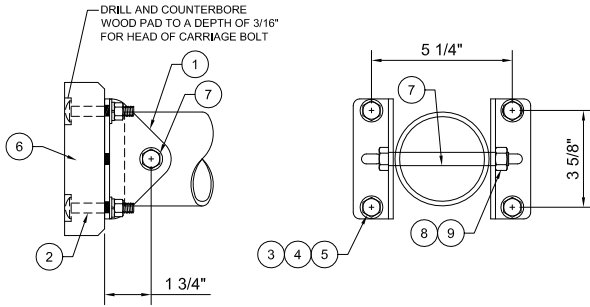
HNGP 00091 20R

2 3/8" HINGE / PLATE ASSEMBLY

Required Parts For One (1) Complete PLATE / HINGE WELD Assembly

Item #	Qty.	Part Number	Description
1	1		HINGE PLATE WELD - SHORT
INCLUDES:		PLTE 00280 000	DROP PLATE 5" TO 9" CENTERS
		HING 00045 000	2 3/8" HINGE - SHORT
2	1	HDWE 01175 0E0	1/2"Ø X 3 3/4" Lg. HEX HD CAP SCREW GR 5
3	1	HDWE 03073 0E0	1/2"Ø CONVEX LOCKNUT GRADE C

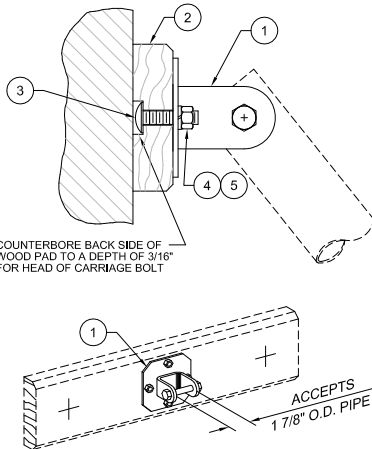
WALL ATTACHMENTS



3 1/2" HINGE ANGLE ASSEMBLY

Required Parts For One (1) Complete 3 1/2" PIPE TO WALL Assembly

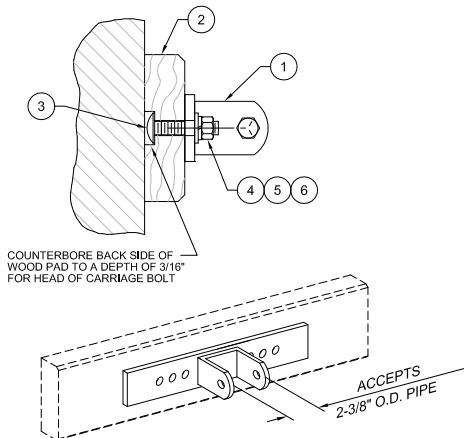
Item #	Qty.	Part Number	Description
1	2	XHNG 21211 002	HINGE ANGLE
2	4	HDWE 02057 0E0	3/8"Ø X 2 1/4" Lg. CARRIAGE BOLT GRADE5
3	4	HDWE 05004 0E0	3/8"Ø FLATWASHER
4	4	HDWE 04002 0E0	3/8"Ø LOCKWASHER
5	4	HDWE 03002 0E0	3/8"Ø HEX NUT
6	1	XPAD 20602 00B	2 X 6 WOOD PAD X 2'-0" Lg.
7	1	HDWE 01180 0E0	1/2"Ø X 5" Lg. HEX HD CAP SCREW GRADE 5
8	1	HDWE 04003 0E0	1/2"Ø LOCKWASHER
9	1	HDWE 03003 0E0	1/2"Ø HEX NUT



1 7/8" HINGE PLATE ASSEMBLY

Required Parts For One (1) Complete 1 7/8" PIPE TO WALL Assembly

Item #	Qty.	Part Number	Description
1	1	XHNG 21201 002	1 7/8" HINGE PLATE ASSEMBLY
INCLUDES:		HING 00046 002	(1) HINGE PLATE WELD - SHORT
		HDWE 01140 0E0	(1) 1/2"Ø X 3" Lg. HEX HD CAP SCREW GRADE 5
		HDWE 03073 0E0	(1) 1/2"Ø CONVEX LOCKNUT GRADE C
2	1	XPAD 20602 00B	2 X 6 WOOD PAD X 2'-0" Lg.
3	4	HDWE 02057 0E0	3/8"Ø X 2 1/4" Lg. CARRIAGE BOLT GRADE 5
4	4	HDWE 04002 0E0	3/8"Ø LOCKWASHER
5	4	HDWE 03002 0E0	3/8"Ø HEX NUT

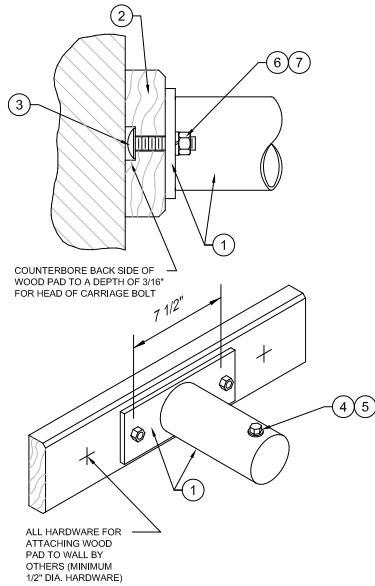


2 3/8" HINGE PLATE ASSEMBLY

Required Parts For One (1) Complete 2 3/8" PIPE TO WALL Assembly

Item #	Qty.	Part Number	Description
1	1	HNGP 00091 20R	2 3/8" HINGE/PLATE WELD ASSEMBLY
INCLUDES:		PLTE 00280 000	(1) DROP PLATE 5" TO 9" CENTERS
		HING 00045 000	(1) 2 3/8" HINGE - SHORT
		HDWE 01175 0E0	(1) 1/2"Ø X 3 3/4" Lg. HEX HD CAP SCREW GR 5
		HDWE 03073 0E0	(1) 1/2"Ø CONVEX LOCKNUT GRADE C
2	1	XPAD 20602 00B	2 X 6 WOOD PAD X 2'-0" Lg.
3	2	HDWE 02058 0E0	1/2"Ø X 2 1/4" Lg. CARRIAGE BOLT GRADE 5
4	2	HDWE 05005 0E0	1/2"Ø FLATWASHER
5	2	HDWE 04003 0E0	1/2"Ø LOCKWASHER
6	2	HDWE 03003 0E0	1/2"Ø HEX NUT

WALL ATTACHMENTS

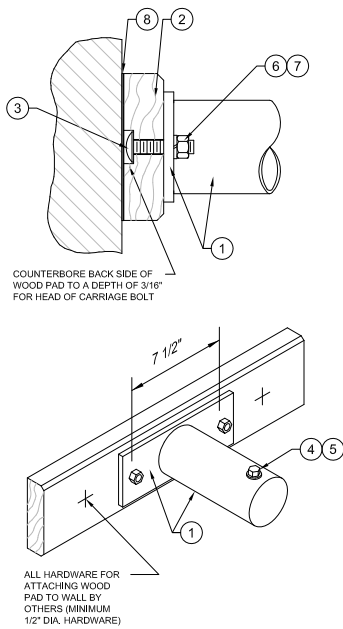


Required Parts For One (1) Complete 3-1/2" Ø PIPE TO WALL ATTACHMENT Assembly

Item #	Qty.	Part Number	Description
1	1	PLTE 00262 100	WALL MOUNTING PLATE SPLICE FOR 3 1/2 OD TUBE
2	1	XPAD 20602 00B	2 x 6 WOOD PAD x 2'-0"Lg.
3	2	HDWE 02058 0E0	1/2"Ø x 2-1/4"Lg. CARRIAGE BOLT
4	1	HDWE 01180 0E0	HEX CAP SCREW 1/2-13x5
5	1	HDWE 03073 0E0	CONVEX LOCKNUT-1/2-13 ALLMETAL GRADE C
6	2	HDWE 04003 0E0	1/2"Ø LOCKWASHER GRADE 5
7	2	HDWE 03003 0E0	1/2"Ø HEX NUT GRADE 5

FITG WS 001

3-1/2"Ø PIPE ATTACHMENT AT WALL



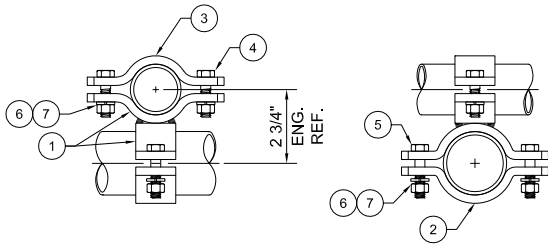
Required Parts For One (1) Complete 3-1/2" Ø PIPE TO WALL ATTACHMENT Assembly

Item #	Qty.	Part Number	Description
1	1	PLTE 00262 100	WALL MOUNTING PLATE SPLICE FOR 3 1/2 OD TUBE
2	1	XPAD 20802 00B	2 x 8 WOOD PAD x 2'-0"Lg.
3	2	HDWE 02042 0E0	1/2"Ø x 3"Lg. CARRIAGE BOLT GRADE 5
4	1	HDWE 01180 0E0	HEX CAP SCREW 1/2-13x5
5	1	HDWE 03073 0E0	CONVEX LOCKNUT-1/2-13 ALLMETAL GRADE C
6	2	HDWE 04003 0E0	1/2"Ø LOCKWASHER GRADE 5
7	2	HDWE 03003 0E0	1/2"Ø HEX NUT GRADE 5
8	1	ZMAT BP0802	PLYWOOD BACK-UP PAD 7 1/2" x 2'-0"

FITG WS 002

3-1/2"Ø PIPE ATTACHMENT AT WALL FOR DSA

INTERLOCKING CLAMPS

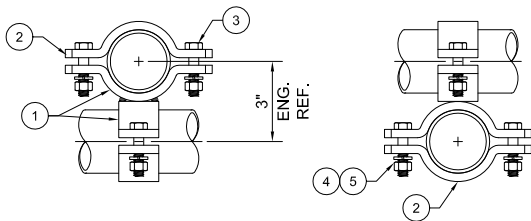


XCLP RA 20 10 0 2

2 3/8" TO 1 7/8" INTERLOCK ASSEMBLY

Required Parts For One (1) Complete INTERLOCK Assembly

Item #	Qty.	Part Number	Description
1	1		HALF CLAMP WELD
INCLUDES:		CLMP 00005 000	(1) 1 7/8" HALF CLAMP
		CLMP 00007 000	(1) 2 3/8" HALF CLAMP
2	1	CLMP 00007 002	2 3/8" HALF CLAMP - BLACK
3	1	CLMP 00005 002	1 7/8" HALF CLAMP - BLACK
4	2	HDWE 01202 0E0	3/8"Ø X 1 1/2" Lg. HEX HD CAP SCREW GRADE 5
5	2	HDWE 01204 0E0	3/8"Ø X 1 3/4" Lg. HEX HD CAP SCREW GRADE 5
6	1	HDWE 04002 0E0	3/8"Ø LOCKWASHER
7	2	HDWE 03002 0E0	3/8"Ø HEX NUT

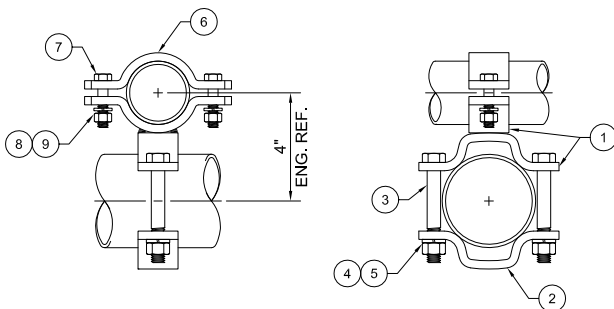


XCLP RA 20 20 0 2

2 3/8" TO 2 3/8" INTERLOCK ASSEMBLY

Required Parts For One (1) Complete INTERLOCK Assembly

Item #	Qty.	Part Number	Description
1	1		HALF CLAMP WELD
INCLUDES:		CLMP 00007 000	(2) 2 3/8" HALF CLAMPS
		CLMP 00007 002	2 3/8" HALF CLAMP - BLACK
2	2	CLMP 00007 002	2 3/8" HALF CLAMP - BLACK
3	4	HDWE 01204 0E0	3/8" Ø X 1 3/4" Lg. HEX HD CAP SCREW GRADE 5
4	4	HDWE 04002 0E0	3/8"Ø LOCKWASHER
5	4	HDWE 03002 0E0	3/8"Ø HEX NUT



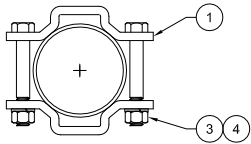
XCLP RA 30 20 0 2

3 1/2" TO 2 3/8" INTERLOCK ASSEMBLY

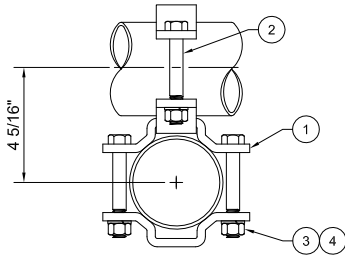
Required Parts For One (1) Complete INTERLOCK Assembly

Item #	Qty.	Part Number	Description
1	1		HALF CLAMP WELD
INCLUDES:		CLMP 00036 100	(1) 3 1/2" INTERLOCKING HALF CLAMP
		CLMP 00007 000	(1) 2 3/8" HALF CLAMP
2	1	CLMP 00036 102	3 1/2" INTERLOCKING HALF CLAMP - BLACK
3	2	HDWE 01175 0E0	1/2" Ø X 3 3/4" Lg. HEX HD CAP SCREW GRADE 5
4	2	HDWE 04003 0E0	1/2"Ø LOCKWASHER
5	2	HDWE 03003 0E0	1/2"Ø HEX NUT
6	1	CLMP 00007 002	2 3/8" HALF CLAMP - BLACK
7	2	HDWE 01204 0E0	3/8" Ø X 1 3/4" Lg. HEX HD CAP SCREW GRADE 5
8	2	HDWE 04002 0E0	3/8"Ø LOCKWASHER
9	2	HDWE 03002 0E0	3/8"Ø HEX NUT

INTERLOCKING CLAMPS



XCLP 00003 002



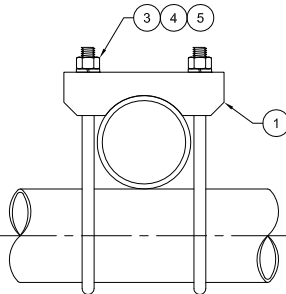
3 1/2" TO 3 1/2" INTERLOCK ASSEMBLY

Required Parts For One (1) INTERLOCK Assembly

Item #	Qty.	Part Number	Description
1	4	CLMP 00036 102	INTERLOCK HALF CLAMP- 3-1/2- BLACK
2	4	HDWE 01175 0E0	1/2"Ø X 3 3/4" Lg. HEX HD CAP SCREW GRADE 5
3	4	HDWE 03003 0E0	1/2" Ø HEX NUT
4	4	HDWE 01204 0E0	1/2"Ø X 3 3/4" Lg. HEX HD CAP SCREW GRADE 5

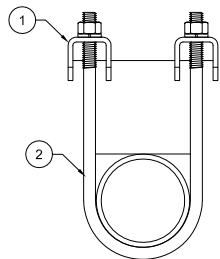
TORQUE SETTING: TIGHTEN TWO NUTS EVENLY TO A TORQUE SETTING OF 23 FT-LB

NOTE: TWO (2) OF XCLP 00003 002 ARE REQUIRED TO MAKE ONE (1) COMPLETE INTERLOCK



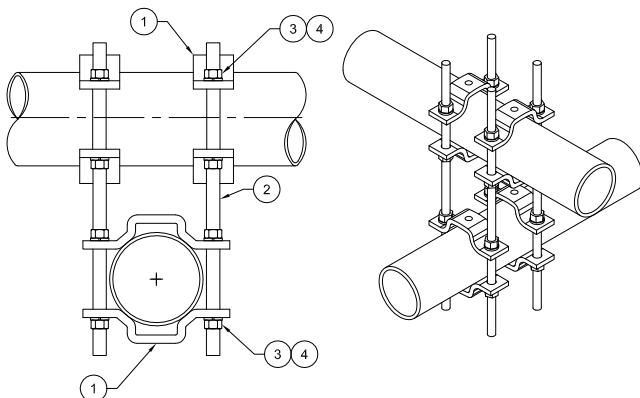
XFTG RA 33

3 1/2" TO 3 1/2" INTERLOCK ASSEMBLY



Required Parts For One (1) INTERLOCK Assembly

Item #	Qty.	Part Number	Description
1	2	CLMP 00054 002	INTERLOCK HALF CLAMP- 3-1/2- BLACK
2	2	UBOT 00023 000	1/2"Ø X 3 3/4" Lg. HEX HD CAP SCREW GRADE 5
3	4	HDWE 03003 0E0	1/2" Ø HEX NUT
4	4	HDWE 04003 0E0	1/2" Ø LOCKWASHER
5	4	HDWE 05005 0E0	1/2" Ø FLATWASHER



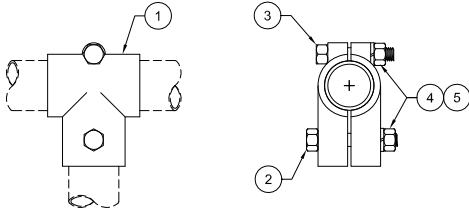
XFTG 33 DROP

3 1/2" TO 3 1/2" INTERLOCK ASSEMBLY

Required Parts For One (1) INTERLOCK Assembly

Item #	Qty.	Part Number	Description
1	8	CLMP 00036 102	INTERLOCK HALF CLAMP- 3-1/2- BLACK
2	4	HDWE 58051 000	1/2" Ø x 18" Lg. THREADED ROD
3	16	HDWE 03003 0E0	1/2" Ø HEX NUT
4	16	HDWE 04003 0E0	1/2"Ø LOCKWASHER

TEE FITTINGS

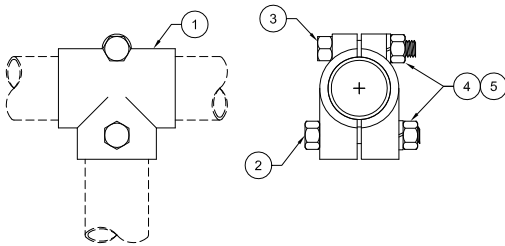


XTEE 81701 002

1 7/8" TO 1 7/8" TEE ASSEMBLY

Required Parts For One (1) TEE Assembly

Item #	Qty.	Part Number	Description
1	2	TEES 00012 002	TEE CASTING- 1-7/8IN TO 1-7/8IN- BLACK
2	1	HDWE 01164 0E0	1/2"Ø X 2 1/2" Lg. HEX HD CAP SCREW GRADE 5
3	1	HDWE 01140 0E0	1/2"Ø X 3" Lg. HEX HD CAP SCREW GRADE 5
4	2	HDWE 03003 0E0	1/2"Ø HEX NUT
5	2	HDWE 04003 0E0	1/2"Ø LOCKWASHER

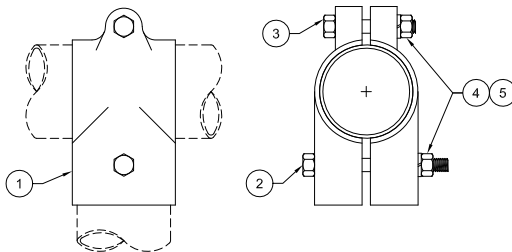


XTEE 83300 002

2 3/8" TO 2 3/8" TEE ASSEMBLY

Required Parts For One (1) TEE Assembly

Item #	Qty.	Part Number	Description
1	2	TEES 00007 002	TEE CASTING- 2-3/8IN TO 2-3/8IN- BLACK
2	1	HDWE 01164 0E0	1/2"Ø X 3 1/2" Lg. HEX HD CAP SCREW GRADE 5
3	1	HDWE 01166 0E0	1/2"Ø X 2 3/4" Lg. HEX HD CAP SCREW GRADE 5
4	2	HDWE 03003 0E0	1/2"Ø HEX NUT
5	2	HDWE 04003 0E0	1/2"Ø LOCKWASHER

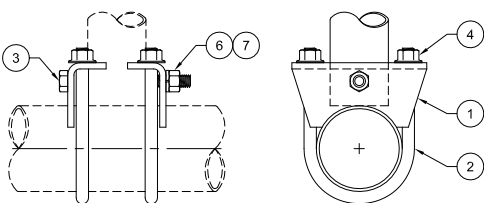


XTEE 81600 002

3 1/2" TO 3 1/2" TEE ASSEMBLY

Required Parts For One (1) TEE Assembly

Item #	Qty.	Part Number	Description
1	2	TEES 00003 002	TEE CASTING- 3-1/2" TO 3-1/2"- BLACK
2	1	HDWE 01180 0E0	1/2"Ø X 5" Lg. HEX HD CAP SCREW GRADE 5
3	1	HDWE 01149 0E0	1/2"Ø X 3 1/2" Lg. HEX HD CAP SCREW GRADE 5
4	2	HDWE 03003 0E0	1/2"Ø HEX NUT
5	2	HDWE 04003 0E0	1/2"Ø LOCKWASHER



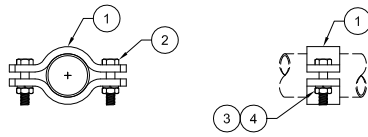
XTEE 79001 002

3 1/2" TO 2 3/8" TEE ASSEMBLY

Required Parts For One (1) TEE Assembly

Item #	Qty.	Part Number	Description
1	2	CLMP 00055 002	3 TO 2 FORMED ANGLE
2	2	UBOT 00005 000	3-1/2" DIA U-BOLT- 1/2-13 X6-1/4" LG
3	1	HDWE 01110 000	1/2"Ø X 5" Lg. HEX HD CAP SCREW GRADE 8
4	4	HDWE 03061 0E0	SERRATED FLANGE NUT- 1/2-13
5	1	HDWE 03003 0E0	1/2"Ø HEX NUT
6	1	HDWE 04003 0E0	1/2"Ø LOCKWASHER

HALF CLAMPS AND PARALLEL HANGERS

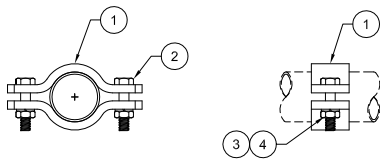


XCLP 00005 002

1 5/8" Ø PIPE CLAMP

Required Parts For One (1) HALF CLAMP Assembly

Item #	Qty.	Part Number	Description
1	2	CLMP 00022 102	HALF CLAMP 1-5/8"- BLACK
2	2	HDWE 01202 0E0	3/8"Ø X 1 1/2" Lg. HEX HD CAP SCREW GRADE 5
3	2	HDWE 03002 0E0	3/8"Ø HEX NUT
4	2	HDWE 04002 0E0	3/8"Ø LOCKWASHER

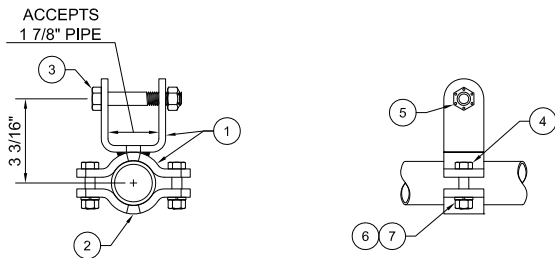


XCLP 00001 002

1 7/8" Ø PIPE CLAMP

Required Parts For One (1) HALF CLAMP Assembly

Item #	Qty.	Part Number	Description
1	2	CLMP 00005 002	HALF CLAMP 1-7/8"- BLACK
2	2	HDWE 01202 0E0	3/8"Ø X 1 1/2" Lg. HEX HD CAP SCREW GRADE 5
3	2	HDWE 03002 0E0	3/8"Ø HEX NUT
4	2	HDWE 04002 0E0	3/8"Ø LOCKWASHER

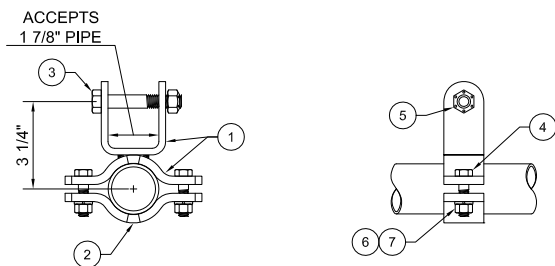


XHNG 0510P 002

1 5/8" TO 1 7/8" PARALLEL HANGER

Required Parts For One (1) Complete PARALLEL HANGER Assembly

Item #	Qty.	Part Number	Description
1	1	HING 00120 002	HINGE WELD 1-5/8IN TO 1-7/8IN
2	1	CLMP 00022 002	HALF CLAMP 1-5/8"- BLACK
3	2	HDWE 01140 0E0	1/2"Ø X 3" Lg. HEX HD CAP SCREW GRADE5
4	1	HDWE 01202 0E0	3/8"Ø X 1 1/2" Lg. HEX HD CAP SCREW GRADE5
5	3	HDWE 03073 0E0	1/2"Ø CONVEX LOCKNUT GRADE C
6	3	HDWE 03002 0E0	3/8"Ø HEX NUT
7	3	HDWE 04002 0E0	3/8"Ø LOCKWASHER



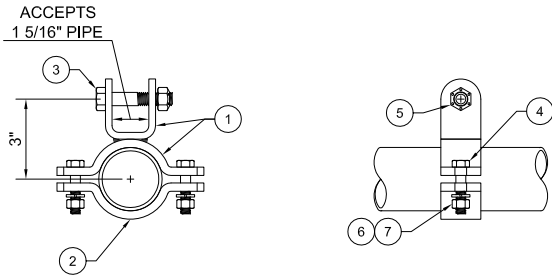
XHNG 1010P 002

1 7/8" TO 1 7/8" PARALLEL HANGER

Required Parts For One (1) Complete PARALLEL HANGER Assembly

Item #	Qty.	Part Number	Description
1	1	HING 00106 002	HINGE WELDMENT- 1 7/8" TO 1 7/8"
2	1	CLMP 00005 002	HALF CLAMP- 1-7/8"- BLACK
3	2	HDWE 01140 0E0	1/2"Ø X 3" Lg. HEX HD CAP SCREW GRADE5
4	1	HDWE 01202 0E0	3/8"Ø X 1 1/2" Lg. HEX HD CAP SCREW GRADE5
5	3	HDWE 03073 0E0	1/2"Ø CONVEX LOCKNUT GRADE C
6	3	HDWE 03002 0E0	3/8"Ø HEX NUT
7	3	HDWE 04002 0E0	3/8"Ø LOCKWASHER

PARALLEL HANGERS

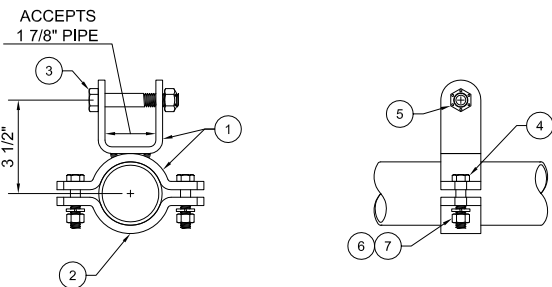


XHNG 2005P 102

2 3/8" TO 1 5/16" PARALLEL HANGER

Required Parts For One (1) Complete PARALLEL HANGER Assembly

Item #	Qty.	Part Number	Description
1	1		HALF CLAMP/ HINGE WELD
INCLUDES:		HING 00003 000	(1) 1-5/16" HINGE- SHORT
		CLMP 00007 000	(1) 2 3/8" HALF CLAMP
2	1	CLMP 00007 002	2 3/8" HALF CLAMP - BLACK
3	1	HDWE 01164 0E0	1/2"Ø X 2 1/2" Lg. HEX HD CAP SCREW GRADE5
4	2	HDWE 01204 0E0	3/8"Ø X 1 3/4" Lg. HEX HD CAP SCREW GRADE5
5	1	HDWE 03073 0E0	1/2"Ø CONVEX LOCKNUT GRADE C
6	2	HDWE 03002 0E0	3/8"Ø HEX NUT
7	2	HDWE 04002 0E0	3/8"Ø LOCKWASHER

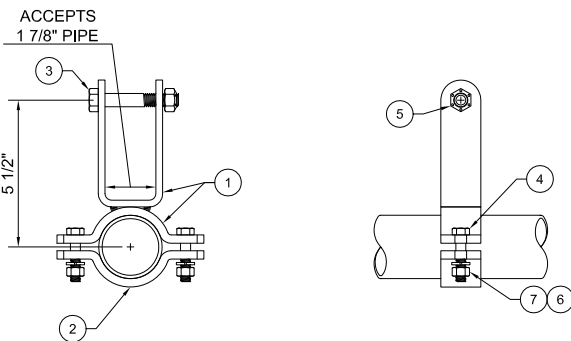


XHNG 51300 002

2 3/8" TO 1 7/8" PARALLEL HANGER SHORT

Required Parts For One (1) Complete PARALLEL HANGER Assembly

Item #	Qty.	Part Number	Description
1	1		HALF CLAMP/ HINGE WELD
INCLUDES:		HING 00009 000	(1) 1-7/8" HINGE- SHORT
		CLMP 00007 000	(1) 2 3/8" HALF CLAMP
2	1	CLMP 00007 002	2 3/8" HALF CLAMP - BLACK
3	1	HDWE 01140 0E0	1/2"Ø X 3" Lg. HEX HD CAP SCREW GRADE5
4	2	HDWE 01204 0E0	3/8"Ø X 1 3/4" Lg. HEX HD CAP SCREW GRADE5
5	1	HDWE 03073 0E0	1/2"Ø CONVEX LOCKNUT GRADE C
6	2	HDWE 03002 0E0	3/8"Ø HEX NUT
7	2	HDWE 04002 0E0	3/8"Ø LOCKWASHER



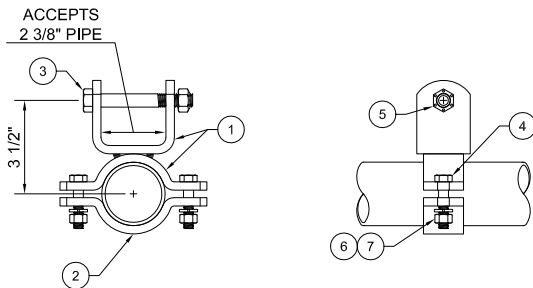
XHNG 201LP 102

2 3/8" TO 1 7/8" PARALLEL LONG

Required Parts For One (1) Complete PARALLEL HANGER Assembly

Item #	Qty.	Part Number	Description
1	1		HALF CLAMP/ HINGE WELD
INCLUDES:		HING 00025 000	1-7/8" HINGE- LONG
		CLMP 00007 000	(1) 2 3/8" HALF CLAMP
2	1	CLMP 00007 002	2 3/8" HALF CLAMP - BLACK
3	1	HDWE 01140 0E0	1/2"Ø X 3" Lg. HEX HD CAP SCREW GRADE5
4	2	HDWE 01204 0E0	3/8"Ø X 1 3/4" Lg. HEX HD CAP SCREW GRADE5
5	1	HDWE 03073 0E0	1/2"Ø CONVEX LOCKNUT GRADE C
6	2	HDWE 03002 0E0	3/8"Ø HEX NUT
7	2	HDWE 04002 0E0	3/8"Ø LOCKWASHER

PARALLEL HANGERS AND RIGHT ANGLE HANGERS

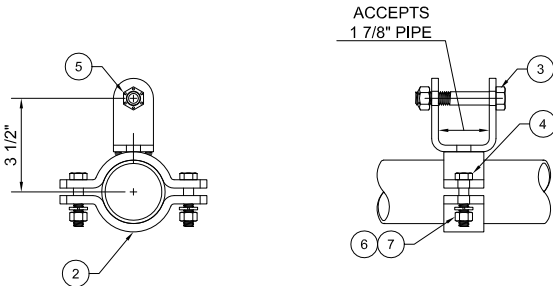


XHNG 2020P 102

2 3/8" TO 2 3/8" PARALLEL HANGER

Required Parts For One (1) Complete PARALLEL HANGER Assembly

Item #	Qty.	Part Number	Description
1	1		HALF CLAMP/ HINGE WELD
INCLUDES:		HING 00045 000	(1) 2-3/8IN HINGE- SHORT
		CLMP 00007 000	(1) 2 3/8" HALF CLAMP
2	1	CLMP 00007 002	2 3/8" HALF CLAMP - BLACK
3	1	HDWE0 1175 0E0	1/2"Ø X 3 3/4" Lg. HEX HD CAP SCREW GRADE5
4	2	HDWE 01204 0E0	3/8"Ø X 1 3/4" Lg. HEX HD CAP SCREW GRADE5
5	1	HDWE 03073 0E0	1/2"Ø CONVEX LOCKNUT GRADE C
6	2	HDWE 03002 0E0	3/8"Ø HEX NUT
7	2	HDWE 04002 0E0	3/8"Ø LOCKWASHER

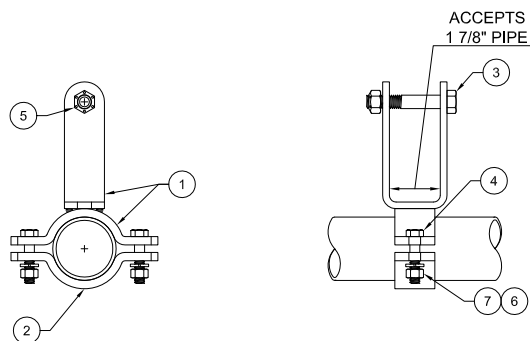


XHNG 2010R 102

2 3/8" TO 1 7/8" RIGHT ANGLE HANGER SHORT

Required Parts For One (1) Complete PARALLEL HANGER Assembly

Item #	Qty.	Part Number	Description
1	1		HALF CLAMP/ HINGE WELD
INCLUDES:		HING 00009 000	(1) 1-7/8" HINGE- SHORT
		CLMP 00007 000	(1) 2 3/8" HALF CLAMP
2	1	CLMP 00007 002	2 3/8" HALF CLAMP - BLACK
3	1	HDWE 01140 0E0	1/2"Ø X 3" Lg. HEX HD CAP SCREW GRADE5
4	2	HDWE 01204 0E0	3/8"Ø X 1 3/4" Lg. HEX HD CAP SCREW GRADE5
5	1	HDWE 03073 0E0	1/2"Ø CONVEX LOCKNUT GRADE C
6	2	HDWE 03002 0E0	3/8"Ø HEX NUT
7	2	HDWE 04002 0E0	3/8"Ø LOCKWASHER



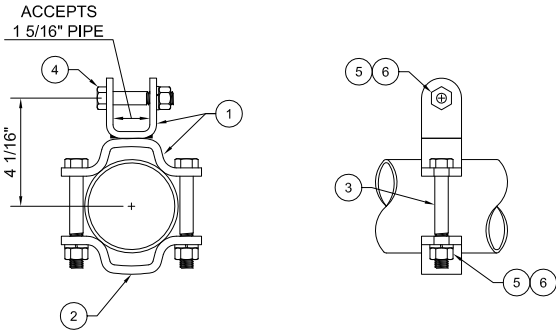
XHNG 201LP 102

2 3/8" TO 1 7/8" RIGHT ANGLE HANGER LONG

Required Parts For One (1) Complete PARALLEL HANGER Assembly

Item #	Qty.	Part Number	Description
1	1		HALF CLAMP/ HINGE WELD
INCLUDES:		HING 00025 000	1-7/8" HINGE- LONG
		CLMP 00007 000	(1) 2 3/8" HALF CLAMP
2	1	CLMP 00007 002	2 3/8" HALF CLAMP - BLACK
3	1	HDWE 01140 0E0	1/2"Ø X 3" Lg. HEX HD CAP SCREW GRADE5
4	2	HDWE 01204 0E0	3/8"Ø X 1 3/4" Lg. HEX HD CAP SCREW GRADE5
5	1	HDWE 03073 0E0	1/2"Ø CONVEX LOCKNUT GRADE C
6	2	HDWE 03002 0E0	3/8"Ø HEX NUT
7	2	HDWE 04002 0E0	3/8"Ø LOCKWASHER

PARALLEL HANGERS

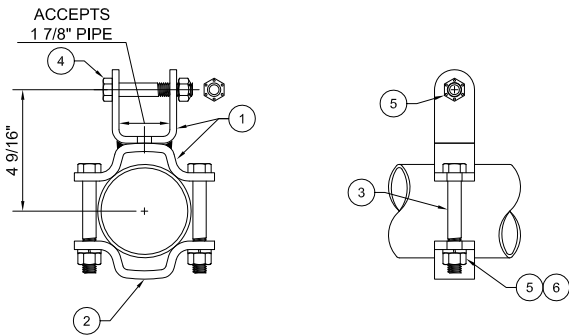


XHNG 3005P 002

3 1/2" TO 1 5/16" PARALLEL HANGER

Required Parts For One (1) Complete PARALLEL HANGER Assembly

Item #	Qty.	Part Number	Description
1	1	HING 00028 002	HINGE WELDMENT- 3-1/2" TO 1-5/16"
2	1	CLMP 00036 102	INTERLOCK HALF CLAMP- 3-1/2- BLACK
3	2	HDWE 01175 0E0	1/2"Ø X 3 3/4" Lg. HEX HD CAP SCREW GRADE5
4	1	HDWE 01166 0E0	1/2"Ø X 2 3/4" Lg. HEX HD CAP SCREW GRADE5
5	3	HDWE 03003 0E0	1/2"Ø HEX NUT
6	3	HDWE 04003 0E0	1/2"Ø LOCKWASHER

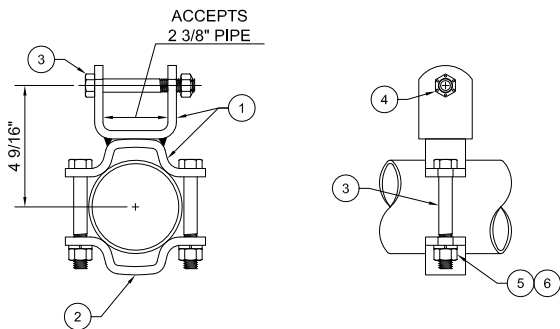


XHNG 3010P 002

3 1/2" TO 1 7/8" PARALLEL HANGER

Required Parts For One (1) Complete PARALLEL HANGER Assembly

Item #	Qty.	Part Number	Description
1	1	HING 00049 002	PARALLEL HANGER WELD- 3-1/2" TO 1-7/8"
2	1	CLMP 00036 102	INTERLOCK HALF CLAMP- 3-1/2- BLACK
3	2	HDWE 01175 0E0	1/2"Ø X 3 3/4" Lg. HEX HD CAP SCREW GRADE5
4	1	HDWE 01140 0E0	1/2"Ø X 3" Lg. HEX HD CAP SCREW GRADE5
5	3	HDWE 03073 0E0	1/2"Ø CONVEX LOCKNUT GRADE C
5	3	HDWE 03003 0E0	1/2"Ø HEX NUT
6	3	HDWE 04003 0E0	1/2"Ø LOCKWASHER



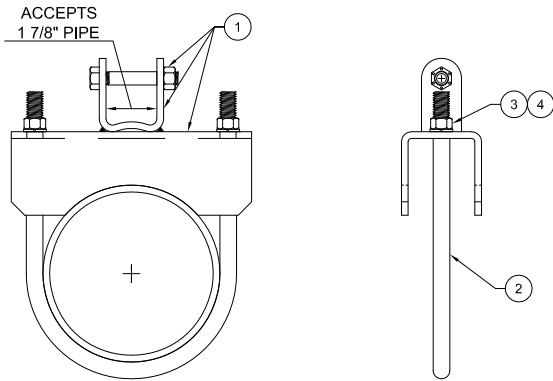
XHNG 3020P 002

3 1/2" TO 2 3/8" PARALLEL HANGER

Required Parts For One (1) Complete PARALLEL HANGER Assembly

Item #	Qty.	Part Number	Description
1	1	HING 00053 002	PARALLEL HANGER WELD- 3-1/2" TO 2-3/8"
2	1	CLMP 00036 102	INTERLOCK HALF CLAMP- 3-1/2- BLACK
3	3	HDWE 01175 0E0	1/2"Ø X 3 3/4" Lg. HEX HD CAP SCREW GRADE5
4	3	HDWE 03073 0E0	1/2"Ø CONVEX LOCKNUT GRADE C
5	3	HDWE 03003 0E0	1/2"Ø HEX NUT
6	3	HDWE 04003 0E0	1/2"Ø LOCKWASHER

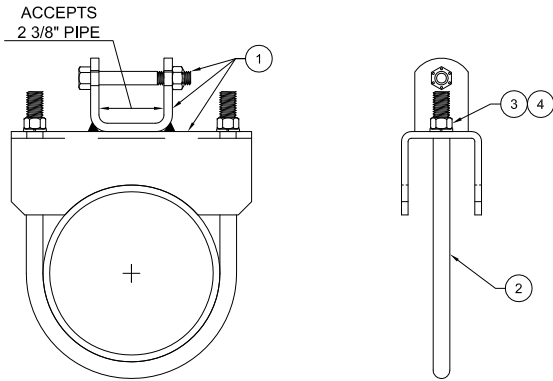
PARALLEL HANGERS



BRACE HANGER FOR 1 7/8" PIPE

Required Parts For One (1) Complete PARALLEL HANGER Assembly

Item #	Qty.	Part Number	Description
1	1	XHNG 91300 002	BRACE HANGER- 6 5/8" TO 1 7/8"
INCLUDES:			HING 00026 002 BRACE HANGER WELD
			HDWE 01140 0E0 1/2"Ø X 3" Lg. HEX HD CAP SCREW GRADE5
			HDWE 03073 0E0 CONVEX LOCKNUT- 1/2-13 GRADE C
2	1	UBOT 00006 0E2	6 5/8" DIA U-BOLT- 5/8-11
3	1	HDWE 04006 0E0	5/8"Ø LOCKWASHER
4	2	HDWE 03012 0E0	5/8"Ø HEX NUT



BRACE HANGER FOR 2 3/8" PIPE

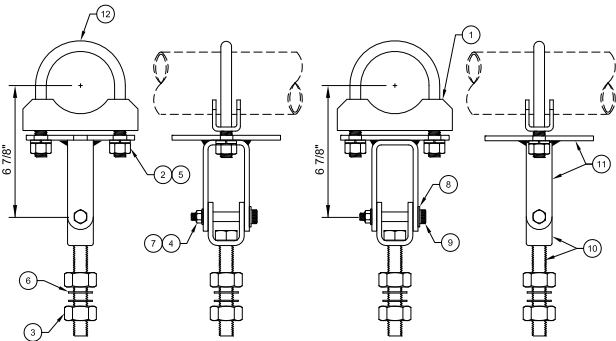
Required Parts For One (1) Complete PARALLEL HANGER Assembly

Item #	Qty.	Part Number	Description
1	1	XHNG 91301 002	BRACE HANGER- 6 5/8" TO 2 3/8"
INCLUDES:			HING 00076 002 BRACE HANGER WELD
			HDWE 01175 0E0 1/2"Ø X 3 3/4" Lg. HEX HD CAP SCREW GRADE5
			HDWE 03073 0E0 CONVEX LOCKNUT- 1/2-13 GRADE C
2	1	UBOT 00006 0E2	6 5/8" DIA U-BOLT- 5/8-11
3	1	HDWE 04006 0E0	5/8"Ø LOCKWASHER
4	2	HDWE 03012 0E0	5/8"Ø HEX NUT

MAST AND BRACE HANGERS

RIGHT ANGLE ASSEMBLY

PARALLEL ASSEMBLY

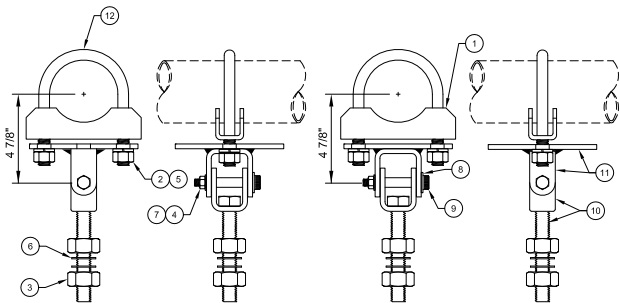


XHNG 50405 002

ADJUSTABLE MAST HANGER ASSEMBLY (LONG)

Required Parts For One (1) Complete MAST HANGER Assembly

Item #	Qty.	Part Number	Description
1	1	CLMP 00054 002	FORMED PIPE CLAMP 3 1/2"Ø
2	2	HDWE 03012 0E0	5/8"Ø HEX NUT
3	2	HDWE 03014 0E0	3/4" Ø HEX NUT
4	1	HDWE 03072 0E0	3/8"Ø CONVEX LOCKNUT GRADE C
5	2	HDWE 04006 0E0	5/8"Ø LOCKWASHER
6	2	HDWE 04016 0E0	3/4"Ø INTERNAL TOOTH LOCKWASHER
7	1	HDWE 05004 0E0	3/8"Ø FLATWASHER
8	1	HDWE 05005 0E0	1/2"Ø FLATWASHER
9	1	HDWE 09046 000	1/2"Ø X 2 1/2" Lg. SHOULDER BOLT
10	1	HING 00024 002	ADJUSTABLE HINGE STUD WELDMENT
11	1	HING 00117 002	HINGE / PLATE WELD - LONG
12	1	UBOT 00117 002	5/8"Ø U-BOLT

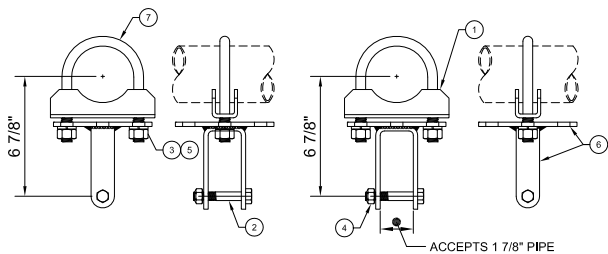


XHNG 50415 002

ADJUSTABLE MAST HANGER ASSEMBLY (SHORT)

Required Parts For One (1) Complete MAST HANGER Assembly

Item #	Qty.	Part Number	Description
1	1	CLMP 00054 002	FORMED PIPE CLAMP 3 1/2"Ø
2	2	HDWE 03012 0E0	5/8"Ø HEX NUT
3	2	HDWE 03014 0E0	3/4" Ø HEX NUT
4	1	HDWE 03072 0E0	3/8"Ø CONVEX LOCKNUT GRADE C
5	2	HDWE 04006 0E0	5/8"Ø LOCKWASHER
6	2	HDWE 04016 0E0	3/4"Ø INTERNAL TOOTH LOCKWASHER
7	1	HDWE 05004 0E0	3/8"Ø FLATWASHER
8	1	HDWE 05005 0E0	1/2"Ø FLATWASHER
9	1	HDWE 09046 000	1/2"Ø X 2 1/2" Lg. SHOULDER BOLT
10	1	HING 00024 002	ADJUSTABLE HINGE STUD WELDMENT
11	1	HING 00117 002	HINGE / PLATE WELD - LONG
12	1	UBOT 00117 002	5/8"Ø U-BOLT



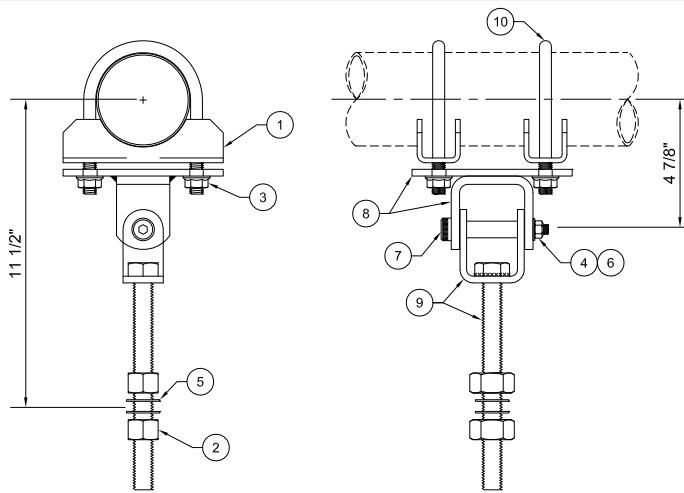
XHNG 50605 002

BRACE HANGER ASSEMBLY (LONG)

Required Parts For One (1) Complete BRACE HANGER Assembly

Item #	Qty.	Part Number	Description
1	1	CLMP 00054 002	FORMED PIPE CLAMP 3 1/2"Ø
2	2	HDWE 01140 0E0	1/2"Ø X 3" Lg. HEX HD CAP SCREW GRADE 5
3	2	HDWE 03012 0E0	5/8"Ø HEX NUT
4	1	HDWE 03073 0E0	1/2"Ø CONVEX LOCKNUT GRADE C
5	2	HDWE 04006 0E0	5/8"Ø LOCKWASHER
6	2	HING 00117 002	HINGE / PLATE WELD - LONG
7	1	UBOT 00019 000	5/8"Ø U-BOLT

MAST AND BRACE HANGERS

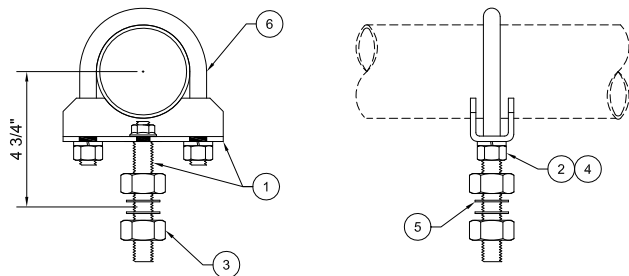


XHNG 50401 002

**ADJUSTABLE MAST HANGER ASSEMBLY
"W" SERIES**

Required Parts For One (1) Complete MAST HANGER Assembly

Item #	Qty.	Part Number	Description
1	2	CLMP 00054 002	FORMED PIPE CLAMP - 3 1/2"
2	2	HDWE 03014 0E0	3/4"Ø HEX NUT
3	4	HDWE 03061 0E0	1/2"Ø SERRATED FLANGE NUT
4	1	HDWE 03072 0E0	3/8"Ø CONVEX LOCKNUT GRADE C
5	2	HDWE 04016 0E0	3/4"Ø INTERNAL TOOTH LOCKWASHER
6	1	HDWE 05004 0E0	3/8"Ø FLATWASHER
7	1	HDWE 09023 000	1/2"Ø SHOULDER BOLT
8	1	HING 00102 002	HANGER WELDMENT
9	1	HING 00109 002	HINGE / STUD WELD
10	2	UBOT 00015 000	1/2"Ø U-BOLT

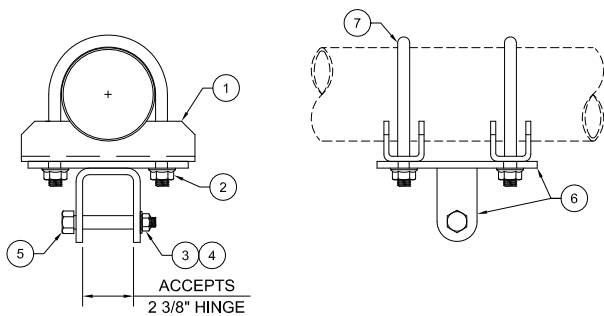


XHNG 92601 002

**DIRECT MOUNT MAST HANGER ASSEMBLY
(FOR STATIONARY UNITS WITH LEVEL STRUCTURE ONLY)**

Required Parts For One (1) Complete MAST HANGER Assembly

Item #	Qty.	Part Number	Description
1	1	CLMP 00063 002	CLAMP / STUD WELD
2	2	HDWE 03012 0E0	5/8"Ø HEX NUT
3	2	HDWE 03014 0E0	3/4"Ø HEX NUT
4	2	HDWE 04006 0E0	5/8"Ø LOCKWASHER
5	2	HDWE 04016 0E0	3/4"Ø INTERNAL TOOTH LOCKWASHER
6	1	UBOT 00019 000	5/8"Ø U-BOLT



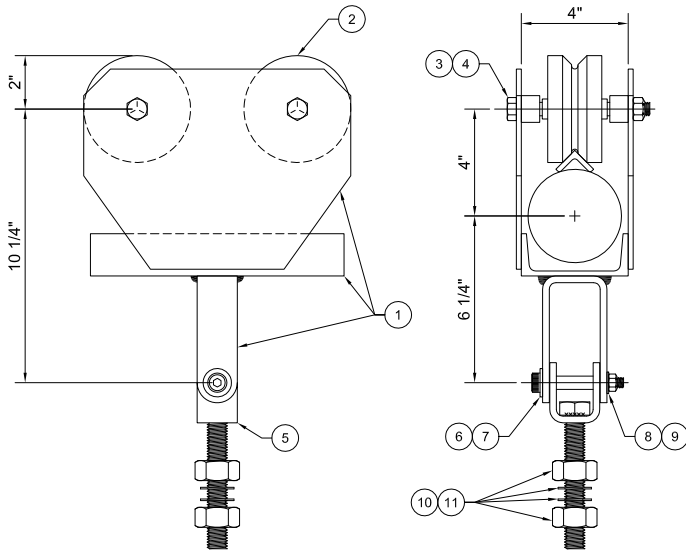
XHNG 50301 002

BRACE HANGER ASSEMBLY ("W" SERIES)

Required Parts For One (1) Complete BRACE HANGER Assembly

Item #	Qty.	Part Number	Description
1	2	CLMP 00054 002	FORMED PIPE CLAMP - 3-1/2"
2	4	HDWE 03061 0E0	1/2"Ø SERRATED FLANGE NUT
3	4	HDWE 03072 0E0	3/8"Ø CONVEX LOCKNUT GRADE C
4	1	HDWE 05004 0E0	3/8"Ø FLATWASHER
5	2	HDWE 09023 000	1/2"Ø SHOULDER BOLT
6	1	HING 00102 002	HANGER WELDMENT
7	1	UBOT 00019 000	5/8"Ø U-BOLT

MAST AND BRACE HANGERS



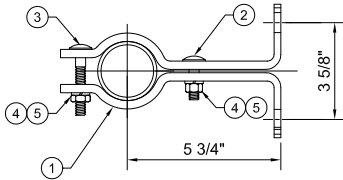
XHNG 50451 002

MAST HANGER ASSEMBLY
FOR "951" STYLE BACKSTOPS

Required Parts For One (1) Complete MAST HANGER Assembly

Item #	Qty.	Part Number	Description
1	1	HING 00126 002	ROLLING CARRIER WELDMENT
2	2	CSTR 00040 000	V-GROOVED WHEEL
3	2	HDWE 01180 0P0	1/2" x 5" Lg. HEX HEAD CAP SCREW (GR 5)
4	2	HDWE 03073 0E0	1/2"Ø ALL METAL CONVEX LOCKNUT (GR C)
5	1	HING 00024 002	HINGE / STUD WELMENT
6	1	HDWE 09046 000	1/2" x 2 1/2" Lg. SHOULDER BOLT
7	1	HDWE 05005 0E0	1/2" FLATWASHER
8	1	HDWE 05004 0E0	3/8" FLATWASHER
9	1	HDWE 03072 0E0	3/8"Ø ALL METAL CONVEX LOCKNUT (GR C)
10	2	HDWE 04016 0E0	3/4" INTERNAL TOOTH LOCKWASHER
11	2	HDWE 03014 000	3/4" HEX NUT

BANK EXTENSION CLAMPS

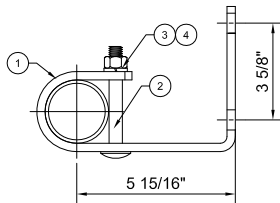


XEXT 51500 002

NO. 500 LINE BANK EXTENSION

Required Parts For One (1) Complete 500 LINE BANK EXTENSION Assembly

Item #	Qty.	Part Number	Description
1	2	EXTN 00019 002	(2) FORMED BANK EXTENSION CLAMP
2	1	HDWE 02013 000	(1) 3/8"Ø x 1-1/4"Lg. CARRIAGE BOLT
3	1	HDWE 02057 0E0	(1) 3/8"Ø x 2-1/4"Lg. CARRIAGE BOLT
4	2	HDWE 04002 0E0	(2) 3/8"Ø LOCKWASHER
5	2	HDWE 03002 0E0	(2) 3/8"Ø HEX NUT

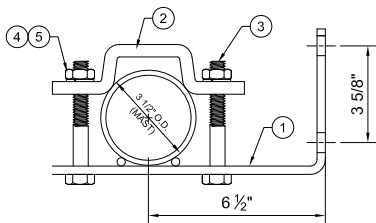


XEXT 61501 002

NO. 600 LINE FORMED BANK EXTENSION ASSEMBLY

Required Parts For One (1) Complete 600 LINE FORMED BANK EXTENSION Assembly

Item #	Qty.	Part Number	Description
1	1	EXTN 00047 002	(1) FORMED BANK EXTENSION CLAMP
2	1	HDWE 02078 000	(1) 1/2"Ø x 4"Lg. CARRIAGE BOLT GRADE 5
3	1	HDWE 04003 0E0	(1) 1/2"Ø LOCKWASHER
4	1	HDWE 03003 0E0	(1) 1/2"Ø HEX NUT

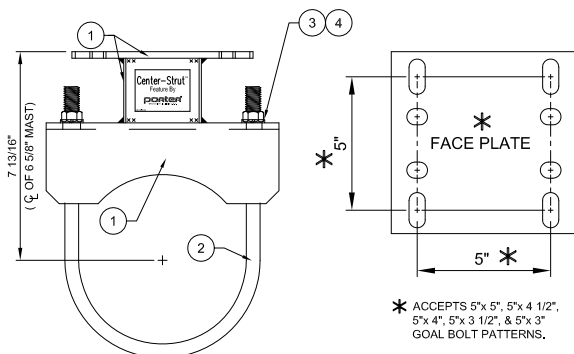


XEXT 14151 002

NO. 1400 LINE BANK EXTENSION CLAMP

Required Parts For One (1) Complete 1400 LINE BANK EXTENSION CLAMP Assembly.

Item #	Qty.	Part Number	Description
1	1	EXTN 00080 002	FORMED BANK EXTENSION WELD
2	1	CLMP 00036 102	INTERLOCK HALF CLAMP
3	2	HDWE 01178 0E0	1/2"Ø x 4-1/2"Lg. HEX HEAD CAP SCREW GR.5
4	2	HDWE 04003 0E0	1/2"Ø LOCKWASHER
5	2	HDWE 03003 0E0	1/2"Ø HEX NUT

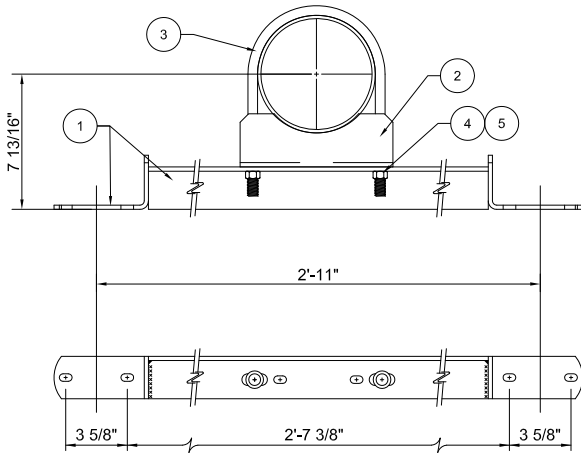


NO. 900 LINE CENTER-STRUT WELDMENT

Required Parts For One (1) Complete CENTER-STRUT WELDMENT Assembly

Item #	Qty.	Part Number	Description
1	1	XEXT 90004 002	CENTER-STRUT WELDMENT
2	1	UBOT 00006 0E2	6-5/8"Ø U-BOLT - 5/8"Ø
3	2	HDWE 04006 000	5/8"Ø LOCKWASHER
4	2	HDWE 03012 000	5/8"Ø HEX NUT

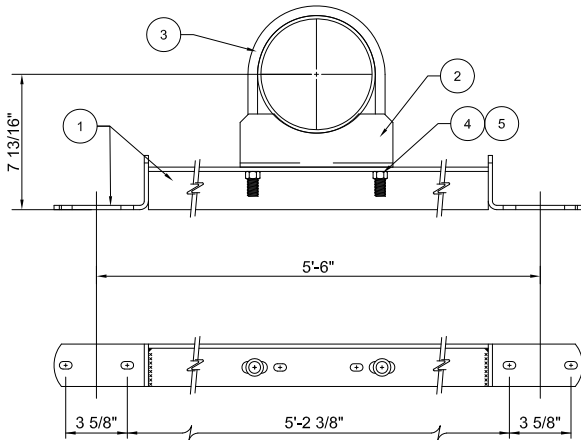
BANK EXTENSION CLAMPS



NO. 900 LINE FAN BANK EXTENSION

Required Parts For One (1) Complete 900 LINE FAN BANK EXTENSION Assembly

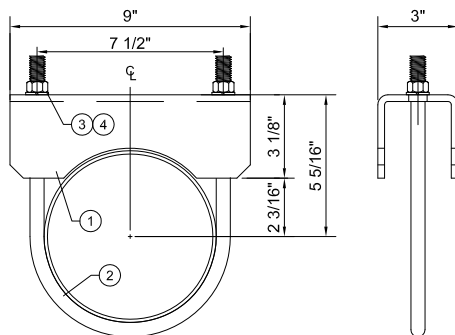
Item #	Qty.	Part Number	Description
1	1	XEXT 91512 002	FAN BANK EXTENSION WELD
2	1	CLMP 00056 002	FORMED CLAMP 6'-5/8"
3	1	UBOT 00006 0E2	6-5/8"Ø U-BOLT - 5/8"Ø
4	2	HDWE 04006 0E0	5/8"Ø LOCKWASHER
5	2	HDWE 03012 0E0	5/8"Ø HEX NUT



NO. 900 LINE RECTANGULAR BANK EXTENSION

Required Parts For One (1) Complete RECTANGULAR BANK EXTENSION Assembly

Item #	Qty.	Part Number	Description
1	1	XEXT 91612 002	RECTANGULAR BANK EXTENSION WELD
2	1	CLMP 00056 002	FORMED CLAMP 6 5/8"
3	1	UBOT 00006 0E2	6-5/8"Ø U-BOLT - 5/8"Ø
4	2	HDWE 04006 0E0	5/8"Ø LOCKWASHER
5	2	HDWE 03012 0E0	5/8"Ø HEX NUT



6 5/8" MAST CLAMP

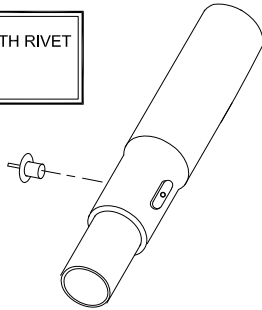
Required Parts For One (1) Complete MAST CLAMP Assembly

Item #	Qty.	Part Number	Description
1	1	CLMP 00056 002	6-5/8"Ø MAST CLAMP
2	1	UBOT 00006 0E2	6-5/8"Ø U-BOLT - 5/8"Ø
3	2	HDWE 04006 0E0	5/8"Ø LOCKWASHER
4	2	HDWE 03012 0E0	5/8"Ø HEX NUT

TELESCOPING BACK BRACE FITTING ADJUSTABLE HINGE SLEEVES

WARNING

ASSEMBLY MUST BE SECURED WITH RIVET AS DETAILED! DO NOT USE SET SCREWS AS PRIMARY FASTENER!



XBRC 51700 002

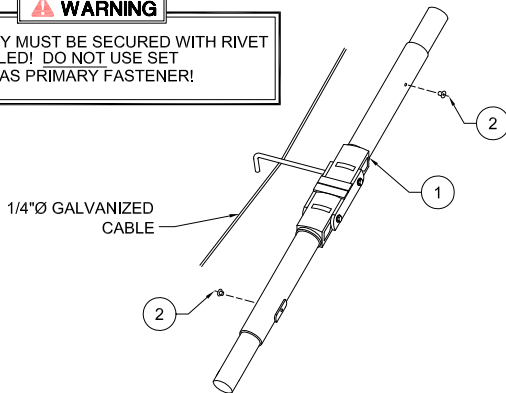
TELESCOPING BACK BRACE FITTING

Required Parts For One (1) Complete BACK BRACE FITTING Assembly

Item #	Qty.	Part Number	Description
1	1	XBRC 51700 002	TELESCOPING BACK BRACE FITTING
INCLUDES:			(1) TELESCOPING BACK BRACE WELD
			(1) 1/4"Ø SET SCREW
			(1) 5/16"Ø X 7/16" Lg. HAMMER HIT RIVET
			(4) 1/2"Ø NYLON FLATWASHER
			(1) SET OF INSTALLION INSTRUCTIONS

WARNING

ASSEMBLY MUST BE SECURED WITH RIVET AS DETAILED! DO NOT USE SET SCREWS AS PRIMARY FASTENER!



ADJUSTABLE HINGE SLEEVE ASSEMBLY w/ HOOK ROD

(FOR 900 LINE, 1 7/8" BRACE)

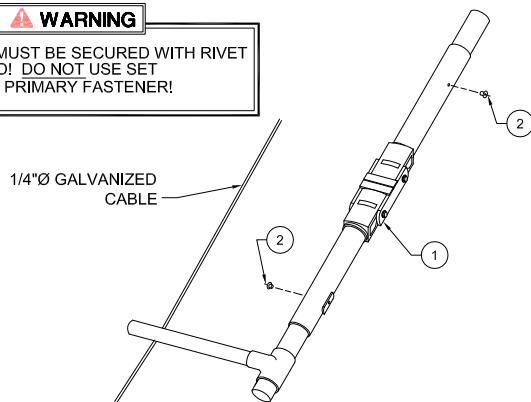
Required Parts For One (1) Complete ADJUSTABLE HINGE SLEEVE w/ HOOK ROD Assembly

Item #	Qty.	Part Number	Description
1	1	XHNG 92371 202	ADJUSTABLE HINGE BRACE
INCLUDES:			(1) INSIDE HINGE CHANNEL WELD
			(1) OUTSIDE HINGE CHANNEL WELD
			(1) TORSION SPRING
			(2) 5/16"Ø x 3/8"Lg. SET SCREW
			(1) 1/2"Ø x 12"Lg. BREAKER ROD
2	2	HDWE 58147 0E0	5/16"Ø HAMMER HIT RIVET

INSTALLER NOTE: AFTER INSURING PROPER FOLDING ACTION OF BACKSTOP, EACH END OF THE SLEEVE **MUST BE SECURED** BY RIVETS PROVIDED. UTILIZE THE PILOT HOLE IN EACH SLEEVE TO DRILL THROUGH BOTH THE UPPER AND LOWER HALF OF THE FOLDING BRACE, AND PERMANENTLY SECURE WITH TWO (2) 5/16" x 7/16" LONG HAMMER HIT RIVETS.

WARNING

ASSEMBLY MUST BE SECURED WITH RIVET AS DETAILED! DO NOT USE SET SCREWS AS PRIMARY FASTENER!



ADJUSTABLE HINGE SLEEVE ASSEMBLY

(FOR 500 & 600 LINE, 1 7/8" BRACE)

Required Parts For One (1) Complete ADJUSTABLE HINGE SLEEVE Assembly

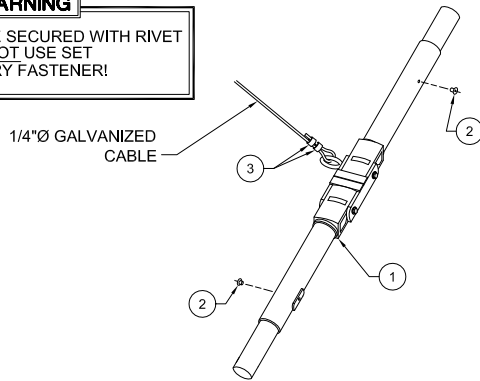
Item #	Qty.	Part Number	Description
1	1	XHNG 52371 202	ADJUSTABLE HINGE BRACE
INCLUDES:			(1) INSIDE HINGE CHANNEL WELD
			(1) OUTSIDE HINGE CHANNEL WELD
			(1) TORSION SPRING
			(2) 5/16"Ø x 3/8"Lg. SET SCREW
			(1) 1/2"Ø x 2 3/4"Lg. HEX HD CAP SCREW GR 5
2	2	HDWE 58147 0E0	5/16"Ø HAMMER HIT RIVET

INSTALLER NOTE: AFTER INSURING PROPER FOLDING ACTION OF BACKSTOP, EACH END OF THE SLEEVE **MUST BE SECURED** BY RIVETS PROVIDED. UTILIZE THE PILOT HOLE IN EACH SLEEVE TO DRILL THROUGH BOTH THE UPPER AND LOWER HALF OF THE FOLDING BRACE, AND PERMANENTLY SECURE WITH TWO (2) 5/16" x 7/16" LONG HAMMER HIT RIVETS.

ADJUSTABLE HINGE SLEEVES 900 LINE / 3 PULLEY OPERATION

⚠ WARNING

ASSEMBLY MUST BE SECURED WITH RIVET AS DETAILED! DO NOT USE SET SCREWS AS PRIMARY FASTENER!



Required Parts For One (1) Complete ADJUSTABLE HINGE SLEEVE w/ EYEBOLT Assembly (FOR 1 7/8"Ø TUBES)

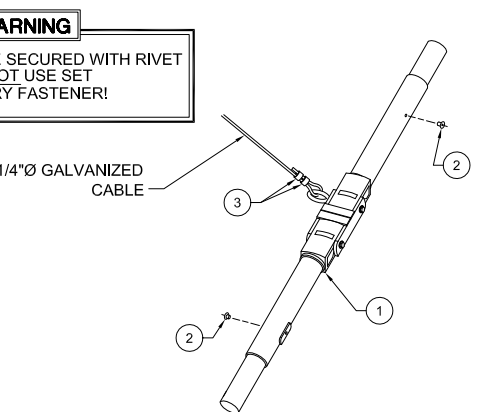
Item #	Qty.	Part Number	Description
1	1	XHNG 52372 202	ADJUSTABLE HINGE BRACE WITH EYE BOLT
INCLUDES:			(1) INSIDE HINGE CHANNEL WELD
			(1) OUTSIDE HINGE CHANNEL WELD
			(1) TORSION SPRING
			(2) 5/16"Ø x 3/8"Lg. SET SCREW
			(1) 1/2"Ø X 3" Lg. CUT EYE BOLT
2	2	HDWE 58147 0E0	5/16"Ø HAMMER HIT RIVET
3	2	ROPE 00037 000	1/4" CABLE CLAMP

INSTALLER NOTE: AFTER INSURING PROPER FOLDING ACTION OF BACKSTOP, EACH END OF THE SLEEVE **MUST BE SECURED** BY RIVETS PROVIDED. UTILIZE THE PILOT HOLE IN EACH SLEEVE TO DRILL THROUGH BOTH THE UPPER AND LOWER HALF OF THE FOLDING BRACE, AND PERMANENTLY SECURE WITH TWO (2) 5/16" x 7/16" LONG HAMMER HIT RIVETS.

ADJUSTABLE HINGE SLEEVE ASSEMBLY WITH EYEBOLT
(FOR 900 LINE, 1 7/8" BRACE)

⚠ WARNING

ASSEMBLY MUST BE SECURED WITH RIVET AS DETAILED! DO NOT USE SET SCREWS AS PRIMARY FASTENER!



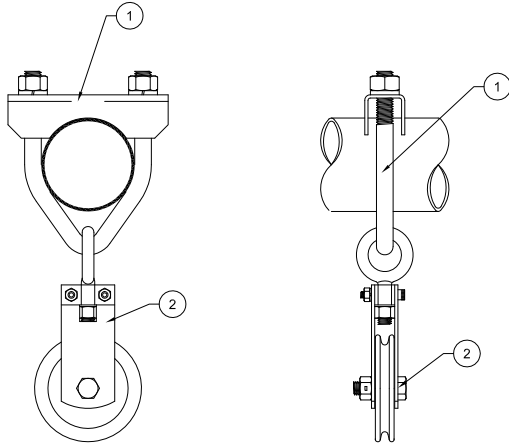
Required Parts For One (1) Complete ADJUSTABLE HINGE SLEEVE w/ EYEBOLT Assembly (FOR 2-3/8"Ø TUBES)

Item #	Qty.	Part Number	Description
1	1	XHNG 92372 202	ADJUSTABLE HINGE BRACE WITH EYE BOLT
INCLUDES:			(1) INSIDE HINGE CHANNEL WELD
			(1) OUTSIDE HINGE CHANNEL WELD
			(1) TORSION SPRING
			(2) 5/16"Ø x 3/8"Lg. SET SCREW
			(1) 1/2"Ø X 4" Lg. CUT EYE BOLT
2	2	HDWE 58147 0E0	5/16"Ø HAMMER HIT RIVET
3	2	ROPE 00037 000	1/4" CABLE CLAMP

INSTALLER NOTE: AFTER INSURING PROPER FOLDING ACTION OF BACKSTOP, EACH END OF THE SLEEVE **MUST BE SECURED** BY RIVETS PROVIDED. UTILIZE THE PILOT HOLE IN EACH SLEEVE TO DRILL THROUGH BOTH THE UPPER AND LOWER HALF OF THE FOLDING BRACE, AND PERMANENTLY SECURE WITH TWO (2) 5/16" x 7/16" LONG HAMMER HIT RIVETS.

ADJUSTABLE HINGE SLEEVE ASSEMBLY WITH EYEBOLT
(FOR 900 LINE, 2 3/8" BRACE)

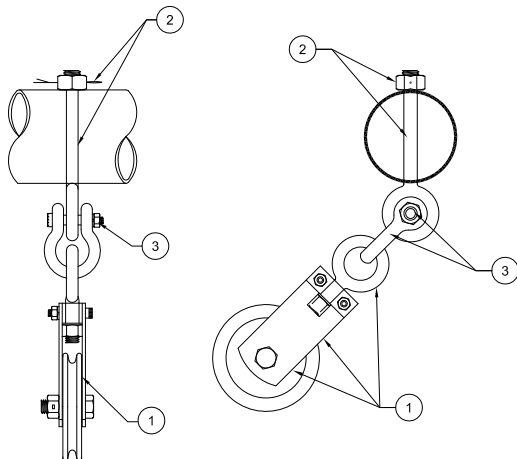
PULLEY ATTACHMENTS



PULLEY AND EYE CLAMP ATTACHMENT ASSEMBLY

Required Parts For One (1) Complete PULLEY AND EYE CLAMP Assembly

Item #	Qty.	Part Number	Description
1	1	XCLP 97001 002	PIPE EYE CLAMP ASSEMBLY
INCLUDES:			
		CLMP 00054 002	(1) FORMED PIPE CLAMP 3-1/2"Ø
		UBOT 00013 000	(1) 3-1/2"Ø U-BOLT - 5/8"Ø
		HDWE 04006 0E0	(2) 5/8"Ø LOCKWASHER
		HDWE 03012 0E0	(2) 5/8"Ø HEX NUT
2	1	XPUL 57401 000	SWIVEL PULLEY ASSEMBLY
INCLUDES:			
		HDWE 57019 000	(1) FORGED EYE BOLT 1/2"x 1-1/2"
		FLAT 00231 000	(1) SWIVEL BLOCK
		HDWE 55007 000	(1) NYLON WASHER
		HDWE 03003 0E0	(1) 1/2"Ø HEX NUT
		STRP 00108 0G0	(2) PULLEY SIDE PLATE
		HDWE 09039 000	(2) 1/4"Ø X 1 1/2"Lg SOCKET HEAD CAP SCREW GR 8
		HDWE 03017 0E0	(2) 1/2"Ø LOCK NUT
		HDWE0 4004 0E0	(2) 1/4"Ø LOCKWASHER
		PULY 00011 000	(1) MACHINED PULLEY SHEAVE
		BUSH 00024 000	(1) OILITE BUSHING
		HDWE 51003 000	(1) 1/2"Ø X 1 3/4"Lg HH CAP SCREW
		HDWE 03073 0E0	(1) CONVEX LOCKNUT 1/2"Ø
		HDWE 55007 000	(1) NYLON WASHER



* DO NOT SUBSTITUTE! IF SHEAVE BEARING AND/OR SHAFT INDICATE EXCESSIVE WEAR, REPLACE THE ENTIRE ASSEMBLY.

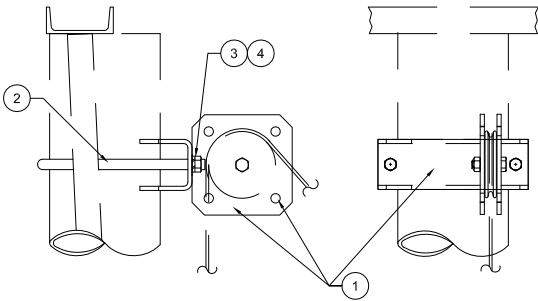
PULLEY EYEBOLT ATTACHMENT ASSEMBLY

Required Parts For One (1) Complete PULLEY AND EYEBOLT Assembly

Item #	Qty.	Part Number	Description
1	1	XPUL 57401 000	SWIVEL PULLEY ASSEMBLY
INCLUDES:			
		HDWE 57019 000	(1) FORGED EYE BOLT 1/2"x 1-1/2"
		FLAT 00231 000	(1) SWIVEL BLOCK
		HDWE 55007 000	(1) NYLON WASHER
		HDWE 03003 0E0	(1) 1/2"Ø HEX NUT
		STRP 00108 0G0	(2) PULLEY SIDE PLATE
		HDWE 09039 000	(2) 1/4"Ø X 1 1/2"Lg. SOCKET HEAD CAP SCREW GR 8
		HDWE 03017 0E0	(2) 1/2"Ø LOCK NUT
		HDWE0 4004 0E0	(2) 1/4"Ø LOCKWASHER
		PULY 00011 000	(1) MACHINED PULLEY SHEAVE
		BUSH 00024 000	(1) OILITE BUSHING
		HDWE 51003 000	(1) 1/2"Ø X 1 3/4"Lg HH CAP SCREW
		HDWE 03073 0E0	(1) CONVEX LOCKNUT 1/2"Ø
		HDWE 55007 000	(1) NYLON WASHER
2	1	XPUL 50700 000	EYEBOLT PULLEY
INCLUDES:			
		HDWE 03019 000	(1) HEX SPLIT NUT - 5/8"Ø
		HDWE 05007 0E0	(2) 5/8"Ø FLATWASHER
		HDWE 08055 0E0	(1) 5/32"Ø x 1-1/4"Lg. COTTER PIN
		HDWE 57039	(1) 5/8" 4-1/2"Lg. FORGED EYEBOLT
3	1	PULY 00009 000	7/16" SHACKLE WITH ROUND PIN ANCHOR

MAST PULLEY ATTACHMENTS

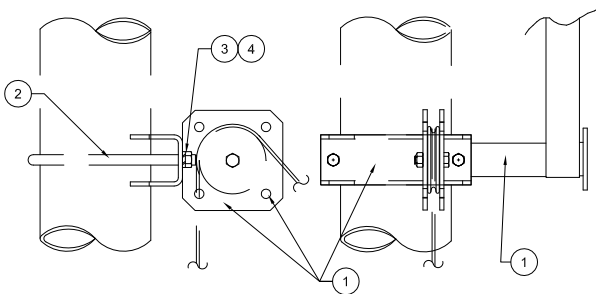
Required Parts For One (1) Complete RIGID MAST PULLEY 900-LINE OFFSET Assembly



TOP AND BOTTOM MAST PULLEY (OFFSET)

Item #	Qty.	Part Number	Description
1	1	XPUL 97400 002	RIGID MAST PULLEY 900-LINE (OFFSET)
INCLUDES:			
		PULY 00038 002	(1) PULLEY WELDMENT
		PULY 00011 000	(1) MACHINED PULLEY SHEAVE
		BUSH 00024 000	(1) OILITE BUSHING
		HDWE 51003 000	(1) 1/2"Ø x 1-3/4"Lg. H H CAP SCREW
		HDWE 03073 0E0	(1) 1/2"Ø CONVEX LOCK NUT
2	1	UBOT 00006 0E2	6-5/8"Ø U-BOLT - 5/8" Ø
3	2	HDWE 04006 0E0	5/8"Ø LOCK WASHER
4	2	HDWE 03012 0E0	5/8"Ø HEX NUT

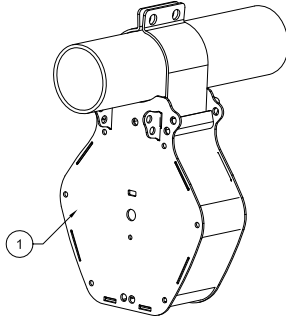
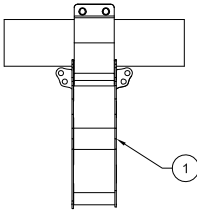
Required Parts For One (1) Complete RIGID MAST PULLEY 900-LINE OFFSET Assembly



BOTTOM MAST PULLEY WITH TIE-OFF

Item #	Qty.	Part Number	Description
1	1	XPUL 97410 002	RIGID MAST PULLEY 900-LINE (OFFSET)
INCLUDES:			
		CLMP 00056 000	(1) MAST CLAMP- 6-5/8"
		ECAP 00035 000	(1) ROUND END CAP- 4" DIA. X1/8"
		PLTE 00055 000	(2) U-BOLT ADAPTER PLATE- 1/4 X6 X6
		PULY 00011 000	(1) MACHINED PULLEY SHEAVE
		BUSH 00024 000	(1) OILITE BUSHING
		HDWE 51003 000	(1) 1/2"Ø x 1-3/4"Lg. H H CAP SCREW
		HDWE 03073 0E0	(1) 1/2"Ø CONVEX LOCK NUT
2	1	UBOT 00006 0E2	6-5/8"Ø U-BOLT - 5/8" Ø
3	2	HDWE 04006 0E0	5/8"Ø LOCK WASHER
4	2	HDWE 03012 0E0	5/8"Ø HEX NUT

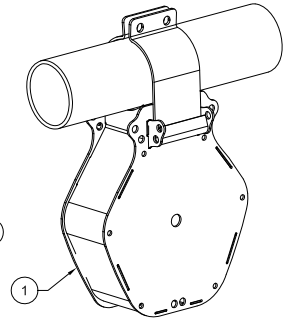
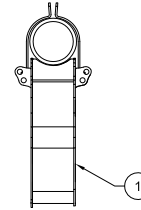
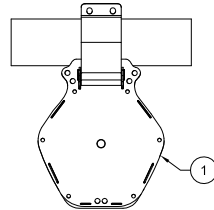
SAF-STRAP ATTACHMENTS



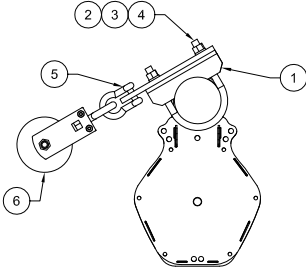
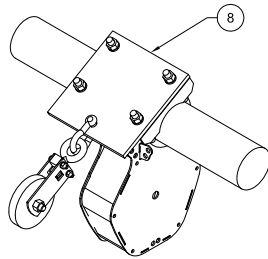
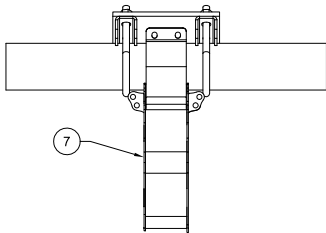
SAFETY STRAP ATTACHING TO PERPENDICULAR PIPE

Required Parts For One (1) Complete SAFETY STRAP Assembly

Item #	Qty.	Part Number	Description
1	1	PL 1000	SAFETY STRAP



SAFETY STRAP ATTACHING TO PARALLEL PIPE

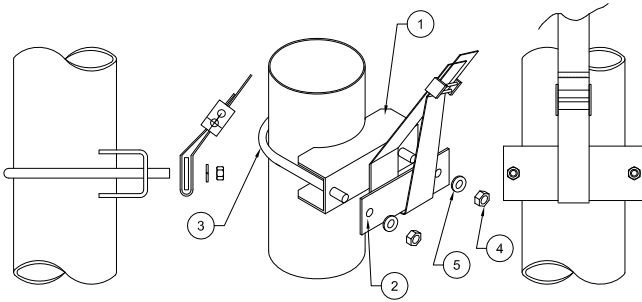


Required Parts For One (1) Complete IN-LINE SAFETY STRAP Assembly

Item #	Qty.	Part Number	Description
1	2	CLMP 00054 002	FORMED PIPE CLAMP 3 1/2"
2	2	UBOT 00005 000	1/2"Ø U-BOLT FOR 3 1/2"
3	4	HDWE 03003 0E0	1/2"Ø HEX NUT
4	4	HDWE 04003 0E0	1/2"Ø LOCKWASHER
5	1	PULY 00009 000	7/16" SHACKLE w/ ROUND PIN ANCHOR
6	1	XPUL 57401 000	SWIVEL PULLEY
7	1	PL 1000	SAFETY STRAP
8	1	PLTE 00343	SAFETY STRAP ADAPTER PLATE

IN-LINE SAFETY STRAP & PULLEY ATTACHMENT ASSEMBLY

SAF-STRAP ATTACHMENTS

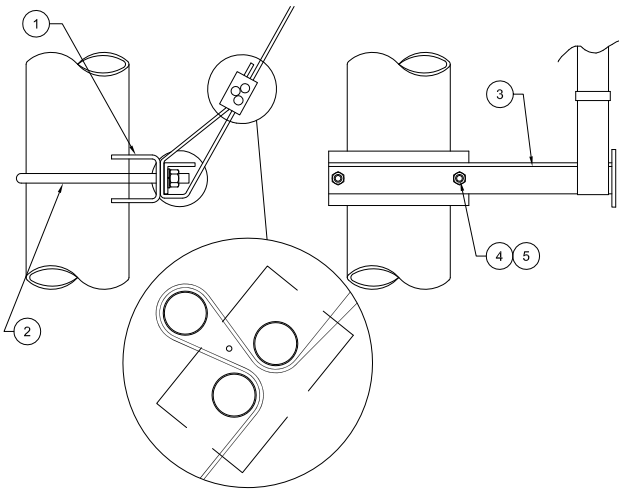


XSAF 79720 002

SAF-STRAP ATTACHMENT TO 900 LINE MAST (DIRECT)

Required Parts For One (1) Complete SAF-STRAP DIRECT ATTACHMENT TO 900 LINE MAST

Item #	Qty.	Part Number	Description
1	1	CLMP 00056 002	6-5/8"Ø. MAST CLAMP
2	1	FLAT 00123 002	DRILLED FLAT 1/4" x 2-1/2" x 9"
3	1	UBOT 00006 0E2	6-5/8"Ø U-BOLT - 5/8"Ø
4	2	HDWE 03012 0E0	5/8"Ø HEX NUTS
5	2	HDWE 04006 0E0	5/8"Ø LOCKWASHERS

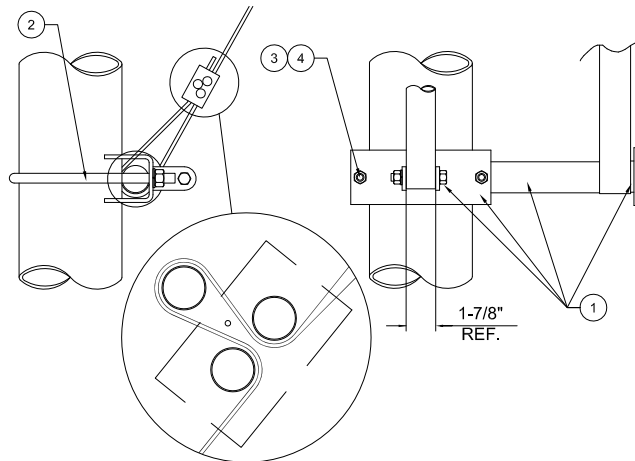


SAF-STRAP ATTACHMENT TO 900 LINE MAST (OFFSET)

Required Parts For One (1) Complete OFFSET SAF-STRAP ATTACHMENT TO 900 LINE MAST

Item #	Qty.	Part Number	Description
1	1	CLMP 00056 002	6-5/8"Ø MAST CLAMP
2	1	UBOT 00006 0E2	6-5/8"Ø U-BOLT - 5/8"Ø
3	1	XSAF 79721 002	OFFSET ARM
4	1	HDWE 03012 0E0	5/8"Ø HEX NUTS
5	1	HDWE 04006 0E0	5/8"Ø LOCKWASHERS

XSAF 79740 002



SAF-STRAP ATTACHMENT TO 900 LINE MAST (OFFSET WITH HINGE)

(FOR 1 7/8" BRACE)

Required Parts For One (1) Complete OFFSET SAF-STRAP ATTACHMENT TO 900 LINE MAST

Item #	Qty.	Part Number	Description
1	1	XHNG 91310 002	6-5/8" PARALLEL BRACE HANGER TO 1-7/8" W/TIE OFF
INCLUDES:		HING 00123 002	(1) BRACE HANGER WELD WITH OFFSET ARM
		HDWE 01140 0E0	(1) 1/2" HEX HEAD CAP SCREW GRADE 5
		HDWE 03073 0E0	(1) 1/2" CONVEX LOCK NUT GRADE C
2	1	UBOT 00006 0E2	6-5/8"Ø U-BOLT 5/8"Ø
3	2	HDWE 04006 0E0	5/8"Ø LOCKWASHER
4	2	HDWE 03012 0E0	5/8"Ø HEX NUTS

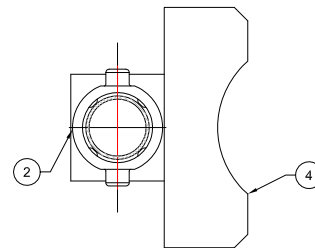
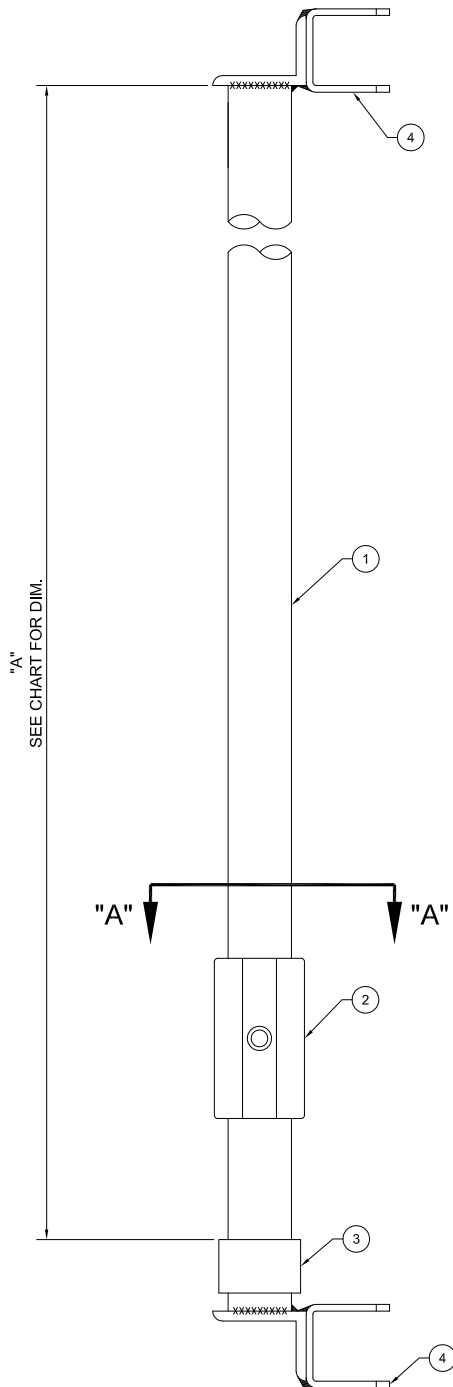
917 SLIDE ROD ASSEMBLY

SLIDE ROD ASSEMBLY 917 "W" SERIES 28' TO 40' HEIGHTS

Required Parts For One (1) Complete SLIDE ROD Assembly

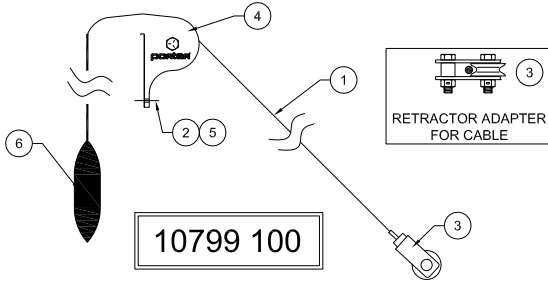
Item #	Qty.	Part Number	Description
1	1	SEE CHART	REMET TUBE 2 3/8" x 11 GA (SEE CHART)
2	1	CSTG 00050 000	SLIDE ROD CASTING
3	1	SLVE 00112 000	SLIDE ROD COLLAR WELDMENT
4	2	FRME 00354 000	END CAP WELDMENT

PART NUMBER	ATTACHMENT HEIGHT	TUBE LENGTH "A"
XBRC 91701 112	28'-0" TO 29'-11 15/16"	11'-0"
XBRC 91701 122	30'-0" TO 31'-11 15/16"	12'-0"
XBRC 91701 132	32'-0" TO 34'-11 15/16"	13'-0"
XBRC 91701 142	35'-0" TO 36'-11 15/16"	14'-0"
XBRC 91701 152	37'-0" TO 38'-11 15/16"	15'-0"
XBRC 91701 162	39'-0" TO 40"	16'-0"



SECTION "A-A"

RETRACTOR REEL ATTACHMENTS FOR 917 BACKSTOPS

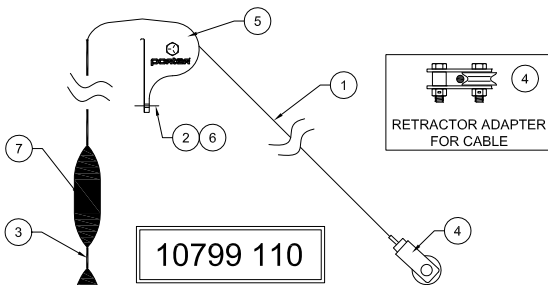


10799 100

917 RETRACTOR FOR CABLE ONLY
ATTACHMENT HEIGHTS **UP TO** 25'-0"

Required Parts For One (1) Complete 917 RETRACTOR FOR CABLE ONLY

Item #	Qty.	Part Number	Description
1	20	ROPE 00041 0G0	GALV CABLE- 1/8" 7 X 19
2	1	HDWE 06121 0E0	HEX WASHER HEAD SELF-DRILL SCREW- #12-24 X 7/8
3	1	PULY 00027 000	RETRACTOR ADAPTER- CABLE ONLY
4	1	PULY 00066 002	NO. 799 HOUSING ASSEMBLY
5	4	ROPE 00083 000	WIRE ROPE CLIP- 1/8IN
6	1	ROPE 00106 100	COUNTERWEIGHT BAG WITH 2 GROMMETS

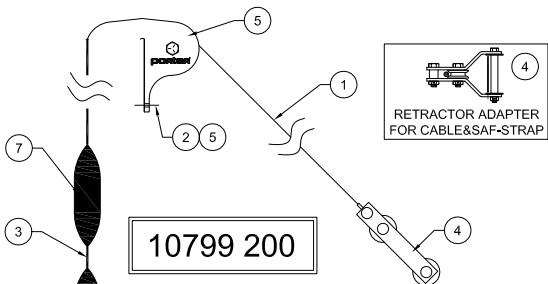


10799 110

917 RETRACTOR FOR CABLE ONLY
ATTACHMENT HEIGHTS **ABOVE** 25'-0"

Required Parts For One (1) Complete 917 RETRACTOR FOR CABLE ONLY

Item #	Qty.	Part Number	Description
1	20	ROPE 00041 0G0	GALV CABLE- 1/8" 7 X 19
2	1	HDWE 06121 0E0	HEX WASHER HEAD SELF-DRILL SCREW- #12-24 X 7/8
3	1	HDWE 58006 0E0	S HOOK 1/4" S-5
4	1	PULY 00027 000	RETRACTOR ADAPTER- CABLE ONLY
5	1	PULY 00066 002	NO. 799 HOUSING ASSEMBLY
6	4	ROPE 00083 000	WIRE ROPE CLIP- 1/8IN
7	2	ROPE 00106 100	COUNTERWEIGHT BAG WITH 2 GROMMETS

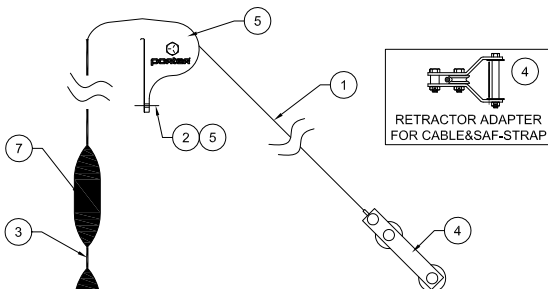


10799 200

917 RETRACTOR FOR CABLE & SAF-STRAP
ATTACHMENT HEIGHTS **UP TO** 25'-0"

Required Parts For One (1) Complete 917 RETRACTOR FOR CABLE & SAF-STRAP

Item #	Qty.	Part Number	Description
1	20	ROPE 00041 0G0	GALV CABLE- 1/8" 7 X 19
2	1	HDWE 06121 0E0	HEX WASHER HEAD SELF-DRILL SCREW- #12-24 X 7/8
3	1	HDWE 58006 0E0	S HOOK 1/4" S-5
4	1	XFLX 99000 000	RETRACTOR ADAPTER- CABLE & SAF-STRAP
5	1	PULY 00066 002	NO. 799 HOUSING ASSEMBLY
6	4	ROPE 00083 000	WIRE ROPE CLIP- 1/8IN
7	2	ROPE 00106 100	COUNTERWEIGHT BAG WITH 2 GROMMETS



10799 210

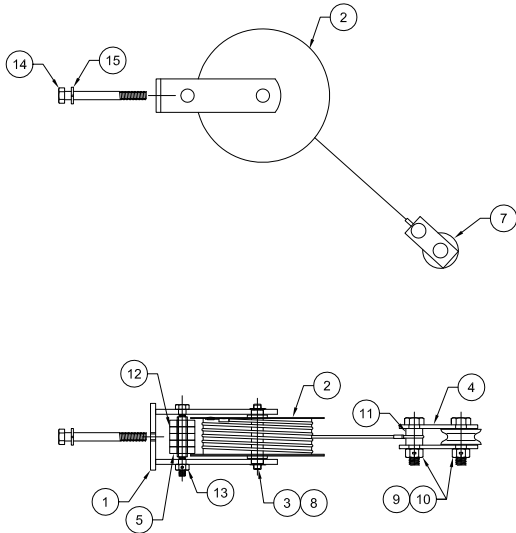
917 RETRACTOR FOR CABLE & SAF-STRAP
ATTACHMENT HEIGHTS **ABOVE** 25'-0"

Required Parts For One (1) Complete 917 RETRACTOR FOR CABLE & SAF-STRAP

Item #	Qty.	Part Number	Description
1	20	ROPE 00041 0G0	GALV CABLE- 1/8" 7 X 19
2	1	HDWE 06121 0E0	HEX WASHER HEAD SELF-DRILL SCREW- #12-24 X 7/8
3	2	HDWE 58006 0E0	S HOOK 1/4" S-5
4	1	XFLX 99000 000	RETRACTOR ADAPTER- CABLE & SAF-STRAP
5	1	PULY 00066 002	NO. 799 HOUSING ASSEMBLY
6	4	ROPE 00083 000	WIRE ROPE CLIP- 1/8IN
7	3	ROPE 00106 100	COUNTERWEIGHT BAG WITH 2 GROMMETS

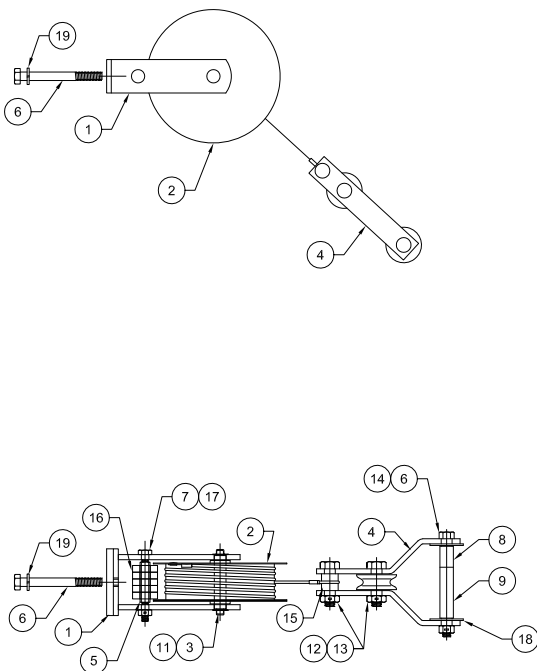
RETRACTOR REEL ATTACHMENTS FOR 517/617 BACKSTOPS

Required Parts For One (1) Complete 917 RETRACTOR FOR CABLE ONLY



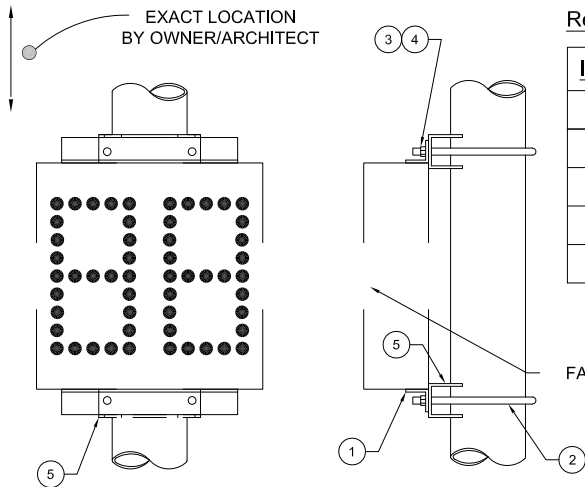
Item #	Qty.	Part Number	Description
1	1	STRP 00017 102	REEL HOUSING WELDMENT
2	1	SPNG 00009 000	SPRING POWERED REEL
3	1	SHFT 00008 000	SQUARE SHAFT
4	2	PLTE 00232 0E0	BRACE PLATE
5	1	TUBR 00573 000	CUT SPACER TUBE
6	1	HDWE 01266 0E0	1/4"Ø X 2 1/2" Lg. HEX HEAD CAP SCREW GR 5
7	1	PULY 00004 000	1 3/8"Ø NYLON SHEAVE
8	2	HDWE 53026 0E0	1/4" PUSH NUT
9	2	HDWE 01202 0E0	3/8"Ø X 1 1/2" Lg. HEX HEAD CAP SCREW GR 5
10	2	HDWE 03023 0E0	3/8"Ø HEX LOCK NUT
11	1	SLVE 00060 002	BLACK SPACER SLEEVE 5/8" O.D. X 7/16" I.D. X 5/8" Lg.
12	5	SLVE 00078 002	NYLON SLEEVE 15/16" O.D. X .38 I.D. X 1/4" Lg.
13	1	HDWE 03034 0E0	1/4"Ø HEX LOCK NUT
14	1	HDWE 01251 0E0	5/16"Ø X 3 1/2" Lg. HEX HEAD CAP SCREW GR 5
15	1	HDWE 04001 0E0	5/16"Ø LOCK WASHER

Required Parts For One (1) Complete 917 RETRACTOR FOR CABLE ONLY



Item #	Qty.	Part Number	Description
1	1	STRP 00017 102	REEL HOUSING WELDMENT
2	1	SPNG 00009 000	SPRING POWERED REEL
3	1	SHFT 00008 000	SQUARE SHAFT
4	2	STRP 00097 002	FORMED FLAT
5	1	TUBR 00573 000	CUT SPACER TUBE
6	2	HDWE 01251 0E0	5/16"Ø X 3 1/2" Lg. HEX HEAD CAP SCREW GR 5
7	1	HDWE 01266 0E0	1/4"Ø X 2 1/2" Lg. HEX HEAD CAP SCREW GR 5
8	1	TUBR 00544 0E0	STEEL SPACER TUBE 1/2" O.D. 3/4" Lg.
9	1	TUBR 00545 0E0	STEEL SPACER TUBE 1/2" O.D. 1 15/16" Lg.
10	1	PULY 00004 000	1 3/8"Ø NYLON SHEAVE
11	2	HDWE 53026 0E0	1/4" PUSH NUT
12	2	HDWE 01202 0E0	3/8"Ø X 1 1/2" Lg. HEX HEAD CAP SCREW GR 5
13	2	HDWE 03023 0E0	3/8"Ø HEX LOCK NUT
14	1	HDWE 03013 0E0	5/16"Ø HEX LOCK NUT
15	1	SLVE 00060 002	BLACK SPACER SLEEVE 5/8" O.D. X 7/16" I.D. X 5/8" Lg.
16	5	SLVE 00078 002	NYLON SLEEVE 15/16" O.D. X .38 I.D. X 1/4" Lg.
17	1	HDWE 03034 0E0	1/4"Ø HEX LOCK NUT
18	2	HDWE 05001 0E0	5/16"Ø X 1 1/4" FLATWASHER
19	1	HDWE 04001 0E0	5/16"Ø LOCK WASHER

SHOT CLOCK SUPPORTS



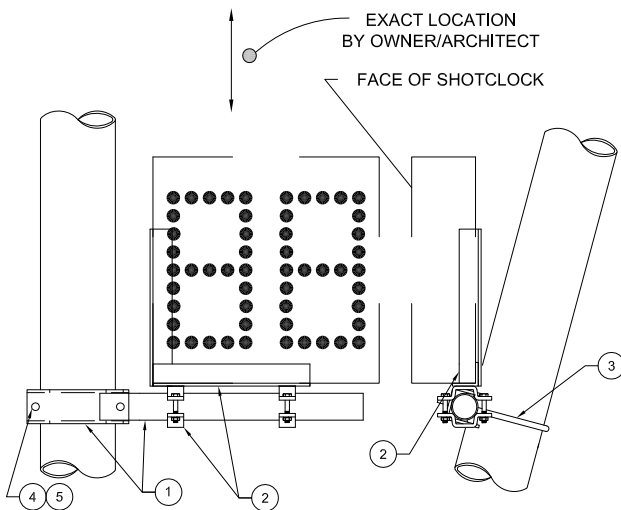
Required Parts For One (1) Complete SHOT CLOCK SUPPORT Support

Item #	Qty.	Part Number	Description
1	2	ANGL 00290 002	2'-0" LG. 3"x3"x1/4" ANGLE WITH TWO (2) 11/16"Ø HOLES
2	2	UBOT 00006 0E2	6-5/8"Ø U-BOLT - 5/8"Ø
3	4	HDWE 04006 0E0	5/8"Ø LOCK WASHER
4	4	HDWE 03012 0E0	5/8"Ø HEX NUT
5	2	CLMP 00056 002	6-5/8"Ø MAST CLAMP

SCS 00 212

**SHOT CLOCK SUPPORT
FOR STRAIGHT MAST (WITHOUT FRONT BRACE)**

(TOP AND BOTTOM MOUNT)



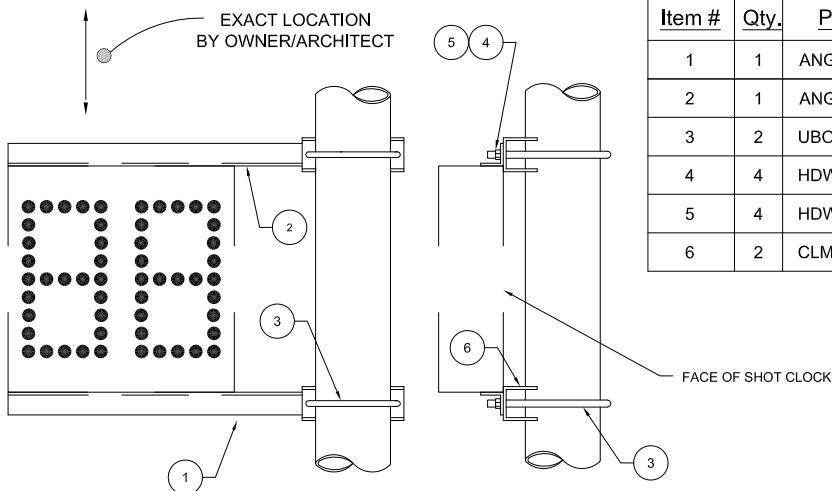
Required Parts For One (1) Complete SHOT CLOCK SUPPORT Support

Item #	Qty.	Part Number	Description
1	1	FRME 00394 002	SHOT CLOCK SUPPORT TUBE
2	1	FRME 00395 002	SHOT CLOCK FRAME ASSEMBLY
3	1	UBOT 00006 0E2	6-5/8"Ø U-BOLT - 5/8" Ø
4	2	HDWE 04006 0E0	5/8"Ø LOCK WASHER
5	2	HDWE 03012 0E0	5/8"Ø HEX NUT

SCS 00 412

**SHOT CLOCK SUPPORT
FOR CAMBER MAST**

(BOTTOM & SIDE MOUNT)



Required Parts For One (1) Complete SHOT CLOCK SUPPORT Support

Item #	Qty.	Part Number	Description
1	1	ANGL 00281 B02	OFFSET SHOT CLOCK 3"x3"x1/4" ANGLE (BOTTOM)
2	1	ANGL 00281 T02	OFFSET SHOT CLOCK 3"x3"x1/4" ANGLE (TOP)
3	2	UBOT 00006 0E2	6-5/8"Ø U-BOLT - 5/8"Ø
4	4	HDWE 04006 0E0	5/8"Ø LOCK WASHER
5	4	HDWE 03012 0E0	5/8"Ø HEX NUT
6	2	CLMP 00056 002	6-5/8"Ø MAST CLAMP

SCS 00 312

**SHOT CLOCK SUPPORT
FOR STRAIGHT MAST**

(TOP AND BOTTOM MOUNT)

SHOT CLOCK SUPPORTS

SCS 00 112

Required Parts For One (1) Complete SHOT CLOCK SUPPORT Support

Item #	Qty.	Part Number	Description
1	1	FRME 00394 0272	SHOT CLOCK SUPPORT TUBE
2	1	FRME 00400 036 2	SHOT CLOCK SUPPORT BASE CHANNEL
3	1	FRME 00399 028 L2	SHOT CLOCK SUPPORT UPRIGHT LEFT
4	1	FRME 00399 028 R2	SHOT CLOCK SUPPORT UPRIGHT RIGHT
5	2	CLMP 0007 002	HALF CLAMP
6	1	UBOT 00006 0E2	5/8" U-BOLT
7	2	HDWE 04006 0E0	5/8" LOCK WASHER
8	2	HDWE 03012 0E0	5/8" HEX NUT
9	4	HDWE 01124 0E0	3/8"x1" LG. HEX HEAD CAP SCREW GRADE 5
10	4	HDWE 01204 0E0	3/8"x1-3/4" LG. HEX HEAD CAP SCREW GRADE 5
11	8	HDWE 04002 0E0	3/8" LOCK WASHER
12	4	HDWE 03002 0E0	3/8" HEX NUT
13	4	HDWE 03057 0E0	3/8" CHANNEL NUT
14	1	PCAP 00014 002	2-3/8" TUBE CAP

SHOT CLOCK SUPPORT
CAMBER MAST 20"-30" WIDE CLOCK

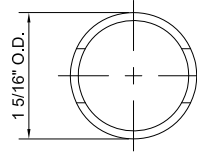
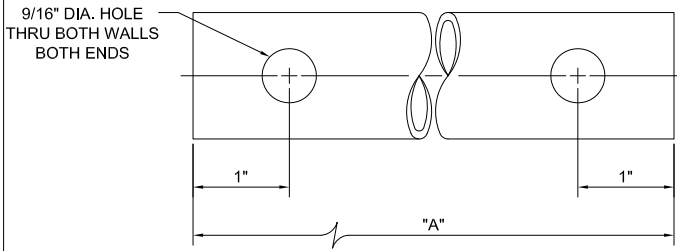
SCS 00 512

Required Parts For One (1) Complete SHOT CLOCK SUPPORT Support

Item #	Qty.	Part Number	Description
1	1	FRME 00394 030 2	SHOT CLOCK SUPPORT TUBE
2	1	FRME 00425 002	SHOT CLOCK SUPPORT BASE
3	2	CLMP 00007 002	HALF CLAMP
4	1	UBOT 00006 0E2	5/8" U-BOLT
5	2	HDWE 04006 0E0	5/8" LOCK WASHER
6	2	HDWE 03012 0E0	5/8" HEX NUT
7	4	HDWE 01124 0E0	3/8"x1" LG. HEX HEAD CAP SCREW GRADE 5
8	4	HDWE 01204 0E0	3/8"x1-3/4" LG. HEX HEAD CAP SCREW GRADE 5
9	8	HDWE 04002 0E0	3/8"x1" LG. HEX HEAD CAP SCREW GRADE 5
10	8	HDWE 03002 0E0	3/8" HEX NUT
11	1	PCAP 00014 002	2-3/8" TUBE CAP

SHOT CLOCK SUPPORT
WITH OR W/O CAMBER MAST 20"-30" DAK #BB-2140

1 5/16" O.D. 14 GAUGE PIPE WITH HOLES BOTH ENDS

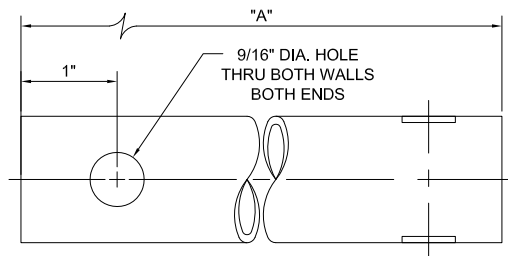


TUBR 131 083 __ __ 00 DBE

PART NUMBER	"A"	DESCRIPTION
TUBR 131 083 010 00 DBE	1'-0"	TUBE W 2 HOLES 1-5 16 X14GX 1 FT
TUBR 131 083 013 00 DBE	1'-3"	TUBE W 2 HOLES 1-5 16 X14GX 1FT 3IN
TUBR 131 083 016 00 DBE	1'-6"	TUBE W 2 HOLES 1-5 16 X14GX 1 FT 6IN
TUBR 131 083 019 00 DBE	1'-9"	TUBE W 2 HOLES 1-5 16 X14GX 1 FT 9IN
TUBR 131 083 020 00 DBE	2'-0"	TUBE W 2 HOLES 1-5 16 X14GX 2 FT
TUBR 131 083 023 00 DBE	2'-3"	TUBE W 2 HOLES 1-5 16 X14GX 2FT 3IN
TUBR 131 083 026 00 DBE	2'-6"	TUBE W 2 HOLES 1-5 16 X14GX 2 FT 6IN
TUBR 131 083 029 00 DBE	2'-9"	TUBE W 2 HOLES 1-5 16 X14GX 2 FT 9IN
TUBR 131 083 030 00 DBE	3'-0"	TUBE W 2 HOLES 1-5 16 X14GX 3 FT
TUBR 131 083 033 00 DBE	3'-3"	TUBE W 2 HOLES 1-5 16 X14GX 3FT 3IN
TUBR 131 083 036 00 DBE	3'-6"	TUBE W 2 HOLES 1-5 16 X14GX 3 FT 6IN
TUBR 131 083 039 00 DBE	3'-9"	TUBE W 2 HOLES 1-5 16 X14GX 3 FT 9IN
TUBR 131 083 040 00 DBE	4'-0"	TUBE W 2 HOLES 1-5 16 X14GX 4 FT
TUBR 131 083 043 00 DBE	4'-3"	TUBE W 2 HOLES 1-5 16 X14GX 4FT 3IN
TUBR 131 083 046 00 DBE	4'-6"	TUBE W 2 HOLES 1-5 16 X14GX 4 FT 6IN
TUBR 131 083 049 00 DBE	4'-9"	TUBE W 2 HOLES 1-5 16 X14GX 4 FT 9IN
TUBR 131 083 050 00 DBE	5'-0"	TUBE W 2 HOLES 1-5 16 X14GX 5 FT
TUBR 131 083 053 00 DBE	5'-3"	TUBE W 2 HOLES 1-5 16 X14GX 5FT 3IN
TUBR 131 083 056 00 DBE	5'-6"	TUBE W 2 HOLES 1-5 16 X14GX 5 FT 6IN
TUBR 131 083 059 00 DBE	5'-9"	TUBE W 2 HOLES 1-5 16 X14GX 5 FT 9IN
TUBR 131 083 060 00 DBE	6'-0"	TUBE W 2 HOLES 1-5 16 X14GX 6 FT
TUBR 131 083 063 00 DBE	6'-3"	TUBE W 2 HOLES 1-5 16 X14GX 6FT 3IN
TUBR 131 083 066 00 DBE	6'-6"	TUBE W 2 HOLES 1-5 16 X14GX 6 FT 6IN
TUBR 131 083 069 00 DBE	6'-9"	TUBE W 2 HOLES 1-5 16 X14GX 6 FT 9IN
TUBR 131 083 070 00 DBE	7'-0"	TUBE W 2 HOLES 1-5 16 X14GX 7 FT
TUBR 131 083 073 00 DBE	7'-3"	TUBE W 2 HOLES 1-5 16 X14GX 7FT 3IN
TUBR 131 083 076 00 DBE	7'-6"	TUBE W 2 HOLES 1-5 16 X14GX 7 FT 6IN
TUBR 131 083 079 00 DBE	7'-9"	TUBE W 2 HOLES 1-5 16 X14GX 7 FT 9IN
TUBR 131 083 080 00 DBE	8'-0"	TUBE W 2 HOLES 1-5 16 X14GX 8 FT
TUBR 131 083 083 00 DBE	8'-3"	TUBE W 2 HOLES 1-5 16 X14GX 8FT 3IN
TUBR 131 083 086 00 DBE	8'-6"	TUBE W 2 HOLES 1-5 16 X14GX 8 FT 6IN
TUBR 131 083 089 00 DBE	8'-9"	TUBE W 2 HOLES 1-5 16 X14GX 8 FT 9IN
TUBR 131 083 090 00 DBE	9'-0"	TUBE W 2 HOLES 1-5 16 X14GX 9 FT
TUBR 131 083 093 00 DBE	9'-3"	TUBE W 2 HOLES 1-5 16 X14GX 9FT 3IN
TUBR 131 083 096 00 DBE	9'-6"	TUBE W 2 HOLES 1-5 16 X14GX 9 FT 6IN
TUBR 131 083 099 00 DBE	9'-9"	TUBE W 2 HOLES 1-5 16 X14GX 9 FT 9IN
TUBR 131 083 100 00 DBE	10'-0"	TUBE W 2 HOLES 1-5 16 X14GX 10FT
TUBR 131 083 103 00 DBE	10'-3"	TUBE W 2 HOLES 1-5 16 X14GX 10FT 3IN
TUBR 131 083 106 00 DBE	10'-6"	TUBE W 2 HOLES 1-5 16 X14GX 10FT 6IN
TUBR 131 083 109 00 DBE	10'-9"	TUBE W 2 HOLES 1-5 16 X14GX 10FT 9IN
TUBR 131 083 110 00 DBE	11'-0"	TUBE W 2 HOLES 1-5 16 X14GX 11FT

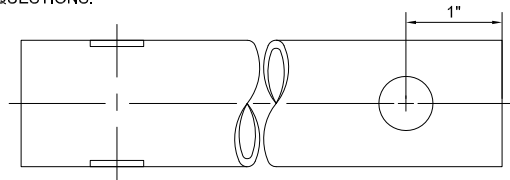
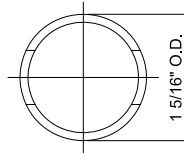
PART NUMBER	"A"	DESCRIPTION
TUBR 131 083 113 00 DBE	11'-3"	TUBE W 2 HOLES 1-5 16 X14GX 11FT 3IN
TUBR 131 083 116 00 DBE	11'-6"	TUBE W 2 HOLES 1-5 16 X14GX 11FT 6IN
TUBR 131 083 119 00 DBE	11'-9"	TUBE W 2 HOLES 1-5 16 X14GX 11FT 9IN
TUBR 131 083 120 00 DBE	12'-0"	TUBE W 2 HOLES 1-5 16 X14GX 12FT
TUBR 131 083 123 00 DBE	12'-3"	TUBE W 2 HOLES 1-5 16 X14GX 12FT 3IN
TUBR 131 083 126 00 DBE	12'-6"	TUBE W 2 HOLES 1-5 16 X14GX 12FT 6IN
TUBR 131 083 129 00 DBE	12'-9"	TUBE W 2 HOLES 1-5 16 X14GX 12FT 9IN
TUBR 131 083 130 00 DBE	13'-0"	TUBE W 2 HOLES 1-5 16 X14GX 13FT
TUBR 131 083 133 00 DBE	13'-3"	TUBE W 2 HOLES 1-5 16 X14GX 13FT 3IN
TUBR 131 083 136 00 DBE	13'-6"	TUBE W 2 HOLES 1-5 16 X14GX 13FT 6IN
TUBR 131 083 139 00 DBE	13'-9"	TUBE W 2 HOLES 1-5 16 X14GX 13FT 9IN
TUBR 131 083 140 00 DBE	14'-0"	TUBE W 2 HOLES 1-5 16 X14GX 14FT
TUBR 131 083 143 00 DBE	14'-3"	TUBE W 2 HOLES 1-5 16 X14GX 14FT 3IN
TUBR 131 083 146 00 DBE	14'-6"	TUBE W 2 HOLES 1-5 16 X14GX 14FT 6IN
TUBR 131 083 149 00 DBE	14'-9"	TUBE W 2 HOLES 1-5 16 X14GX 14FT 9IN
TUBR 131 083 150 00 DBE	15'-0"	TUBE W 2 HOLES 1-5 16 X14GX 15FT
TUBR 131 083 153 00 DBE	15'-3"	TUBE W 2 HOLES 1-5 16 X14GX 15FT 3IN
TUBR 131 083 156 00 DBE	15'-6"	TUBE W 2 HOLES 1-5 16 X14GX 15FT 6IN
TUBR 131 083 159 00 DBE	15'-9"	TUBE W 2 HOLES 1-5 16 X14GX 15FT 9IN
TUBR 131 083 160 00 DBE	16'-0"	TUBE W 2 HOLES 1-5 16 X14GX 16FT
TUBR 131 083 163 00 DBE	16'-3"	TUBE W 2 HOLES 1-5 16 X14GX 16FT 3IN
TUBR 131 083 166 00 DBE	16'-6"	TUBE W 2 HOLES 1-5 16 X14GX 16FT 6IN
TUBR 131 083 169 00 DBE	16'-9"	TUBE W 2 HOLES 1-5 16 X14GX 16FT 9IN
TUBR 131 083 170 00 DBE	17'-0"	TUBE W 2 HOLES 1-5 16 X14GX 17FT
TUBR 131 083 173 00 DBE	17'-3"	TUBE W 2 HOLES 1-5 16 X14GX 17FT 3IN
TUBR 131 083 176 00 DBE	17'-6"	TUBE W 2 HOLES 1-5 16 X14GX 17FT 6IN
TUBR 131 083 179 00 DBE	17'-9"	TUBE W 2 HOLES 1-5 16 X14GX 17FT 9IN
TUBR 131 083 180 00 DBE	18'-0"	TUBE W 2 HOLES 1-5 16 X14GX 18FT
TUBR 131 083 183 00 DBE	18'-3"	TUBE W 2 HOLES 1-5 16 X14GX 18FT 3IN
TUBR 131 083 186 00 DBE	18'-6"	TUBE W 2 HOLES 1-5 16 X14GX 18FT 6IN
TUBR 131 083 189 00 DBE	18'-9"	TUBE W 2 HOLES 1-5 16 X14GX 18FT 9IN
TUBR 131 083 131 00 DBE	19'-0"	TUBE W 2 HOLES 1-5 16 X14GX 19FT
TUBR 131 083 193 00 DBE	19'-3"	TUBE W 2 HOLES 1-5 16 X14GX 19FT 3IN
TUBR 131 083 196 00 DBE	19'-6"	TUBE W 2 HOLES 1-5 16 X14GX 19FT 6IN
TUBR 131 083 199 00 DBE	19'-9"	TUBE W 2 HOLES 1-5 16 X14GX 19FT 9IN
TUBR 131 083 200 00 DBE	20'-0"	TUBE W 2 HOLES 1-5 16 X14GX 20FT
TUBR 131 083 203 00 DBE	20'-3"	TUBE W 2 HOLES 1-5 16 X14GX 20FT 3IN
TUBR 131 083 206 00 DBE	20'-6"	TUBE W 2 HOLES 1-5 16 X14GX 20FT 6IN
TUBR 131 083 209 00 DBE	20'-9"	TUBE W 2 HOLES 1-5 16 X14GX 20FT 9IN
TUBR 131 083 210 00 DBE	21'-0"	TUBE W 2 HOLES 1-5 16 X14GX 21FT

1 5/16" O.D. 14 GAUGE PIPE WITH HOLES BOTH ENDS DRILLED AT A RIGHT ANGLE



PART LENGTHS WITH HATCH MAY NOT BE AVAILABLE IN QUOTE. PLEASE SEE TECH REP WITH ANY QUESTIONS.

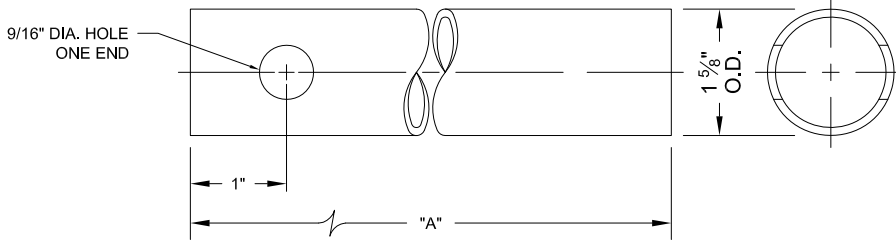
TUBR 131 083 _ _ _ 00 DRA




PART NUMBER	"A"	DESCRIPTION
TUBR 131 083 010 00 DRA	1'-0"	TUBE W/2 HOLES 1-5/16 X14GX 1 FT
TUBR 131 083 013 00 DRA	1'-3"	TUBE W/2 HOLES 1-5/16 X14GX 1FT 3IN
TUBR 131 083 016 00 DRA	1'-6"	TUBE W/2 HOLES 1-5/16 X14GX 1 FT 6IN
TUBR 131 083 019 00 DRA	1'-9"	TUBE W/2 HOLES 1-5/16 X14GX 1 FT 9IN
TUBR 131 083 020 00 DRA	2'-0"	TUBE W/2 HOLES 1-5/16 X14GX 2 FT
TUBR 131 083 023 00 DRA	2'-3"	TUBE W/2 HOLES 1-5/16 X14GX 2FT 3IN
TUBR 131 083 026 00 DRA	2'-6"	TUBE W/2 HOLES 1-5/16 X14GX 2 FT 6IN
TUBR 131 083 029 00 DRA	2'-9"	TUBE W/2 HOLES 1-5/16 X14GX 2 FT 9IN
TUBR 131 083 030 00 DRA	3'-0"	TUBE W/2 HOLES 1-5/16 X14GX 3 FT
TUBR 131 083 033 00 DRA	3'-3"	TUBE W/2 HOLES 1-5/16 X14GX 3FT 3IN
TUBR 131 083 036 00 DRA	3'-6"	TUBE W/2 HOLES 1-5/16 X14GX 3 FT 6IN
TUBR 131 083 039 00 DRA	3'-9"	TUBE W/2 HOLES 1-5/16 X14GX 3 FT 9IN
TUBR 131 083 040 00 DRA	4'-0"	TUBE W/2 HOLES 1-5/16 X14GX 4 FT
TUBR 131 083 043 00 DRA	4'-3"	TUBE W/2 HOLES 1-5/16 X14GX 4FT 3IN
TUBR 131 083 046 00 DRA	4'-6"	TUBE W/2 HOLES 1-5/16 X14GX 4 FT 6IN
TUBR 131 083 049 00 DRA	4'-9"	TUBE W/2 HOLES 1-5/16 X14GX 4 FT 9IN
TUBR 131 083 050 00 DRA	5'-0"	TUBE W/2 HOLES 1-5/16 X14GX 5 FT
TUBR 131 083 053 00 DRA	5'-3"	TUBE W/2 HOLES 1-5/16 X14GX 5FT 3IN
TUBR 131 083 056 00 DRA	5'-6"	TUBE W/2 HOLES 1-5/16 X14GX 5 FT 6IN
TUBR 131 083 059 00 DRA	5'-9"	TUBE W/2 HOLES 1-5/16 X14GX 5 FT 9IN
TUBR 131 083 060 00 DRA	6'-0"	TUBE W/2 HOLES 1-5/16 X14GX 6 FT
TUBR 131 083 063 00 DRA	6'-3"	TUBE W/2 HOLES 1-5/16 X14GX 6FT 3IN
TUBR 131 083 066 00 DRA	6'-6"	TUBE W/2 HOLES 1-5/16 X14GX 6 FT 6IN
TUBR 131 083 069 00 DRA	6'-9"	TUBE W/2 HOLES 1-5/16 X14GX 6 FT 9IN
TUBR 131 083 070 00 DRA	7'-0"	TUBE W/2 HOLES 1-5/16 X14GX 7 FT
TUBR 131 083 073 00 DRA	7'-3"	TUBE W/2 HOLES 1-5/16 X14GX 7FT 3IN
TUBR 131 083 076 00 DRA	7'-6"	TUBE W/2 HOLES 1-5/16 X14GX 7 FT 6IN
TUBR 131 083 079 00 DRA	7'-9"	TUBE W/2 HOLES 1-5/16 X14GX 7 FT 9IN
TUBR 131 083 080 00 DRA	8'-0"	TUBE W/2 HOLES 1-5/16 X14GX 8 FT
TUBR 131 083 083 00 DRA	8'-3"	TUBE W/2 HOLES 1-5/16 X14GX 8FT 3IN
TUBR 131 083 086 00 DRA	8'-6"	TUBE W/2 HOLES 1-5/16 X14GX 8 FT 6IN
TUBR 131 083 089 00 DRA	8'-9"	TUBE W/2 HOLES 1-5/16 X14GX 8 FT 9IN
TUBR 131 083 090 00 DRA	9'-0"	TUBE W/2 HOLES 1-5/16 X14GX 9 FT
TUBR 131 083 093 00 DRA	9'-3"	TUBE W/2 HOLES 1-5/16 X14GX 9FT 3IN
TUBR 131 083 096 00 DRA	9'-6"	TUBE W/2 HOLES 1-5/16 X14GX 9 FT 6IN
TUBR 131 083 099 00 DRA	9'-9"	TUBE W/2 HOLES 1-5/16 X14GX 9 FT 9IN
TUBR 131 083 100 00 DRA	10'-0"	TUBE W/2 HOLES 1-5/16 X14GX 10FT
TUBR 131 083 103 00 DRA	10'-3"	TUBE W/2 HOLES 1-5/16 X14GX 10FT 3IN
TUBR 131 083 106 00 DRA	10'-6"	TUBE W/2 HOLES 1-5/16 X14GX 10FT 6IN
TUBR 131 083 109 00 DRA	10'-9"	TUBE W/2 HOLES 1-5/16 X14GX 10FT 9IN
TUBR 131 083 110 00 DRA	11'-0"	TUBE W/2 HOLES 1-5/16 X14GX 11FT

PART NUMBER	"A"	DESCRIPTION
TUBR 131 083 113 00 DRA	11'-3"	TUBE W/2 HOLES 1-5/16 X14GX 11FT 3IN
TUBR 131 083 116 00 DRA	11'-6"	TUBE W/2 HOLES 1-5/16 X14GX 11FT 6IN
TUBR 131 083 119 00 DRA	11'-9"	TUBE W/2 HOLES 1-5/16 X14GX 11FT 9IN
TUBR 131 083 120 00 DRA	12'-0"	TUBE W/2 HOLES 1-5/16 X14GX 12FT
TUBR 131 083 123 00 DRA	12'-3"	TUBE W/2 HOLES 1-5/16 X14GX 12FT 3IN
TUBR 131 083 126 00 DRA	12'-6"	TUBE W/2 HOLES 1-5/16 X14GX 12FT 6IN
TUBR 131 083 129 00 DRA	12'-9"	TUBE W/2 HOLES 1-5/16 X14GX 12FT 9IN
TUBR 131 083 130 00 DRA	13'-0"	TUBE W/2 HOLES 1-5/16 X14GX 13FT
TUBR 131 083 133 00 DRA	13'-3"	TUBE W/2 HOLES 1-5/16 X14GX 13FT 3IN
TUBR 131 083 136 00 DRA	13'-6"	TUBE W/2 HOLES 1-5/16 X14GX 13FT 6IN
TUBR 131 083 139 00 DRA	13'-9"	TUBE W/2 HOLES 1-5/16 X14GX 13FT 9IN
TUBR 131 083 140 00 DRA	14'-0"	TUBE W/2 HOLES 1-5/16 X14GX 14FT
TUBR 131 083 143 00 DRA	14'-3"	TUBE W/2 HOLES 1-5/16 X14GX 14FT 3IN
TUBR 131 083 146 00 DRA	14'-6"	TUBE W/2 HOLES 1-5/16 X14GX 14FT 6IN
TUBR 131 083 149 00 DRA	14'-9"	TUBE W/2 HOLES 1-5/16 X14GX 14FT 9IN
TUBR 131 083 150 00 DRA	15'-0"	TUBE W/2 HOLES 1-5/16 X14GX 15FT
TUBR 131 083 153 00 DRA	15'-3"	TUBE W/2 HOLES 1-5/16 X14GX 15FT 3IN
TUBR 131 083 156 00 DRA	15'-6"	TUBE W/2 HOLES 1-5/16 X14GX 15FT 6IN
TUBR 131 083 159 00 DRA	15'-9"	TUBE W/2 HOLES 1-5/16 X14GX 15FT 9IN
TUBR 131 083 160 00 DRA	16'-0"	TUBE W/2 HOLES 1-5/16 X14GX 16FT
TUBR 131 083 163 00 DRA	16'-3"	TUBE W/2 HOLES 1-5/16 X14GX 16FT 3IN
TUBR 131 083 166 00 DRA	16'-6"	TUBE W/2 HOLES 1-5/16 X14GX 16FT 6IN
TUBR 131 083 169 00 DRA	16'-9"	TUBE W/2 HOLES 1-5/16 X14GX 16FT 9IN
TUBR 131 083 170 00 DRA	17'-0"	TUBE W/2 HOLES 1-5/16 X14GX 17FT
TUBR 131 083 173 00 DRA	17'-3"	TUBE W/2 HOLES 1-5/16 X14GX 17FT 3IN
TUBR 131 083 176 00 DRA	17'-6"	TUBE W/2 HOLES 1-5/16 X14GX 17FT 6IN
TUBR 131 083 179 00 DRA	17'-9"	TUBE W/2 HOLES 1-5/16 X14GX 17FT 9IN
TUBR 131 083 180 00 DRA	18'-0"	TUBE W/2 HOLES 1-5/16 X14GX 18FT
TUBR 131 083 183 00 DRA	18'-3"	TUBE W/2 HOLES 1-5/16 X14GX 18FT 3IN
TUBR 131 083 186 00 DRA	18'-6"	TUBE W/2 HOLES 1-5/16 X14GX 18FT 6IN
TUBR 131 083 189 00 DRA	18'-9"	TUBE W/2 HOLES 1-5/16 X14GX 18FT 9IN
TUBR 131 083 131 00 DRA	19'-0"	TUBE W/2 HOLES 1-5/16 X14GX 19FT
TUBR 131 083 193 00 DRA	19'-3"	TUBE W/2 HOLES 1-5/16 X14GX 19FT 3IN
TUBR 131 083 196 00 DRA	19'-6"	TUBE W/2 HOLES 1-5/16 X14GX 19FT 6IN
TUBR 131 083 199 00 DRA	19'-9"	TUBE W/2 HOLES 1-5/16 X14GX 19FT 9IN
TUBR 131 083 200 00 DRA	20'-0"	TUBE W/2 HOLES 1-5/16 X14GX 20FT
TUBR 131 083 203 00 DRA	20'-3"	TUBE W/2 HOLES 1-5/16 X14GX 20FT 3IN
TUBR 131 083 206 00 DRA	20'-6"	TUBE W/2 HOLES 1-5/16 X14GX 20FT 6IN
TUBR 131 083 209 00 DRA	20'-9"	TUBE W/2 HOLES 1-5/16 X14GX 20FT 9IN
TUBR 131 083 210 00 DRA	21'-0"	TUBE W/2 HOLES 1-5/16 X14GX 21FT

1 5/8" O.D. 14 GAUGE PIPE WITH HOLES ON ONE END



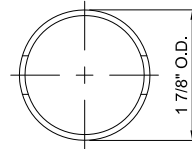
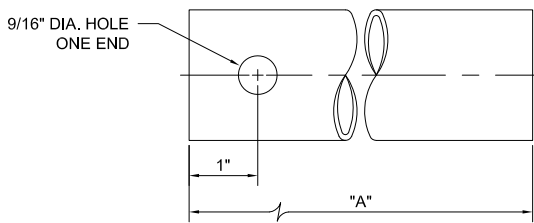
TUBR 166 083 ___ 00 DOE

 PART LENGTHS WITH HATCH MAY NOT BE AVAILABLE IN QUOTER. PLEASE SEE TECH REP WITH ANY QUESTIONS.

PART NUMBER	"A"	DESCRIPTION
TUBR 166 083 010 00 DOE	1'-0"	TUBE W 1 HOLES 1-5/8 X14GX 1 FT
TUBR 166 083 013 00 DOE	1'-3"	TUBE W 1 HOLES 1-5/8 X14GX 1FT 3IN
TUBR 166 083 016 00 DOE	1'-6"	TUBE W 1 HOLES 1-5/8 X14GX 1 FT 6IN
TUBR 166 083 019 00 DOE	1'-9"	TUBE W 1 HOLES 1-5/8 X14GX 1 FT 9IN
TUBR 166 083 020 00 DOE	2'-0"	TUBE W 1 HOLES 1-5/8 X14GX 2 FT
TUBR 166 083 023 00 DOE	2'-3"	TUBE W 1 HOLES 1-5/8 X14GX 2FT 3IN
TUBR 166 083 026 00 DOE	2'-6"	TUBE W 1 HOLES 1-5/8 X14GX 2 FT 6IN
TUBR 166 083 029 00 DOE	2'-9"	TUBE W 1 HOLES 1-5/8 X14GX 2 FT 9IN
TUBR 166 083 030 00 DOE	3'-0"	TUBE W 1 HOLES 1-5/8 X14GX 3 FT
TUBR 166 083 033 00 DOE	3'-3"	TUBE W 1 HOLES 1-5/8 X14GX 3FT 3IN
TUBR 166 083 036 00 DOE	3'-6"	TUBE W 1 HOLES 1-5/8 X14GX 3 FT 6IN
TUBR 166 083 039 00 DOE	3'-9"	TUBE W 1 HOLES 1-5/8 X14GX 3 FT 9IN
TUBR 166 083 040 00 DOE	4'-0"	TUBE W 1 HOLES 1-5/8 X14GX 4 FT
TUBR 166 083 043 00 DOE	4'-3"	TUBE W 1 HOLES 1-5/8 X14GX 4FT 3IN
TUBR 166 083 046 00 DOE	4'-6"	TUBE W 1 HOLES 1-5/8 X14GX 4 FT 6IN
TUBR 166 083 049 00 DOE	4'-9"	TUBE W 1 HOLES 1-5/8 X14GX 4 FT 9IN
TUBR 166 083 050 00 DOE	5'-0"	TUBE W 1 HOLES 1-5/8 X14GX 5 FT
TUBR 166 083 053 00 DOE	5'-3"	TUBE W 1 HOLES 1-5/8 X14GX 5FT 3IN
TUBR 166 083 056 00 DOE	5'-6"	TUBE W 1 HOLES 1-5/8 X14GX 5 FT 6IN
TUBR 166 083 059 00 DOE	5'-9"	TUBE W 1 HOLES 1-5/8 X14GX 5 FT 9IN
TUBR 166 083 060 00 DOE	6'-0"	TUBE W 1 HOLES 1-5/8 X14GX 6 FT
TUBR 166 083 063 00 DOE	6'-3"	TUBE W 1 HOLES 1-5/8 X14GX 6FT 3IN
TUBR 166 083 066 00 DOE	6'-6"	TUBE W 1 HOLES 1-5/8 X14GX 6 FT 6IN
TUBR 166 083 069 00 DOE	6'-9"	TUBE W 1 HOLES 1-5/8 X14GX 6 FT 9IN
TUBR 166 083 070 00 DOE	7'-0"	TUBE W 1 HOLES 1-5/8 X14GX 7 FT
TUBR 166 083 073 00 DOE	7'-3"	TUBE W 1 HOLES 1-5/8 X14GX 7FT 3IN
TUBR 166 083 076 00 DOE	7'-6"	TUBE W 1 HOLES 1-5/8 X14GX 7 FT 6IN
TUBR 166 083 079 00 DOE	7'-9"	TUBE W 1 HOLES 1-5/8 X14GX 7 FT 9IN
TUBR 166 083 080 00 DOE	8'-0"	TUBE W 1 HOLES 1-5/8 X14GX 8 FT
TUBR 166 083 083 00 DOE	8'-3"	TUBE W 1 HOLES 1-5/8 X14GX 8FT 3IN
TUBR 166 083 086 00 DOE	8'-6"	TUBE W 1 HOLES 1-5/8 X14GX 8 FT 6IN
TUBR 166 083 089 00 DOE	8'-9"	TUBE W 1 HOLES 1-5/8 X14GX 8 FT 9IN
TUBR 166 083 090 00 DOE	9'-0"	TUBE W 1 HOLES 1-5/8 X14GX 9 FT
TUBR 166 083 093 00 DOE	9'-3"	TUBE W 1 HOLES 1-5/8 X14GX 9FT 3IN
TUBR 166 083 096 00 DOE	9'-6"	TUBE W 1 HOLES 1-5/8 X14GX 9 FT 6IN
TUBR 166 083 099 00 DOE	9'-9"	TUBE W 1 HOLES 1-5/8 X14GX 9 FT 9IN
TUBR 166 083 100 00 DOE	10'-0"	TUBE W 1 HOLES 1-5/8 X14GX 10FT
TUBR 166 083 103 00 DOE	10'-3"	TUBE W 1 HOLES 1-5/8 X14GX 10FT 3IN
TUBR 166 083 106 00 DOE	10'-6"	TUBE W 1 HOLES 1-5/8 X14GX 10FT 6IN
TUBR 166 083 109 00 DOE	10'-9"	TUBE W 1 HOLES 1-5/8 X14GX 10FT 9IN
TUBR 166 083 110 00 DOE	11'-0"	TUBE W 1 HOLES 1-5/8 X14GX 11FT

PART NUMBER	"A"	DESCRIPTION
TUBR 166 083 113 00 DOE	11'-3"	TUBE W 1 HOLES 1-5/8 X14GX 11FT 3IN
TUBR 166 083 116 00 DOE	11'-6"	TUBE W 1 HOLES 1-5/8 X14GX 11FT 6IN
TUBR 166 083 119 00 DOE	11'-9"	TUBE W 1 HOLES 1-5/8 X14GX 11FT 9IN
TUBR 166 083 120 00 DOE	12'-0"	TUBE W 1 HOLES 1-5/8 X14GX 12FT
TUBR 166 083 123 00 DOE	12'-3"	TUBE W 1 HOLES 1-5/8 X14GX 12FT 3IN
TUBR 166 083 126 00 DOE	12'-6"	TUBE W 1 HOLES 1-5/8 X14GX 12FT 6IN
TUBR 166 083 129 00 DOE	12'-9"	TUBE W 1 HOLES 1-5/8 X14GX 12FT 9IN
TUBR 166 083 130 00 DOE	13'-0"	TUBE W 1 HOLES 1-5/8 X14GX 13FT
TUBR 166 083 133 00 DOE	13'-3"	TUBE W 1 HOLES 1-5/8 X14GX 13FT 3IN
TUBR 166 083 136 00 DOE	13'-6"	TUBE W 1 HOLES 1-5/8 X14GX 13FT 6IN
TUBR 166 083 139 00 DOE	13'-9"	TUBE W 1 HOLES 1-5/8 X14GX 13FT 9IN
TUBR 166 083 140 00 DOE	14'-0"	TUBE W 1 HOLES 1-5/8 X14GX 14FT
TUBR 166 083 143 00 DOE	14'-3"	TUBE W 1 HOLES 1-5/8 X14GX 14FT 3IN
TUBR 166 083 146 00 DOE	14'-6"	TUBE W 1 HOLES 1-5/8 X14GX 14FT 6IN
TUBR 166 083 149 00 DOE	14'-9"	TUBE W 1 HOLES 1-5/8 X14GX 14FT 9IN
TUBR 166 083 150 00 DOE	15'-0"	TUBE W 1 HOLES 1-5/8 X14GX 15FT
TUBR 166 083 153 00 DOE	15'-3"	TUBE W 1 HOLES 1-5/8 X14GX 15FT 3IN
TUBR 166 083 156 00 DOE	15'-6"	TUBE W 1 HOLES 1-5/8 X14GX 15FT 6IN
TUBR 166 083 159 00 DOE	15'-9"	TUBE W 1 HOLES 1-5/8 X14GX 15FT 9IN
TUBR 166 083 160 00 DOE	16'-0"	TUBE W 1 HOLES 1-5/8 X14GX 16FT
TUBR 166 083 163 00 DOE	16'-3"	TUBE W 1 HOLES 1-5/8 X14GX 16FT 3IN
TUBR 166 083 166 00 DOE	16'-6"	TUBE W 1 HOLES 1-5/8 X14GX 16FT 6IN
TUBR 166 083 169 00 DOE	16'-9"	TUBE W 1 HOLES 1-5/8 X14GX 16FT 9IN
TUBR 166 083 170 00 DOE	17'-0"	TUBE W 1 HOLES 1-5/8 X14GX 17FT
TUBR 166 083 173 00 DOE	17'-3"	TUBE W 1 HOLES 1-5/8 X14GX 17FT 3IN
TUBR 166 083 176 00 DOE	17'-6"	TUBE W 1 HOLES 1-5/8 X14GX 17FT 6IN
TUBR 166 083 179 00 DOE	17'-9"	TUBE W 1 HOLES 1-5/8 X14GX 17FT 9IN
TUBR 166 083 180 00 DOE	18'-0"	TUBE W 1 HOLES 1-5/8 X14GX 18FT
TUBR 166 083 183 00 DOE	18'-3"	TUBE W 1 HOLES 1-5/8 X14GX 18FT 3IN
TUBR 166 083 186 00 DOE	18'-6"	TUBE W 1 HOLES 1-5/8 X14GX 18FT 6IN
TUBR 166 083 189 00 DOE	18'-9"	TUBE W 1 HOLES 1-5/8 X14GX 18FT 9IN
TUBR 166 083 190 00 DOE	19'-0"	TUBE W 1 HOLES 1-5/8 X14GX 19FT
TUBR 166 083 193 00 DOE	19'-3"	TUBE W 1 HOLES 1-5/8 X14GX 19FT 3IN
TUBR 166 083 196 00 DOE	19'-6"	TUBE W 1 HOLES 1-5/8 X14GX 19FT 6IN
TUBR 166 083 199 00 DOE	19'-9"	TUBE W 1 HOLES 1-5/8 X14GX 19FT 9IN
TUBR 166 083 200 00 DOE	20'-0"	TUBE W 1 HOLES 1-5/8 X14GX 20FT
TUBR 166 083 203 00 DOE	20'-3"	TUBE W 1 HOLES 1-5/8 X14GX 20FT 3IN
TUBR 166 083 206 00 DOE	20'-6"	TUBE W 1 HOLES 1-5/8 X14GX 20FT 6IN
TUBR 166 083 209 00 DOE	20'-9"	TUBE W 1 HOLES 1-5/8 X14GX 20FT 9IN
TUBR 166 083 210 00 DOE	21'-0"	TUBE W 1 HOLES 1-5/8 X14GX 21FT

1 7/8" O.D. 14 GAUGE PIPE WITH HOLES ON ONE END

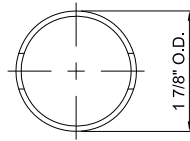
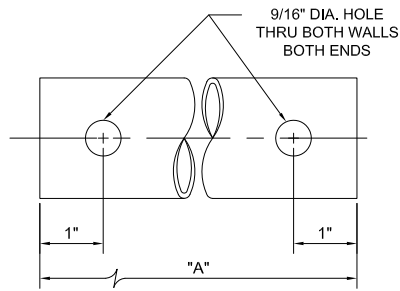


TUBR 190 083 ___ 00 DOE

PART NUMBER	"A"	DESCRIPTION
TUBR 190 083 010 00 DOE	1'-0"	TUBE W 1 HOLE 1-7/8 X14GX 1 FT
TUBR 190 083 013 00 DOE	1'-3"	TUBE W 1 HOLE 1-7/8 X14GX 1 FT 3IN
TUBR 190 083 016 00 DOE	1'-6"	TUBE W 1 HOLE 1-7/8 X14GX 1 FT 6IN
TUBR 190 083 019 00 DOE	1'-9"	TUBE W 1 HOLE 1-7/8 X14GX 1 FT 9IN
TUBR 190 083 020 00 DOE	2'-0"	TUBE W 1 HOLE 1-7/8 X14GX 2 FT
TUBR 190 083 023 00 DOE	2'-3"	TUBE W 1 HOLE 1-7/8 X14GX 2 FT 3IN
TUBR 190 083 026 00 DOE	2'-6"	TUBE W 1 HOLE 1-7/8 X14GX 2 FT 6IN
TUBR 190 083 029 00 DOE	2'-9"	TUBE W 1 HOLE 1-7/8 X14GX 2 FT 9IN
TUBR 190 083 030 00 DOE	3'-0"	TUBE W 1 HOLE 1-7/8 X14GX 3 FT
TUBR 190 083 033 00 DOE	3'-3"	TUBE W 1 HOLE 1-7/8 X14GX 3 FT 3IN
TUBR 190 083 036 00 DOE	3'-6"	TUBE W 1 HOLE 1-7/8 X14GX 3 FT 6IN
TUBR 190 083 039 00 DOE	3'-9"	TUBE W 1 HOLE 1-7/8 X14GX 3 FT 9IN
TUBR 190 083 040 00 DOE	4'-0"	TUBE W 1 HOLE 1-7/8 X14GX 4 FT
TUBR 190 083 043 00 DOE	4'-3"	TUBE W 1 HOLE 1-7/8 X14GX 4 FT 3IN
TUBR 190 083 046 00 DOE	4'-6"	TUBE W 1 HOLE 1-7/8 X14GX 4 FT 6IN
TUBR 190 083 049 00 DOE	4'-9"	TUBE W 1 HOLE 1-7/8 X14GX 4 FT 9IN
TUBR 190 083 050 00 DOE	5'-0"	TUBE W 1 HOLE 1-7/8 X14GX 5 FT
TUBR 190 083 053 00 DOE	5'-3"	TUBE W 1 HOLE 1-7/8 X14GX 5 FT 3IN
TUBR 190 083 056 00 DOE	5'-6"	TUBE W 1 HOLE 1-7/8 X14GX 5 FT 6IN
TUBR 190 083 059 00 DOE	5'-9"	TUBE W 1 HOLE 1-7/8 X14GX 5 FT 9IN
TUBR 190 083 060 00 DOE	6'-0"	TUBE W 1 HOLE 1-7/8 X14GX 6 FT
TUBR 190 083 063 00 DOE	6'-3"	TUBE W 1 HOLE 1-7/8 X14GX 6 FT 3IN
TUBR 190 083 066 00 DOE	6'-6"	TUBE W 1 HOLE 1-7/8 X14GX 6 FT 6IN
TUBR 190 083 069 00 DOE	6'-9"	TUBE W 1 HOLE 1-7/8 X14GX 6 FT 9IN
TUBR 190 083 070 00 DOE	7'-0"	TUBE W 1 HOLE 1-7/8 X14GX 7 FT
TUBR 190 083 073 00 DOE	7'-3"	TUBE W 1 HOLE 1-7/8 X14GX 7 FT 3IN
TUBR 190 083 076 00 DOE	7'-6"	TUBE W 1 HOLE 1-7/8 X14GX 7 FT 6IN
TUBR 190 083 079 00 DOE	7'-9"	TUBE W 1 HOLE 1-7/8 X14GX 7 FT 9IN
TUBR 190 083 080 00 DOE	8'-0"	TUBE W 1 HOLE 1-7/8 X14GX 8 FT
TUBR 190 083 083 00 DOE	8'-3"	TUBE W 1 HOLE 1-7/8 X14GX 8 FT 3IN
TUBR 190 083 086 00 DOE	8'-6"	TUBE W 1 HOLE 1-7/8 X14GX 8 FT 6IN
TUBR 190 083 089 00 DOE	8'-9"	TUBE W 1 HOLE 1-7/8 X14GX 8 FT 9IN
TUBR 190 083 090 00 DOE	9'-0"	TUBE W 1 HOLE 1-7/8 X14GX 9 FT
TUBR 190 083 093 00 DOE	9'-3"	TUBE W 1 HOLE 1-7/8 X14GX 9 FT 3IN
TUBR 190 083 096 00 DOE	9'-6"	TUBE W 1 HOLE 1-7/8 X14GX 9 FT 6IN
TUBR 190 083 099 00 DOE	9'-9"	TUBE W 1 HOLE 1-7/8 X14GX 9 FT 9IN
TUBR 190 083 100 00 DOE	10'-0"	TUBE W 1 HOLE 1-7/8 X14GX 10 FT
TUBR 190 083 103 00 DOE	10'-3"	TUBE W 1 HOLE 1-7/8 X14GX 10 FT 3IN
TUBR 190 083 106 00 DOE	10'-6"	TUBE W 1 HOLE 1-7/8 X14GX 10 FT 6IN
TUBR 190 083 109 00 DOE	10'-9"	TUBE W 1 HOLE 1-7/8 X14GX 10 FT 9IN
TUBR 190 083 110 00 DOE	11'-0"	TUBE W 1 HOLE 1-7/8 X14GX 11 FT

PART NUMBER	"A"	DESCRIPTION
TUBR 190 083 113 00 DOE	11'-3"	TUBE W 1 HOLE 1-7/8 X14GX 11FT 3IN
TUBR 190 083 116 00 DOE	11'-6"	TUBE W 1 HOLE 1-7/8 X14GX 11FT 6IN
TUBR 190 083 119 00 DOE	11'-9"	TUBE W 1 HOLE 1-7/8 X14GX 11FT 9IN
TUBR 190 083 120 00 DOE	12'-0"	TUBE W 1 HOLE 1-7/8 X14GX 12FT
TUBR 190 083 123 00 DOE	12'-3"	TUBE W 1 HOLE 1-7/8 X14GX 12FT 3IN
TUBR 190 083 126 00 DOE	12'-6"	TUBE W 1 HOLE 1-7/8 X14GX 12FT 6IN
TUBR 190 083 129 00 DOE	12'-9"	TUBE W 1 HOLE 1-7/8 X14GX 12FT 9IN
TUBR 190 083 130 00 DOE	13'-0"	TUBE W 1 HOLE 1-7/8 X14GX 13FT
TUBR 190 083 133 00 DOE	13'-3"	TUBE W 1 HOLE 1-7/8 X14GX 13FT 3IN
TUBR 190 083 136 00 DOE	13'-6"	TUBE W 1 HOLE 1-7/8 X14GX 13FT 6IN
TUBR 190 083 139 00 DOE	13'-9"	TUBE W 1 HOLE 1-7/8 X14GX 13FT 9IN
TUBR 190 083 140 00 DOE	14'-0"	TUBE W 1 HOLE 1-7/8 X14GX 14FT
TUBR 190 083 143 00 DOE	14'-3"	TUBE W 1 HOLE 1-7/8 X14GX 14FT 3IN
TUBR 190 083 146 00 DOE	14'-6"	TUBE W 1 HOLE 1-7/8 X14GX 14FT 6IN
TUBR 190 083 149 00 DOE	14'-9"	TUBE W 1 HOLE 1-7/8 X14GX 14FT 9IN
TUBR 190 083 150 00 DOE	15'-0"	TUBE W 1 HOLE 1-7/8 X14GX 15FT
TUBR 190 083 153 00 DOE	15'-3"	TUBE W 1 HOLE 1-7/8 X14GX 15FT 3IN
TUBR 190 083 156 00 DOE	15'-6"	TUBE W 1 HOLE 1-7/8 X14GX 15FT 6IN
TUBR 190 083 159 00 DOE	15'-9"	TUBE W 1 HOLE 1-7/8 X14GX 15FT 9IN
TUBR 190 083 160 00 DOE	16'-0"	TUBE W 1 HOLE 1-7/8 X14GX 16FT
TUBR 190 083 163 00 DOE	16'-3"	TUBE W 1 HOLE 1-7/8 X14GX 16FT 3IN
TUBR 190 083 166 00 DOE	16'-6"	TUBE W 1 HOLE 1-7/8 X14GX 16FT 6IN
TUBR 190 083 169 00 DOE	16'-9"	TUBE W 1 HOLE 1-7/8 X14GX 16FT 9IN
TUBR 190 083 170 00 DOE	17'-0"	TUBE W 1 HOLE 1-7/8 X14GX 17FT
TUBR 190 083 173 00 DOE	17'-3"	TUBE W 1 HOLE 1-7/8 X14GX 17FT 3IN
TUBR 190 083 176 00 DOE	17'-6"	TUBE W 1 HOLE 1-7/8 X14GX 17FT 6IN
TUBR 190 083 179 00 DOE	17'-9"	TUBE W 1 HOLE 1-7/8 X14GX 17FT 9IN
TUBR 190 083 180 00 DOE	18'-0"	TUBE W 1 HOLE 1-7/8 X14GX 18FT
TUBR 190 083 183 00 DOE	18'-3"	TUBE W 1 HOLE 1-7/8 X14GX 18FT 3IN
TUBR 190 083 186 00 DOE	18'-6"	TUBE W 1 HOLE 1-7/8 X14GX 18FT 6IN
TUBR 190 083 189 00 DOE	18'-9"	TUBE W 1 HOLE 1-7/8 X14GX 18FT 9IN
TUBR 190 083 190 00 DOE	19'-0"	TUBE W 1 HOLE 1-7/8 X14GX 19FT
TUBR 190 083 193 00 DOE	19'-3"	TUBE W 1 HOLE 1-7/8 X14GX 19FT 3IN
TUBR 190 083 196 00 DOE	19'-6"	TUBE W 1 HOLE 1-7/8 X14GX 19FT 6IN
TUBR 190 083 199 00 DOE	19'-9"	TUBE W 1 HOLE 1-7/8 X14GX 19FT 9IN
TUBR 190 083 200 00 DOE	20'-0"	TUBE W 1 HOLE 1-7/8 X14GX 20FT
TUBR 190 083 203 00 DOE	20'-3"	TUBE W 1 HOLE 1-7/8 X14GX 20FT 3IN
TUBR 190 083 206 00 DOE	20'-6"	TUBE W 1 HOLE 1-7/8 X14GX 20FT 6IN
TUBR 190 083 209 00 DOE	20'-9"	TUBE W 1 HOLE 1-7/8 X14GX 20FT 9IN
TUBR 190 083 210 00 DOE	21'-0"	TUBE W 1 HOLE 1-7/8 X14GX 21FT

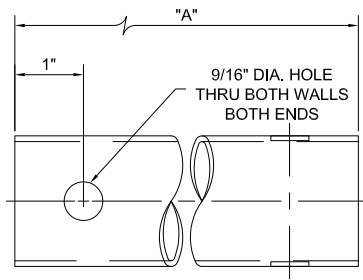
1 7/8" O.D. 14 GAUGE PIPE WITH HOLES ON BOTH ENDS



TUBR 190 083 _ _ _ 00 DBE

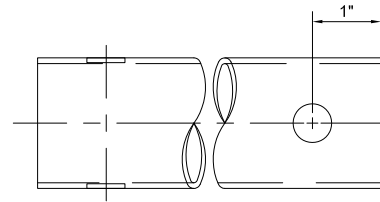
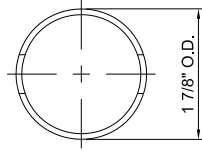
PART NUMBER	"A"	DESCRIPTION	PART NUMBER	"A"	DESCRIPTION
TUBR 190 083 010 00 DBE	1'-0"	TUBE W 2 HOLES 1-7/8 X14GX 1 FT	TUBR 190 083 113 00 DBE	11'-3"	TUBE W 2 HOLES 1-7/8 X14GX 11FT 3IN
TUBR 190 083 013 00 DBE	1'-3"	TUBE W 2 HOLES 1-7/8 X14GX 1 FT 3IN	TUBR 190 083 116 00 DBE	11'-6"	TUBE W 2 HOLES 1-7/8 X14GX 11FT 6IN
TUBR 190 083 016 00 DBE	1'-6"	TUBE W 2 HOLES 1-7/8 X14GX 1 FT 6IN	TUBR 190 083 119 00 DBE	11'-9"	TUBE W 2 HOLES 1-7/8 X14GX 11FT 9IN
TUBR 190 083 019 00 DBE	1'-9"	TUBE W 2 HOLES 1-7/8 X14GX 1 FT 9IN	TUBR 190 083 120 00 DBE	12'-0"	TUBE W 2 HOLES 1-7/8 X14GX 12FT
TUBR 190 083 020 00 DBE	2'-0"	TUBE W 2 HOLES 1-7/8 X14GX 2 FT	TUBR 190 083 123 00 DBE	12'-3"	TUBE W 2 HOLES 1-7/8 X14GX 12FT 3IN
TUBR 190 083 023 00 DBE	2'-3"	TUBE W 2 HOLES 1-7/8 X14GX 2 FT 3IN	TUBR 190 083 126 00 DBE	12'-6"	TUBE W 2 HOLES 1-7/8 X14GX 12FT 6IN
TUBR 190 083 026 00 DBE	2'-6"	TUBE W 2 HOLES 1-7/8 X14GX 2 FT 6IN	TUBR 190 083 129 00 DBE	12'-9"	TUBE W 2 HOLES 1-7/8 X14GX 12FT 9IN
TUBR 190 083 029 00 DBE	2'-9"	TUBE W 2 HOLES 1-7/8 X14GX 2 FT 9IN	TUBR 190 083 130 00 DBE	13'-0"	TUBE W 2 HOLES 1-7/8 X14GX 13FT
TUBR 190 083 030 00 DBE	3'-0"	TUBE W 2 HOLES 1-7/8 X14GX 3 FT	TUBR 190 083 133 00 DBE	13'-3"	TUBE W 2 HOLES 1-7/8 X14GX 13FT 3IN
TUBR 190 083 033 00 DBE	3'-3"	TUBE W 2 HOLES 1-7/8 X14GX 3 FT 3IN	TUBR 190 083 136 00 DBE	13'-6"	TUBE W 2 HOLES 1-7/8 X14GX 13FT 6IN
TUBR 190 083 036 00 DBE	3'-6"	TUBE W 2 HOLES 1-7/8 X14GX 3 FT 6IN	TUBR 190 083 139 00 DBE	13'-9"	TUBE W 2 HOLES 1-7/8 X14GX 13FT 9IN
TUBR 190 083 039 00 DBE	3'-9"	TUBE W 2 HOLES 1-7/8 X14GX 3 FT 9IN	TUBR 190 083 140 00 DBE	14'-0"	TUBE W 2 HOLES 1-7/8 X14GX 14FT
TUBR 190 083 040 00 DBE	4'-0"	TUBE W 2 HOLES 1-7/8 X14GX 4 FT	TUBR 190 083 143 00 DBE	14'-3"	TUBE W 2 HOLES 1-7/8 X14GX 14FT 3IN
TUBR 190 083 043 00 DBE	4'-3"	TUBE W 2 HOLES 1-7/8 X14GX 4 FT 3IN	TUBR 190 083 146 00 DBE	14'-6"	TUBE W 2 HOLES 1-7/8 X14GX 14FT 6IN
TUBR 190 083 046 00 DBE	4'-6"	TUBE W 2 HOLES 1-7/8 X14GX 4 FT 6IN	TUBR 190 083 149 00 DBE	14'-9"	TUBE W 2 HOLES 1-7/8 X14GX 14FT 9IN
TUBR 190 083 049 00 DBE	4'-9"	TUBE W 2 HOLES 1-7/8 X14GX 4 FT 9IN	TUBR 190 083 150 00 DBE	15'-0"	TUBE W 2 HOLES 1-7/8 X14GX 15FT
TUBR 190 083 050 00 DBE	5'-0"	TUBE W 2 HOLES 1-7/8 X14GX 5 FT	TUBR 190 083 153 00 DBE	15'-3"	TUBE W 2 HOLES 1-7/8 X14GX 15FT 3IN
TUBR 190 083 053 00 DBE	5'-3"	TUBE W 2 HOLES 1-7/8 X14GX 5 FT 3IN	TUBR 190 083 156 00 DBE	15'-6"	TUBE W 2 HOLES 1-7/8 X14GX 15FT 6IN
TUBR 190 083 056 00 DBE	5'-6"	TUBE W 2 HOLES 1-7/8 X14GX 5 FT 6IN	TUBR 190 083 159 00 DBE	15'-9"	TUBE W 2 HOLES 1-7/8 X14GX 15FT 9IN
TUBR 190 083 059 00 DBE	5'-9"	TUBE W 2 HOLES 1-7/8 X14GX 5 FT 9IN	TUBR 190 083 160 00 DBE	16'-0"	TUBE W 2 HOLES 1-7/8 X14GX 16FT
TUBR 190 083 060 00 DBE	6'-0"	TUBE W 2 HOLES 1-7/8 X14GX 6 FT	TUBR 190 083 163 00 DBE	16'-3"	TUBE W 2 HOLES 1-7/8 X14GX 16FT 3IN
TUBR 190 083 063 00 DBE	6'-3"	TUBE W 2 HOLES 1-7/8 X14GX 6 FT 3IN	TUBR 190 083 166 00 DBE	16'-6"	TUBE W 2 HOLES 1-7/8 X14GX 16FT 6IN
TUBR 190 083 066 00 DBE	6'-6"	TUBE W 2 HOLES 1-7/8 X14GX 6 FT 6IN	TUBR 190 083 169 00 DBE	16'-9"	TUBE W 2 HOLES 1-7/8 X14GX 16FT 9IN
TUBR 190 083 069 00 DBE	6'-9"	TUBE W 2 HOLES 1-7/8 X14GX 6 FT 9IN	TUBR 190 083 170 00 DBE	17'-0"	TUBE W 2 HOLES 1-7/8 X14GX 17FT
TUBR 190 083 070 00 DBE	7'-0"	TUBE W 2 HOLES 1-7/8 X14GX 7 FT	TUBR 190 083 173 00 DBE	17'-3"	TUBE W 2 HOLES 1-7/8 X14GX 17FT 3IN
TUBR 190 083 073 00 DBE	7'-3"	TUBE W 2 HOLES 1-7/8 X14GX 7 FT 3IN	TUBR 190 083 176 00 DBE	17'-6"	TUBE W 2 HOLES 1-7/8 X14GX 17FT 6IN
TUBR 190 083 076 00 DBE	7'-6"	TUBE W 2 HOLES 1-7/8 X14GX 7 FT 6IN	TUBR 190 083 179 00 DBE	17'-9"	TUBE W 2 HOLES 1-7/8 X14GX 17FT 9IN
TUBR 190 083 079 00 DBE	7'-9"	TUBE W 2 HOLES 1-7/8 X14GX 7 FT 9IN	TUBR 190 083 180 00 DBE	18'-0"	TUBE W 2 HOLES 1-7/8 X14GX 18FT
TUBR 190 083 080 00 DBE	8'-0"	TUBE W 2 HOLES 1-7/8 X14GX 8 FT	TUBR 190 083 183 00 DBE	18'-3"	TUBE W 2 HOLES 1-7/8 X14GX 18FT 3IN
TUBR 190 083 083 00 DBE	8'-3"	TUBE W 2 HOLES 1-7/8 X14GX 8 FT 3IN	TUBR 190 083 186 00 DBE	18'-6"	TUBE W 2 HOLES 1-7/8 X14GX 18FT 6IN
TUBR 190 083 086 00 DBE	8'-6"	TUBE W 2 HOLES 1-7/8 X14GX 8 FT 6IN	TUBR 190 083 189 00 DBE	18'-9"	TUBE W 2 HOLES 1-7/8 X14GX 18FT 9IN
TUBR 190 083 089 00 DBE	8'-9"	TUBE W 2 HOLES 1-7/8 X14GX 8 FT 9IN	TUBR 190 083 190 00 DBE	19'-0"	TUBE W 2 HOLES 1-7/8 X14GX 19FT
TUBR 190 083 090 00 DBE	9'-0"	TUBE W 2 HOLES 1-7/8 X14GX 9 FT	TUBR 190 083 193 00 DBE	19'-3"	TUBE W 2 HOLES 1-7/8 X14GX 19FT 3IN
TUBR 190 083 093 00 DBE	9'-3"	TUBE W 2 HOLES 1-7/8 X14GX 9 FT 3IN	TUBR 190 083 196 00 DBE	19'-6"	TUBE W 2 HOLES 1-7/8 X14GX 19FT 6IN
TUBR 190 083 096 00 DBE	9'-6"	TUBE W 2 HOLES 1-7/8 X14GX 9 FT 6IN	TUBR 190 083 199 00 DBE	19'-9"	TUBE W 2 HOLES 1-7/8 X14GX 19FT 9IN
TUBR 190 083 099 00 DBE	9'-9"	TUBE W 2 HOLES 1-7/8 X14GX 9 FT 9IN	TUBR 190 083 200 00 DBE	20'-0"	TUBE W 2 HOLES 1-7/8 X14GX 20FT
TUBR 190 083 100 00 DBE	10'-0"	TUBE W 2 HOLES 1-7/8 X14GX 10 FT	TUBR 190 083 203 00 DBE	20'-3"	TUBE W 2 HOLES 1-7/8 X14GX 20FT 3IN
TUBR 190 083 103 00 DBE	10'-3"	TUBE W 2 HOLES 1-7/8 X14GX 10 FT 3IN	TUBR 190 083 206 00 DBE	20'-6"	TUBE W 2 HOLES 1-7/8 X14GX 20FT 6IN
TUBR 190 083 106 00 DBE	10'-6"	TUBE W 2 HOLES 1-7/8 X14GX 10 FT 6IN	TUBR 190 083 209 00 DBE	20'-9"	TUBE W 2 HOLES 1-7/8 X14GX 20FT 9IN
TUBR 190 083 109 00 DBE	10'-9"	TUBE W 2 HOLES 1-7/8 X14GX 10 FT 9IN	TUBR 190 083 210 00 DBE	21'-0"	TUBE W 2 HOLES 1-7/8 X14GX 21FT
TUBR 190 083 110 00 DBE	11'-0"	TUBE W 2 HOLES 1-7/8 X14GX 11 FT			

1 7/8" O.D. 14 GAUGE PIPE WITH HOLES ON BOTH ENDS DRILLED AT A RIGHT ANGLE



PART LENGTHS WITH HATCH
MAY NOT BE AVAILABLE IN
QUOTER. PLEASE SEE TECH
REP WITH ANY QUESTIONS.

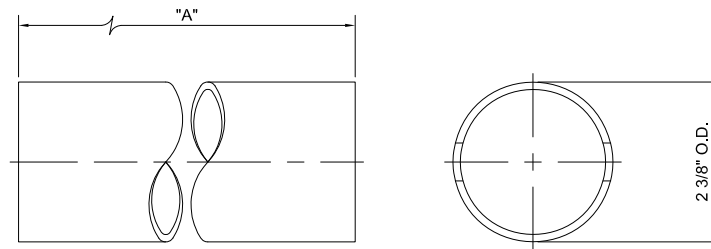
TUBR 190 083 ___ 00 DRA



PART NUMBER	"A"	DESCRIPTION	PART NUMBER	"A"	DESCRIPTION
TUBR 190 083 010 00 DRA	1'-0"	TUBE W 2 HOLES 1-7/8 X14GX 1 FT	TUBR 190 083 113 00 DRA	11'-3"	TUBE W 2 HOLES 1-7/8 X14GX 11FT 3IN
TUBR 190 083 013 00 DRA	1'-3"	TUBE W 2 HOLES 1-7/8 X14GX 1 FT 3IN	TUBR 190 083 116 00 DRA	11'-6"	TUBE W 2 HOLES 1-7/8 X14GX 11FT 6IN
TUBR 190 083 016 00 DRA	1'-6"	TUBE W 2 HOLES 1-7/8 X14GX 1 FT 6IN	TUBR 190 083 119 00 DRA	11'-9"	TUBE W 2 HOLES 1-7/8 X14GX 11FT 9IN
TUBR 190 083 019 00 DRA	1'-9"	TUBE W 2 HOLES 1-7/8 X14GX 1 FT 9IN	TUBR 190 083 120 00 DRA	12'-0"	TUBE W 2 HOLES 1-7/8 X14GX 12FT
TUBR 190 083 020 00 DRA	2'-0"	TUBE W 2 HOLES 1-7/8 X14GX 2 FT	TUBR 190 083 123 00 DRA	12'-3"	TUBE W 2 HOLES 1-7/8 X14GX 12FT 3IN
TUBR 190 083 023 00 DRA	2'-3"	TUBE W 2 HOLES 1-7/8 X14GX 2 FT 3IN	TUBR 190 083 126 00 DRA	12'-6"	TUBE W 2 HOLES 1-7/8 X14GX 12FT 6IN
TUBR 190 083 026 00 DRA	2'-6"	TUBE W 2 HOLES 1-7/8 X14GX 2 FT 6IN	TUBR 190 083 129 00 DRA	12'-9"	TUBE W 2 HOLES 1-7/8 X14GX 12FT 9IN
TUBR 190 083 029 00 DRA	2'-9"	TUBE W 2 HOLES 1-7/8 X14GX 2 FT 9IN	TUBR 190 083 130 00 DRA	13'-0"	TUBE W 2 HOLES 1-7/8 X14GX 13FT
TUBR 190 083 030 00 DRA	3'-0"	TUBE W 2 HOLES 1-7/8 X14GX 3 FT	TUBR 190 083 133 00 DRA	13'-3"	TUBE W 2 HOLES 1-7/8 X14GX 13FT 3IN
TUBR 190 083 033 00 DRA	3'-3"	TUBE W 2 HOLES 1-7/8 X14GX 3 FT 3IN	TUBR 190 083 136 00 DRA	13'-6"	TUBE W 2 HOLES 1-7/8 X14GX 13FT 6IN
TUBR 190 083 036 00 DRA	3'-6"	TUBE W 2 HOLES 1-7/8 X14GX 3 FT 6IN	TUBR 190 083 139 00 DRA	13'-9"	TUBE W 2 HOLES 1-7/8 X14GX 13FT 9IN
TUBR 190 083 039 00 DRA	3'-9"	TUBE W 2 HOLES 1-7/8 X14GX 3 FT 9IN	TUBR 190 083 140 00 DRA	14'-0"	TUBE W 2 HOLES 1-7/8 X14GX 14FT
TUBR 190 083 040 00 DRA	4'-0"	TUBE W 2 HOLES 1-7/8 X14GX 4 FT	TUBR 190 083 143 00 DRA	14'-3"	TUBE W 2 HOLES 1-7/8 X14GX 14FT 3IN
TUBR 190 083 043 00 DRA	4'-3"	TUBE W 2 HOLES 1-7/8 X14GX 4 FT 3IN	TUBR 190 083 146 00 DRA	14'-6"	TUBE W 2 HOLES 1-7/8 X14GX 14FT 6IN
TUBR 190 083 046 00 DRA	4'-6"	TUBE W 2 HOLES 1-7/8 X14GX 4 FT 6IN	TUBR 190 083 149 00 DRA	14'-9"	TUBE W 2 HOLES 1-7/8 X14GX 14FT 9IN
TUBR 190 083 049 00 DRA	4'-9"	TUBE W 2 HOLES 1-7/8 X14GX 4 FT 9IN	TUBR 190 083 150 00 DRA	15'-0"	TUBE W 2 HOLES 1-7/8 X14GX 15FT
TUBR 190 083 050 00 DRA	5'-0"	TUBE W 2 HOLES 1-7/8 X14GX 5 FT	TUBR 190 083 153 00 DRA	15'-3"	TUBE W 2 HOLES 1-7/8 X14GX 15FT 3IN
TUBR 190 083 053 00 DRA	5'-3"	TUBE W 2 HOLES 1-7/8 X14GX 5 FT 3IN	TUBR 190 083 156 00 DRA	15'-6"	TUBE W 2 HOLES 1-7/8 X14GX 15FT 6IN
TUBR 190 083 056 00 DRA	5'-6"	TUBE W 2 HOLES 1-7/8 X14GX 5 FT 6IN	TUBR 190 083 159 00 DRA	15'-9"	TUBE W 2 HOLES 1-7/8 X14GX 15FT 9IN
TUBR 190 083 059 00 DRA	5'-9"	TUBE W 2 HOLES 1-7/8 X14GX 5 FT 9IN	TUBR 190 083 160 00 DRA	16'-0"	TUBE W 2 HOLES 1-7/8 X14GX 16FT
TUBR 190 083 060 00 DRA	6'-0"	TUBE W 2 HOLES 1-7/8 X14GX 6 FT	TUBR 190 083 163 00 DRA	16'-3"	TUBE W 2 HOLES 1-7/8 X14GX 16FT 3IN
TUBR 190 083 063 00 DRA	6'-3"	TUBE W 2 HOLES 1-7/8 X14GX 6 FT 3IN	TUBR 190 083 166 00 DRA	16'-6"	TUBE W 2 HOLES 1-7/8 X14GX 16FT 6IN
TUBR 190 083 066 00 DRA	6'-6"	TUBE W 2 HOLES 1-7/8 X14GX 6 FT 6IN	TUBR 190 083 169 00 DRA	16'-9"	TUBE W 2 HOLES 1-7/8 X14GX 16FT 9IN
TUBR 190 083 069 00 DRA	6'-9"	TUBE W 2 HOLES 1-7/8 X14GX 6 FT 9IN	TUBR 190 083 170 00 DRA	17'-0"	TUBE W 2 HOLES 1-7/8 X14GX 17FT
TUBR 190 083 070 00 DRA	7'-0"	TUBE W 2 HOLES 1-7/8 X14GX 7 FT	TUBR 190 083 173 00 DRA	17'-3"	TUBE W 2 HOLES 1-7/8 X14GX 17FT 3IN
TUBR 190 083 073 00 DRA	7'-3"	TUBE W 2 HOLES 1-7/8 X14GX 7 FT 3IN	TUBR 190 083 176 00 DRA	17'-6"	TUBE W 2 HOLES 1-7/8 X14GX 17FT 6IN
TUBR 190 083 076 00 DRA	7'-6"	TUBE W 2 HOLES 1-7/8 X14GX 7 FT 6IN	TUBR 190 083 179 00 DRA	17'-9"	TUBE W 2 HOLES 1-7/8 X14GX 17FT 9IN
TUBR 190 083 079 00 DRA	7'-9"	TUBE W 2 HOLES 1-7/8 X14GX 7 FT 9IN	TUBR 190 083 180 00 DRA	18'-0"	TUBE W 2 HOLES 1-7/8 X14GX 18FT
TUBR 190 083 080 00 DRA	8'-0"	TUBE W 2 HOLES 1-7/8 X14GX 8 FT	TUBR 190 083 183 00 DRA	18'-3"	TUBE W 2 HOLES 1-7/8 X14GX 18FT 3IN
TUBR 190 083 083 00 DRA	8'-3"	TUBE W 2 HOLES 1-7/8 X14GX 8 FT 3IN	TUBR 190 083 186 00 DRA	18'-6"	TUBE W 2 HOLES 1-7/8 X14GX 18FT 6IN
TUBR 190 083 086 00 DRA	8'-6"	TUBE W 2 HOLES 1-7/8 X14GX 8 FT 6IN	TUBR 190 083 189 00 DRA	18'-9"	TUBE W 2 HOLES 1-7/8 X14GX 18FT 9IN
TUBR 190 083 089 00 DRA	8'-9"	TUBE W 2 HOLES 1-7/8 X14GX 8 FT 9IN	TUBR 190 083 190 00 DRA	19'-0"	TUBE W 2 HOLES 1-7/8 X14GX 19FT
TUBR 190 083 090 00 DRA	9'-0"	TUBE W 2 HOLES 1-7/8 X14GX 9 FT	TUBR 190 083 193 00 DRA	19'-3"	TUBE W 2 HOLES 1-7/8 X14GX 19FT 3IN
TUBR 190 083 093 00 DRA	9'-3"	TUBE W 2 HOLES 1-7/8 X14GX 9 FT 3IN	TUBR 190 083 196 00 DRA	19'-6"	TUBE W 2 HOLES 1-7/8 X14GX 19FT 6IN
TUBR 190 083 096 00 DRA	9'-6"	TUBE W 2 HOLES 1-7/8 X14GX 9 FT 6IN	TUBR 190 083 199 00 DRA	19'-9"	TUBE W 2 HOLES 1-7/8 X14GX 19FT 9IN
TUBR 190 083 099 00 DRA	9'-9"	TUBE W 2 HOLES 1-7/8 X14GX 9 FT 9IN	TUBR 190 083 200 00 DRA	20'-0"	TUBE W 2 HOLES 1-7/8 X14GX 20FT
TUBR 190 083 100 00 DRA	10'-0"	TUBE W 2 HOLES 1-7/8 X14GX 10 FT	TUBR 190 083 203 00 DRA	20'-3"	TUBE W 2 HOLES 1-7/8 X14GX 20FT 3IN
TUBR 190 083 103 00 DRA	10'-3"	TUBE W 2 HOLES 1-7/8 X14GX 10 FT 3IN	TUBR 190 083 206 00 DRA	20'-6"	TUBE W 2 HOLES 1-7/8 X14GX 20FT 6IN
TUBR 190 083 106 00 DRA	10'-6"	TUBE W 2 HOLES 1-7/8 X14GX 10 FT 6IN	TUBR 190 083 209 00 DRA	20'-9"	TUBE W 2 HOLES 1-7/8 X14GX 20FT 9IN
TUBR 190 083 109 00 DRA	10'-9"	TUBE W 2 HOLES 1-7/8 X14GX 10 FT 9IN	TUBR 190 083 210 00 DRA	21'-0"	TUBE W 2 HOLES 1-7/8 X14GX 21FT
TUBR 190 083 110 00 DRA	11'-0"	TUBE W 2 HOLES 1-7/8 X14GX 11 FT			

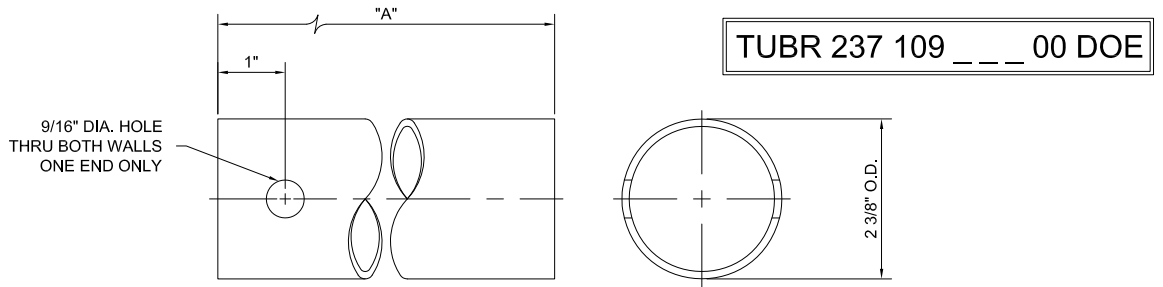
2 3/8" O.D. 12 GAUGE PIPE

TUBR 00756 _ _ _



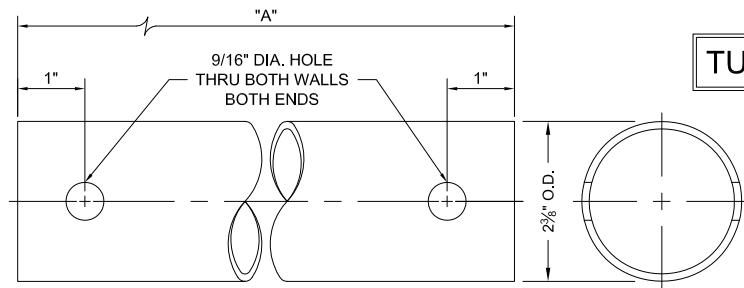
PART NUMBER	"A"	DESCRIPTION
TUBR 00756 010	1'-0"	CUT TUBE 2-3/8" X 12G X 1FT LG.
TUBR 00756 019	1'-9"	CUT TUBE 2-3/8" X 12G X 1FT 9IN LG.
TUBR 00756 020	2'-0"	CUT TUBE 2-3/8" X 12G X 2FT LG.
TUBR 00756 026	2'-6"	CUT TUBE 2-3/8" X 12G X 2FT 6IN LG.
TUBR 00756 030	3'-0"	CUT TUBE 2-3/8" X 12G X 3FT LG.
TUBR 00756 040	4'-0"	CUT TUBE 2-3/8" X 12G X 4FT LG.
TUBR 00756 046	4'-6"	CUT TUBE 2-3/8" X 12G X 4FT 6IN LG.
TUBR 00756 050	5'-0"	CUT TUBE 2-3/8" X 12G X 5FT LG.
TUBR 00756 056	5'-6"	CUT TUBE 2-3/8" X 12G X 5FT 6IN LG.
TUBR 00756 060	6'-0"	CUT TUBE 2-3/8" X 12G X 6FT LG.
TUBR 00756 066	6'-6"	CUT TUBE 2-3/8" X 12G X 6FT 6IN LG.
TUBR 00756 070	7'-0"	CUT TUBE 2-3/8" X 12G X 7FT LG.
TUBR 00756 076	7'-6"	CUT TUBE 2-3/8" X 12G X 7FT 6IN LG.
TUBR 00756 080	8'-0"	CUT TUBE 2-3/8" X 12G X 8FT LG.
TUBR 00756 086	8'-6"	CUT TUBE 2-3/8" X 12G X 8FT 6IN LG.
TUBR 00756 090	9'-0"	CUT TUBE 2-3/8" X 12G X 9FT LG.
TUBR 00756 096	9'-6"	CUT TUBE 2-3/8" X 12G X 9FT 6IN LG.
TUBR 00756 100	10'-0"	CUT TUBE 2-3/8" X 12G X 10FT LG.
TUBR 00756 106	10'-6"	CUT TUBE 2-3/8" X 12G X 10FT 6IN LG.
TUBR 00756 110	11'-0"	CUT TUBE 2-3/8" X 12G X 11FT LG.
TUBR 00756 116	11'-6"	CUT TUBE 2-3/8" X 12G X 11FT 6IN LG.
TUBR 00756 120	12'-0"	CUT TUBE 2-3/8" X 12G X 12FT LG.
TUBR 00756 126	12'-6"	CUT TUBE 2-3/8" X 12G X 12FT 6IN LG.
TUBR 00756 130	13'-0"	CUT TUBE 2-3/8" X 12G X 13FT LG.
TUBR 00756 136	13'-6"	CUT TUBE 2-3/8" X 12G X 13FT 6IN LG.
TUBR 00756 140	14'-0"	CUT TUBE 2-3/8" X 12G X 14FT LG.
TUBR 00756 146	14'-6"	CUT TUBE 2-3/8" X 12G X 14FT 6IN LG.
TUBR 00756 150	15'-0"	CUT TUBE 2-3/8" X 12G X 15FT LG.
TUBR 00756 156	15'-6"	CUT TUBE 2-3/8" X 12G X 15FT 6IN LG.
TUBR 00756 160	16'-0"	CUT TUBE 2-3/8" X 12G X 16FT LG.
TUBR 00756 166	16'-6"	CUT TUBE 2-3/8" X 12G X 16FT 6IN LG.
TUBR 00756 170	17'-0"	CUT TUBE 2-3/8" X 12G X 17FT LG.
TUBR 00756 176	17'-6"	CUT TUBE 2-3/8" X 12G X 17FT 6IN LG.
TUBR 00756 180	18'-0"	CUT TUBE 2-3/8" X 12G X 18FT LG.
TUBR 00756 186	18'-6"	CUT TUBE 2-3/8" X 12G X 18FT 6IN LG.
TUBR 00756 190	19'-0"	CUT TUBE 2-3/8" X 12G X 19FT LG.
TUBR 00756 196	19'-6"	CUT TUBE 2-3/8" X 12G X 19FT 6IN LG.
TUBR 00756 200	20'-0"	CUT TUBE 2-3/8" X 12G X 20FT LG.
TUBR 00756 206	20'-6"	CUT TUBE 2-3/8" X 12G X 20FT 6IN LG.
TUBR 00756 210	21'-0"	CUT TUBE 2-3/8" X 12G X 21FT LG.

2 3/8" O.D. 12 GAUGE PIPE WITH HOLE ON ONE END



PART NUMBER	"A"	DESCRIPTION	PART NUMBER	"A"	DESCRIPTION
TUBR 237 109 010 00 DOE	1'-0"	TUBE W 1 HOLE 2-3/8 X12GX 1 FT	TUBR 237 109 113 00 DOE	11'-3"	TUBE W 1 HOLE 2-3/8 X12GX 11FT 3IN
TUBR 237 109 013 00 DOE	1'-3"	TUBE W 1 HOLE 2-3/8 X12GX 1 FT 3IN	TUBR 237 109 116 00 DOE	11'-6"	TUBE W 1 HOLE 2-3/8 X12GX 11FT 6IN
TUBR 237 109 016 00 DOE	1'-6"	TUBE W 1 HOLE 2-3/8 X12GX 1 FT 6IN	TUBR 237 109 119 00 DOE	11'-9"	TUBE W 1 HOLE 2-3/8 X12GX 11FT 9IN
TUBR 237 109 019 00 DOE	1'-9"	TUBE W 1 HOLE 2-3/8 X12GX 1 FT 9IN	TUBR 237 109 120 00 DOE	12'-0"	TUBE W 1 HOLE 2-3/8 X12GX 12FT
TUBR 237 109 020 00 DOE	2'-0"	TUBE W 1 HOLE 2-3/8 X12GX 2 FT	TUBR 237 109 123 00 DOE	12'-3"	TUBE W 1 HOLE 2-3/8 X12GX 12FT 3IN
TUBR 237 109 023 00 DOE	2'-3"	TUBE W 1 HOLE 2-3/8 X12GX 2 FT 3IN	TUBR 237 109 126 00 DOE	12'-6"	TUBE W 1 HOLE 2-3/8 X12GX 12FT 6IN
TUBR 237 109 026 00 DOE	2'-6"	TUBE W 1 HOLE 2-3/8 X12GX 2 FT 6IN	TUBR 237 109 129 00 DOE	12'-9"	TUBE W 1 HOLE 2-3/8 X12GX 12FT 9IN
TUBR 237 109 029 00 DOE	2'-9"	TUBE W 1 HOLE 2-3/8 X12GX 2 FT 9IN	TUBR 237 109 130 00 DOE	13'-0"	TUBE W 1 HOLE 2-3/8 X12GX 13FT
TUBR 237 109 030 00 DOE	3'-0"	TUBE W 1 HOLE 2-3/8 X12GX 3 FT	TUBR 237 109 133 00 DOE	13'-3"	TUBE W 1 HOLE 2-3/8 X12GX 13FT 3IN
TUBR 237 109 033 00 DOE	3'-3"	TUBE W 1 HOLE 2-3/8 X12GX 3 FT 3IN	TUBR 237 109 136 00 DOE	13'-6"	TUBE W 1 HOLE 2-3/8 X12GX 13FT 6IN
TUBR 237 109 036 00 DOE	3'-6"	TUBE W 1 HOLE 2-3/8 X12GX 3 FT 6IN	TUBR 237 109 139 00 DOE	13'-9"	TUBE W 1 HOLE 2-3/8 X12GX 13FT 9IN
TUBR 237 109 039 00 DOE	3'-9"	TUBE W 1 HOLE 2-3/8 X12GX 3 FT 9IN	TUBR 237 109 140 00 DOE	14'-0"	TUBE W 1 HOLE 2-3/8 X12GX 14FT
TUBR 237 109 040 00 DOE	4'-0"	TUBE W 1 HOLE 2-3/8 X12GX 4 FT	TUBR 237 109 143 00 DOE	14'-3"	TUBE W 1 HOLE 2-3/8 X12GX 14FT 3IN
TUBR 237 109 043 00 DOE	4'-3"	TUBE W 1 HOLE 2-3/8 X12GX 4 FT 3IN	TUBR 237 109 146 00 DOE	14'-6"	TUBE W 1 HOLE 2-3/8 X12GX 14FT 6IN
TUBR 237 109 046 00 DOE	4'-6"	TUBE W 1 HOLE 2-3/8 X12GX 4 FT 6IN	TUBR 237 109 149 00 DOE	14'-9"	TUBE W 1 HOLE 2-3/8 X12GX 14FT 9IN
TUBR 237 109 049 00 DOE	4'-9"	TUBE W 1 HOLE 2-3/8 X12GX 4 FT 9IN	TUBR 237 109 150 00 DOE	15'-0"	TUBE W 1 HOLE 2-3/8 X12GX 15FT
TUBR 237 109 050 00 DOE	5'-0"	TUBE W 1 HOLE 2-3/8 X12GX 5 FT	TUBR 237 109 153 00 DOE	15'-3"	TUBE W 1 HOLE 2-3/8 X12GX 15FT 3IN
TUBR 237 109 053 00 DOE	5'-3"	TUBE W 1 HOLE 2-3/8 X12GX 5 FT 3IN	TUBR 237 109 156 00 DOE	15'-6"	TUBE W 1 HOLE 2-3/8 X12GX 15FT 6IN
TUBR 237 109 056 00 DOE	5'-6"	TUBE W 1 HOLE 2-3/8 X12GX 5 FT 6IN	TUBR 237 109 159 00 DOE	15'-9"	TUBE W 1 HOLE 2-3/8 X12GX 15FT 9IN
TUBR 237 109 059 00 DOE	5'-9"	TUBE W 1 HOLE 2-3/8 X12GX 5 FT 9IN	TUBR 237 109 160 00 DOE	16'-0"	TUBE W 1 HOLE 2-3/8 X12GX 16FT
TUBR 237 109 060 00 DOE	6'-0"	TUBE W 1 HOLE 2-3/8 X12GX 6 FT	TUBR 237 109 163 00 DOE	16'-3"	TUBE W 1 HOLE 2-3/8 X12GX 16FT 3IN
TUBR 237 109 063 00 DOE	6'-3"	TUBE W 1 HOLE 2-3/8 X12GX 6 FT 3IN	TUBR 237 109 166 00 DOE	16'-6"	TUBE W 1 HOLE 2-3/8 X12GX 16FT 6IN
TUBR 237 109 066 00 DOE	6'-6"	TUBE W 1 HOLE 2-3/8 X12GX 6 FT 6IN	TUBR 237 109 169 00 DOE	16'-9"	TUBE W 1 HOLE 2-3/8 X12GX 16FT 9IN
TUBR 237 109 069 00 DOE	6'-9"	TUBE W 1 HOLE 2-3/8 X12GX 6 FT 9IN	TUBR 237 109 170 00 DOE	17'-0"	TUBE W 1 HOLE 2-3/8 X12GX 17FT
TUBR 237 109 070 00 DOE	7'-0"	TUBE W 1 HOLE 2-3/8 X12GX 7 FT	TUBR 237 109 173 00 DOE	17'-3"	TUBE W 1 HOLE 2-3/8 X12GX 17FT 3IN
TUBR 237 109 073 00 DOE	7'-3"	TUBE W 1 HOLE 2-3/8 X12GX 7 FT 3IN	TUBR 237 109 176 00 DOE	17'-6"	TUBE W 1 HOLE 2-3/8 X12GX 17FT 6IN
TUBR 237 109 076 00 DOE	7'-6"	TUBE W 1 HOLE 2-3/8 X12GX 7 FT 6IN	TUBR 237 109 179 00 DOE	17'-9"	TUBE W 1 HOLE 2-3/8 X12GX 17FT 9IN
TUBR 237 109 079 00 DOE	7'-9"	TUBE W 1 HOLE 2-3/8 X12GX 7 FT 9IN	TUBR 237 109 180 00 DOE	18'-0"	TUBE W 1 HOLE 2-3/8 X12GX 18FT
TUBR 237 109 080 00 DOE	8'-0"	TUBE W 1 HOLE 2-3/8 X12GX 8 FT	TUBR 237 109 183 00 DOE	18'-3"	TUBE W 1 HOLE 2-3/8 X12GX 18FT 3IN
TUBR 237 109 083 00 DOE	8'-3"	TUBE W 1 HOLE 2-3/8 X12GX 8 FT 3IN	TUBR 237 109 186 00 DOE	18'-6"	TUBE W 1 HOLE 2-3/8 X12GX 18FT 6IN
TUBR 237 109 086 00 DOE	8'-6"	TUBE W 1 HOLE 2-3/8 X12GX 8 FT 6IN	TUBR 237 109 189 00 DOE	18'-9"	TUBE W 1 HOLE 2-3/8 X12GX 18FT 9IN
TUBR 237 109 089 00 DOE	8'-9"	TUBE W 1 HOLE 2-3/8 X12GX 8 FT 9IN	TUBR 237 109 190 00 DOE	19'-0"	TUBE W 1 HOLE 2-3/8 X12GX 19FT
TUBR 237 109 090 00 DOE	9'-0"	TUBE W 1 HOLE 2-3/8 X12GX 9 FT	TUBR 237 109 193 00 DOE	19'-3"	TUBE W 1 HOLE 2-3/8 X12GX 19FT 3IN
TUBR 237 109 093 00 DOE	9'-3"	TUBE W 1 HOLE 2-3/8 X12GX 9 FT 3IN	TUBR 237 109 196 00 DOE	19'-6"	TUBE W 1 HOLE 2-3/8 X12GX 19FT 6IN
TUBR 237 109 096 00 DOE	9'-6"	TUBE W 1 HOLE 2-3/8 X12GX 9 FT 6IN	TUBR 237 109 199 00 DOE	19'-9"	TUBE W 1 HOLE 2-3/8 X12GX 19FT 9IN
TUBR 237 109 099 00 DOE	9'-9"	TUBE W 1 HOLE 2-3/8 X12GX 9 FT 9IN	TUBR 237 109 200 00 DOE	20'-0"	TUBE W 1 HOLE 2-3/8 X12GX 20FT
TUBR 237 109 100 00 DOE	10'-0"	TUBE W 1 HOLE 2-3/8 X12GX 10FT	TUBR 237 109 203 00 DOE	20'-3"	TUBE W 1 HOLE 2-3/8 X12GX 20FT 3IN
TUBR 237 109 103 00 DOE	10'-3"	TUBE W 1 HOLE 2-3/8 X12GX 10FT 3IN	TUBR 237 109 206 00 DOE	20'-6"	TUBE W 1 HOLE 2-3/8 X12GX 20FT 6IN
TUBR 237 109 106 00 DOE	10'-6"	TUBE W 1 HOLE 2-3/8 X12GX 10FT 6IN	TUBR 237 109 209 00 DOE	20'-9"	TUBE W 1 HOLE 2-3/8 X12GX 20FT 9IN
TUBR 237 109 109 00 DOE	10'-9"	TUBE W 1 HOLE 2-3/8 X12GX 10FT 9IN	TUBR 237 109 210 00 DOE	21'-0"	TUBE W 1 HOLE 2-3/8 X12GX 21FT
TUBR 237 109 110 00 DOE	11'-0"	TUBE W 1 HOLE 2-3/8 X12GX 11FT			

2 3/8" O.D. 12 GAUGE PIPE WITH HOLES ON BOTH ENDS

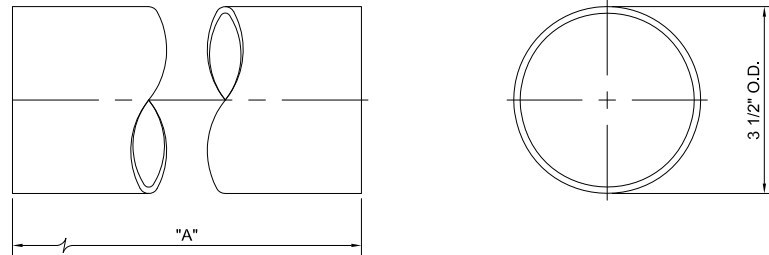


TUBR 237 109 ___ 00 DBE

PART NUMBER	"A"	DESCRIPTION	PART NUMBER	"A"	DESCRIPTION
TUBR 237 109 010 00 DBE	1'-0"	TUBE W/2 HOLES 2-3/8 X12GX 1 FT	TUBR 237 109 113 00 DBE	11'-3"	TUBE W/2 HOLES 2-3/8 X12GX 11FT 3IN
TUBR 237 109 013 00 DBE	1'-3"	TUBE W/2 HOLES 2-3/8 X12GX 1 FT 3IN	TUBR 237 109 116 00 DBE	11'-6"	TUBE W/2 HOLES 2-3/8 X12GX 11FT 6IN
TUBR 237 109 016 00 DBE	1'-6"	TUBE W/2 HOLES 2-3/8 X12GX 1 FT 6IN	TUBR 237 109 119 00 DBE	11'-9"	TUBE W/2 HOLES 2-3/8 X12GX 11FT 9IN
TUBR 237 109 019 00 DBE	1'-9"	TUBE W/2 HOLES 2-3/8 X12GX 1 FT 9IN	TUBR 237 109 120 00 DBE	12'-0"	TUBE W/2 HOLES 2-3/8 X12GX 12FT
TUBR 237 109 020 00 DBE	2'-0"	TUBE W/2 HOLES 2-3/8 X12GX 2 FT	TUBR 237 109 123 00 DBE	12'-3"	TUBE W/2 HOLES 2-3/8 X12GX 11FT 3IN
TUBR 237 109 023 00 DBE	2'-3"	TUBE W/2 HOLES 2-3/8 X12GX 2 FT 3IN	TUBR 237 109 126 00 DBE	12'-6"	TUBE W/2 HOLES 2-3/8 X12GX 11FT 6IN
TUBR 237 109 026 00 DBE	2'-6"	TUBE W/2 HOLES 2-3/8 X12GX 2 FT 6IN	TUBR 237 109 129 00 DBE	12'-9"	TUBE W/2 HOLES 2-3/8 X12GX 11FT 9IN
TUBR 237 109 029 00 DBE	2'-9"	TUBE W/2 HOLES 2-3/8 X12GX 2 FT 9IN	TUBR 237 109 130 00 DBE	13'-0"	TUBE W/2 HOLES 2-3/8 X12GX 12FT
TUBR 237 109 030 00 DBE	3'-0"	TUBE W/2 HOLES 2-3/8 X12GX 3 FT	TUBR 237 109 133 00 DBE	13'-3"	TUBE W/2 HOLES 2-3/8 X12GX 11FT 3IN
TUBR 237 109 033 00 DBE	3'-3"	TUBE W/2 HOLES 2-3/8 X12GX 3 FT 3IN	TUBR 237 109 136 00 DBE	13'-6"	TUBE W/2 HOLES 2-3/8 X12GX 11FT 6IN
TUBR 237 109 036 00 DBE	3'-6"	TUBE W/2 HOLES 2-3/8 X12GX 3 FT 6IN	TUBR 237 109 139 00 DBE	13'-9"	TUBE W/2 HOLES 2-3/8 X12GX 11FT 9IN
TUBR 237 109 039 00 DBE	3'-9"	TUBE W/2 HOLES 2-3/8 X12GX 3 FT 9IN	TUBR 237 109 140 00 DBE	14'-0"	TUBE W/2 HOLES 2-3/8 X12GX 12FT
TUBR 237 109 040 00 DBE	4'-0"	TUBE W/2 HOLES 2-3/8 X12GX 4 FT	TUBR 237 109 143 00 DBE	14'-3"	TUBE W/2 HOLES 2-3/8 X12GX 11FT 3IN
TUBR 237 109 043 00 DBE	4'-3"	TUBE W/2 HOLES 2-3/8 X12GX 4 FT 3IN	TUBR 237 109 146 00 DBE	14'-6"	TUBE W/2 HOLES 2-3/8 X12GX 11FT 6IN
TUBR 237 109 046 00 DBE	4'-6"	TUBE W/2 HOLES 2-3/8 X12GX 4 FT 6IN	TUBR 237 109 149 00 DBE	14'-9"	TUBE W/2 HOLES 2-3/8 X12GX 11FT 9IN
TUBR 237 109 049 00 DBE	4'-9"	TUBE W/2 HOLES 2-3/8 X12GX 4 FT 9IN	TUBR 237 109 150 00 DBE	15'-0"	TUBE W/2 HOLES 2-3/8 X12GX 12FT
TUBR 237 109 050 00 DBE	5'-0"	TUBE W/2 HOLES 2-3/8 X12GX 5 FT	TUBR 237 109 153 00 DBE	15'-3"	TUBE W/2 HOLES 2-3/8 X12GX 11FT 3IN
TUBR 237 109 053 00 DBE	5'-3"	TUBE W/2 HOLES 2-3/8 X12GX 5 FT 3IN	TUBR 237 109 156 00 DBE	15'-6"	TUBE W/2 HOLES 2-3/8 X12GX 11FT 6IN
TUBR 237 109 056 00 DBE	5'-6"	TUBE W/2 HOLES 2-3/8 X12GX 5 FT 6IN	TUBR 237 109 159 00 DBE	15'-9"	TUBE W/2 HOLES 2-3/8 X12GX 11FT 9IN
TUBR 237 109 059 00 DBE	5'-9"	TUBE W/2 HOLES 2-3/8 X12GX 5 FT 9IN	TUBR 237 109 160 00 DBE	16'-0"	TUBE W/2 HOLES 2-3/8 X12GX 12FT
TUBR 237 109 060 00 DBE	6'-0"	TUBE W/2 HOLES 2-3/8 X12GX 6 FT	TUBR 237 109 163 00 DBE	16'-3"	TUBE W/2 HOLES 2-3/8 X12GX 11FT 3IN
TUBR 237 109 063 00 DBE	6'-3"	TUBE W/2 HOLES 2-3/8 X12GX 6 FT 3IN	TUBR 237 109 166 00 DBE	16'-6"	TUBE W/2 HOLES 2-3/8 X12GX 11FT 6IN
TUBR 237 109 066 00 DBE	6'-6"	TUBE W/2 HOLES 2-3/8 X12GX 6 FT 6IN	TUBR 237 109 169 00 DBE	16'-9"	TUBE W/2 HOLES 2-3/8 X12GX 11FT 9IN
TUBR 237 109 069 00 DBE	6'-9"	TUBE W/2 HOLES 2-3/8 X12GX 6 FT 9IN	TUBR 237 109 170 00 DBE	17'-0"	TUBE W/2 HOLES 2-3/8 X12GX 12FT
TUBR 237 109 070 00 DBE	7'-0"	TUBE W/2 HOLES 2-3/8 X12GX 7 FT	TUBR 237 109 173 00 DBE	17'-3"	TUBE W/2 HOLES 2-3/8 X12GX 11FT 3IN
TUBR 237 109 073 00 DBE	7'-3"	TUBE W/2 HOLES 2-3/8 X12GX 7 FT 3IN	TUBR 237 109 176 00 DBE	17'-6"	TUBE W/2 HOLES 2-3/8 X12GX 11FT 6IN
TUBR 237 109 076 00 DBE	7'-6"	TUBE W/2 HOLES 2-3/8 X12GX 7 FT 6IN	TUBR 237 109 179 00 DBE	17'-9"	TUBE W/2 HOLES 2-3/8 X12GX 11FT 9IN
TUBR 237 109 079 00 DBE	7'-9"	TUBE W/2 HOLES 2-3/8 X12GX 7 FT 9IN	TUBR 237 109 180 00 DBE	18'-0"	TUBE W/2 HOLES 2-3/8 X12GX 12FT
TUBR 237 109 080 00 DBE	8'-0"	TUBE W/2 HOLES 2-3/8 X12GX 8 FT	TUBR 237 109 183 00 DBE	18'-3"	TUBE W/2 HOLES 2-3/8 X12GX 11FT 3IN
TUBR 237 109 083 00 DBE	8'-3"	TUBE W/2 HOLES 2-3/8 X12GX 8 FT 3IN	TUBR 237 109 186 00 DBE	18'-6"	TUBE W/2 HOLES 2-3/8 X12GX 11FT 6IN
TUBR 237 109 086 00 DBE	8'-6"	TUBE W/2 HOLES 2-3/8 X12GX 8 FT 6IN	TUBR 237 109 189 00 DBE	18'-9"	TUBE W/2 HOLES 2-3/8 X12GX 11FT 9IN
TUBR 237 109 089 00 DBE	8'-9"	TUBE W/2 HOLES 2-3/8 X12GX 8 FT 9IN	TUBR 237 109 190 00 DBE	19'-0"	TUBE W/2 HOLES 2-3/8 X12GX 12FT
TUBR 237 109 090 00 DBE	9'-0"	TUBE W/2 HOLES 2-3/8 X12GX 9 FT	TUBR 237 109 193 00 DBE	19'-3"	TUBE W/2 HOLES 2-3/8 X12GX 11FT 3IN
TUBR 237 109 093 00 DBE	9'-3"	TUBE W/2 HOLES 2-3/8 X12GX 9 FT 3IN	TUBR 237 109 196 00 DBE	19'-6"	TUBE W/2 HOLES 2-3/8 X12GX 11FT 6IN
TUBR 237 109 096 00 DBE	9'-6"	TUBE W/2 HOLES 2-3/8 X12GX 9 FT 6IN	TUBR 237 109 199 00 DBE	19'-9"	TUBE W/2 HOLES 2-3/8 X12GX 11FT 9IN
TUBR 237 109 099 00 DBE	9'-9"	TUBE W/2 HOLES 2-3/8 X12GX 9 FT 9IN	TUBR 237 109 200 00 DBE	20'-0"	TUBE W/2 HOLES 2-3/8 X12GX 12FT
TUBR 237 109 100 00 DBE	10'-0"	TUBE W/2 HOLES 2-3/8 X12GX 10FT	TUBR 237 109 203 00 DBE	20'-3"	TUBE W/2 HOLES 2-3/8 X12GX 11FT 3IN
TUBR 237 109 103 00 DBE	10'-3"	TUBE W/2 HOLES 2-3/8 X12GX 10FT 3IN	TUBR 237 109 206 00 DBE	20'-6"	TUBE W/2 HOLES 2-3/8 X12GX 11FT 6IN
TUBR 237 109 106 00 DBE	10'-6"	TUBE W/2 HOLES 2-3/8 X12GX 10FT 6IN	TUBR 237 109 209 00 DBE	20'-9"	TUBE W/2 HOLES 2-3/8 X12GX 11FT 9IN
TUBR 237 109 109 00 DBE	10'-9"	TUBE W/2 HOLES 2-3/8 X12GX 10FT 9IN	TUBR 237 109 210 00 DBE	21'-0"	TUBE W/2 HOLES 2-3/8 X12GX 12FT
TUBR 237 109 110 00 DBE	11'-0"	TUBE W/2 HOLES 2-3/8 X12GX 11 FT			

3 1/2" O.D. 11 GAUGE TUBE

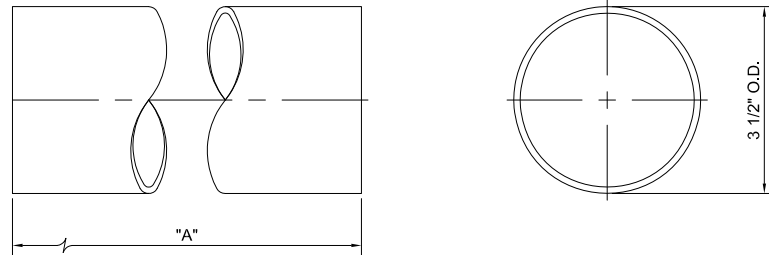
TUBR 00755 _ _ _



PART NUMBER	"A"	DESCRIPTION
TUBR 00755 009	9"	CUT TUBE 3-1/2" O.D. X11G X 9 IN LG.
TUBR 00755 010	1'-0"	CUT TUBE 3-1/2" O.D. X11G X 1 FT LG.
TUBR 00755 019	1'-9"	CUT TUBE 3-1/2" O.D. X11G X 1FT 9IN LG.
TUBR 00755 020	2'-0"	CUT TUBE 3-1/2" O.D. X11G X 2 FT LG.
TUBR 00755 030	3'-0"	CUT TUBE 3-1/2" O.D. X11G X 3 FT LG.
TUBR 00755 036	3'-6"	CUT TUBE 3-1/2" O.D. X11G X 3FT 6IN LG.
TUBR 00755 040	4'-0"	CUT TUBE 3-1/2" O.D. X11G X 4 FT LG.
TUBR 00755 050	5'-0"	CUT TUBE 3-1/2" O.D. X11G X 5 FT LG.
TUBR 00755 060	6'-0"	CUT TUBE 3-1/2" O.D. X11G X 6 FT LG.
TUBR 00755 070	7'-0"	CUT TUBE 3-1/2" O.D. X11G X 7 FT LG.
TUBR 00755 080	8'-0"	CUT TUBE 3-1/2" O.D. X11G X 8 FT LG.
TUBR 00755 090	9'-0"	CUT TUBE 3-1/2" O.D. X11G X 9 FT LG.
TUBR 00755 100	10'-0"	CUT TUBE 3-1/2" O.D. X11G X 10 FT LG.
TUBR 00755 106	10'-6"	CUT TUBE 3-1/2" O.D. X11G X 10FT 6IN LG.
TUBR 00755 110	11'-0"	CUT TUBE 3-1/2" O.D. X11G X 11 FT LG.
TUBR 00755 120	12'-0"	CUT TUBE 3-1/2" O.D. X11G X 12 FT LG.
TUBR 00755 130	13'-0"	CUT TUBE 3-1/2" O.D. X11G X 13 FT LG.
TUBR 00755 140	14'-0"	CUT TUBE 3-1/2" O.D. X11G X 14 FT LG.
TUBR 00755 150	15'-0"	CUT TUBE 3-1/2" O.D. X11G X 15 FT LG.
TUBR 00755 160	16'-0"	CUT TUBE 3-1/2" O.D. X11G X 16 FT LG.
TUBR 00755 170	17'-0"	CUT TUBE 3-1/2" O.D. X11G X 17 FT LG.
TUBR 00755 180	18'-0"	CUT TUBE 3-1/2" O.D. X11G X 18 FT LG.
TUBR 00755 190	19'-0"	CUT TUBE 3-1/2" O.D. X11G X 19 FT LG.
TUBR 00755 200	20'-0"	CUT TUBE 3-1/2" O.D. X11G X 20 FT LG.
TUBR 00755 210	21'-0"	CUT TUBE 3-1/2" O.D. X11G X 21 FT LG.

3 1/2" O.D. SCHEDULE 40 PIPE

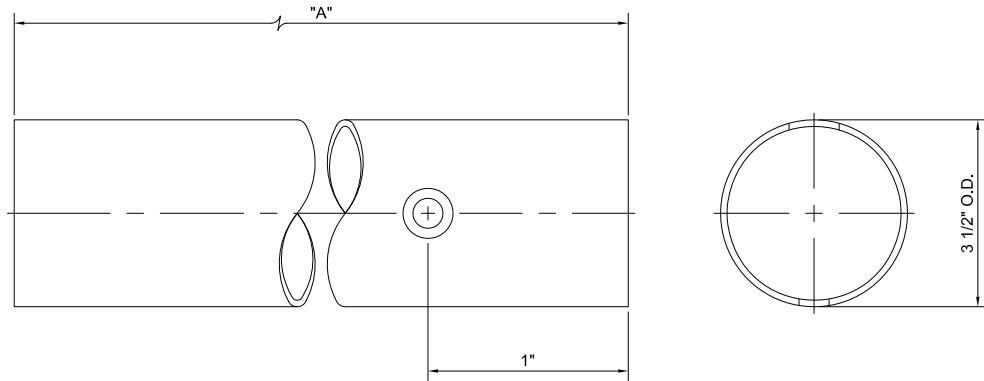
TUBR 00763 ___ 2



PART NUMBER	"A"	DESCRIPTION
TUBR 00763 009 2	9"	CUT TUBE 3-1/2" O.D. XSCH40 X 9 IN LG.
TUBR 00763 010 2	1'-0"	CUT TUBE 3-1/2" O.D. XSCH40 X 1 FT LG.
TUBR 00763 019 2	1'-9"	CUT TUBE 3-1/2" O.D. XSCH40 X 1 FT 9IN LG.
TUBR 00763 020 2	2'-0"	CUT TUBE 3-1/2" O.D. XSCH40 X 2 FT LG.
TUBR 00763 030 2	3'-0"	CUT TUBE 3-1/2" O.D. XSCH40 X 3 FT LG.
TUBR 00763 036 2	3'-6"	CUT TUBE 3-1/2" O.D. XSCH40 X 3FT 6IN LG.
TUBR 00763 040 2	4'-0"	CUT TUBE 3-1/2" O.D. XSCH40 X 4 FT LG.
TUBR 00763 050 2	5'-0"	CUT TUBE 3-1/2" O.D. XSCH40 X 5 FT LG.
TUBR 00763 060 2	6'-0"	CUT TUBE 3-1/2" O.D. XSCH40 X 6 FT LG.
TUBR 00763 070 2	7'-0"	CUT TUBE 3-1/2" O.D. XSCH40 X 7 FT LG.
TUBR 00763 080 2	8'-0"	CUT TUBE 3-1/2" O.D. XSCH40 X 8 FT LG.
TUBR 00763 090 2	9'-0"	CUT TUBE 3-1/2" O.D. XSCH40 X 9 FT LG.
TUBR 00763 100 2	10'-0"	CUT TUBE 3-1/2" O.D. XSCH40 X 10 FT LG.
TUBR 00763 106 2	10'-6"	CUT TUBE 3-1/2" O.D. XSCH40 X 10FT 6IN LG.
TUBR 00763 110 2	11'-0"	CUT TUBE 3-1/2" O.D. XSCH40 X 11 FT LG.
TUBR 00763 120 2	12'-0"	CUT TUBE 3-1/2" O.D. XSCH40 X 12 FT LG.
TUBR 00763 130 2	13'-0"	CUT TUBE 3-1/2" O.D. XSCH40 X 13 FT LG.
TUBR 00763 140 2	14'-0"	CUT TUBE 3-1/2" O.D. XSCH40 X 14 FT LG.
TUBR 00763 150 2	15'-0"	CUT TUBE 3-1/2" O.D. XSCH40 X 15 FT LG.
TUBR 00763 160 2	16'-0"	CUT TUBE 3-1/2" O.D. XSCH40 X 16 FT LG.
TUBR 00763 170 2	17'-0"	CUT TUBE 3-1/2" O.D. XSCH40 X 17 FT LG.
TUBR 00763 180 2	18'-0"	CUT TUBE 3-1/2" O.D. XSCH40 X 18 FT LG.
TUBR 00763 190 2	19'-0"	CUT TUBE 3-1/2" O.D. XSCH40 X 19 FT LG.
TUBR 00763 200 2	20'-0"	CUT TUBE 3-1/2" O.D. XSCH40 X 20 FT LG.
TUBR 00763 210 2	21'-0"	CUT TUBE 3-1/2" O.D. XSCH40 X 21 FT LG.

3 1/2" O.D. 11 GAUGE PIPE WITH HOLE ON ONE END

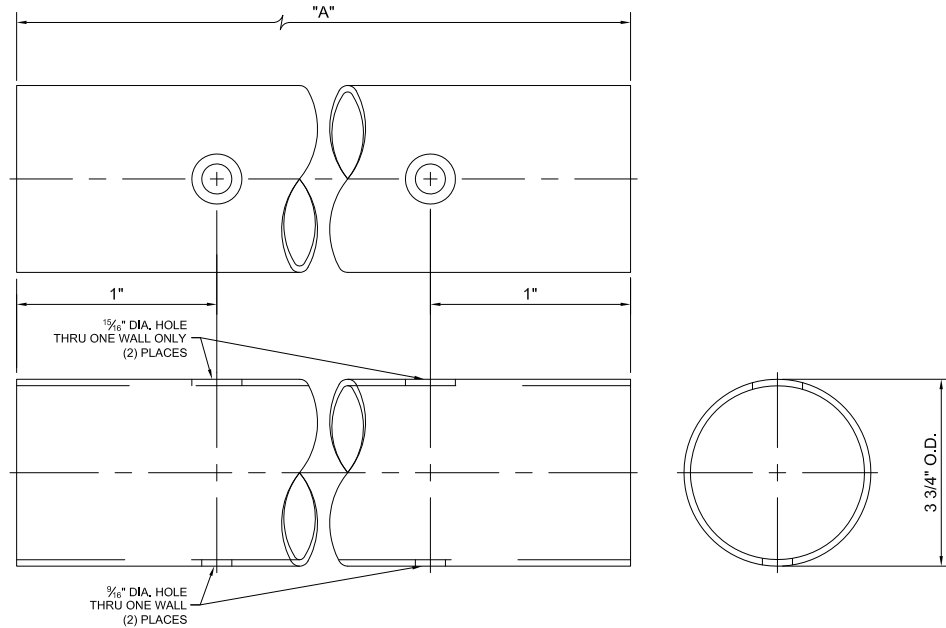
TUBR 350 120 __ __ 00 01 0



PART NUMBER	"A"	DESCRIPTION
TUBR 350 120 020 00 01 0	2'-0"	TUBE W/ HOLE 3-1/2 X11GX 2 FT
TUBR 350 120 030 00 01 0	3'-0"	TUBE W/ HOLE 3-1/2 X11GX 3 FT
TUBR 350 120 040 00 01 0	4'-0"	TUBE W/ HOLE 3-1/2 X11GX 4 FT
TUBR 350 120 050 00 01 0	5'-0"	TUBE W/ HOLE 3-1/2 X11GX 5 FT
TUBR 350 120 060 00 01 0	6'-0"	TUBE W/ HOLE 3-1/2 X11GX 6 FT
TUBR 350 120 070 00 01 0	7'-0"	TUBE W/ HOLE 3-1/2 X11GX 7 FT
TUBR 350 120 080 00 01 0	8'-0"	TUBE W/ HOLE 3-1/2 X11GX 8 FT
TUBR 350 120 090 00 01 0	9'-0"	TUBE W/ HOLE 3-1/2 X11GX 9 FT
TUBR 350 120 100 00 01 0	10'-0"	TUBE W/ HOLE 3-1/2 X11GX 10FT
TUBR 350 120 106 00 01 0	10'-6"	TUBE W/ HOLE 3-1/2 X11GX 10 FT 6 IN
TUBR 350 120 110 00 01 0	11'-0"	TUBE W/ HOLE 3-1/2 X11GX 11FT
TUBR 350 120 120 00 01 0	12'-0"	TUBE W/ HOLE 3-1/2 X11GX 12FT
TUBR 350 120 130 00 01 0	13'-0"	TUBE W/ HOLE 3-1/2 X11GX 13FT
TUBR 350 120 140 00 01 0	14'-0"	TUBE W/ HOLE 3-1/2 X11GX 14FT
TUBR 350 120 150 00 01 0	15'-0"	TUBE W/ HOLE 3-1/2 X11GX 15FT
TUBR 350 120 160 00 01 0	16'-0"	TUBE W/ HOLE 3-1/2 X11GX 16FT
TUBR 350 120 170 00 01 0	17'-0"	TUBE W/ HOLE 3-1/2 X11GX 17FT
TUBR 350 120 180 00 01 0	18'-0"	TUBE W/ HOLE 3-1/2 X11GX 18FT
TUBR 350 120 190 00 01 0	19'-0"	TUBE W/ HOLE 3-1/2 X11GX 19FT
TUBR 350 120 200 00 01 0	20'-0"	TUBE W/ HOLE 3-1/2 X11GX 20FT
TUBR 350 120 210 00 01 0	21'-0"	TUBE W/ HOLE 3-1/2 X11GX 21FT

3 1/2" O.D. 11 GAUGE PIPE WITH HOLES BOTH ENDS

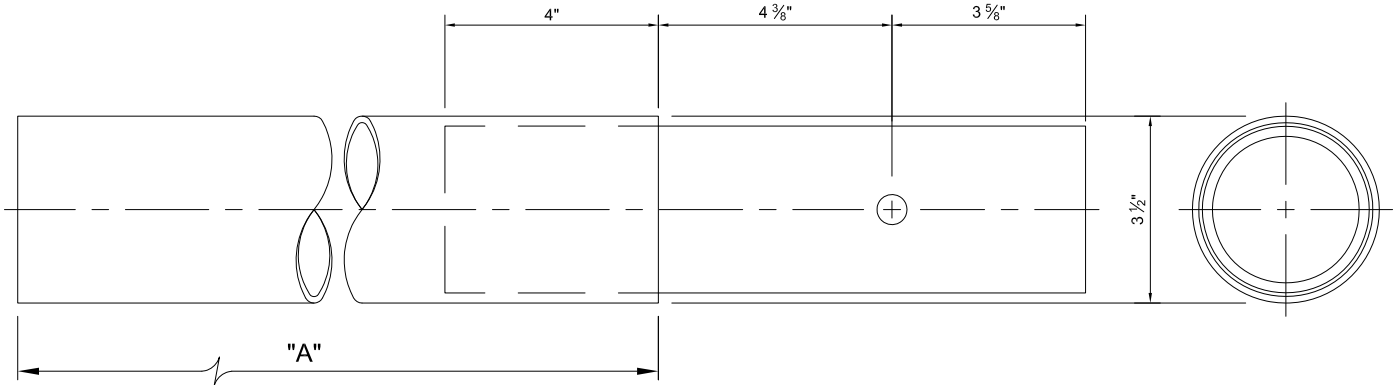
TUBR 350 120 ___ 00 02 0



PART NUMBER	"A"	DESCRIPTION
TUBR 350 120 020 00 02 0	2'-0"	TUBE W/ TWO HOLES 3-1/2 X11GX 2 FT
TUBR 350 120 030 00 02 0	3'-0"	TUBE W/ TWO HOLES 3-1/2 X11GX 3 FT
TUBR 350 120 040 00 02 0	4'-0"	TUBE W/ TWO HOLES 3-1/2 X11GX 4 FT
TUBR 350 120 050 00 02 0	5'-0"	TUBE W/ TWO HOLES 3-1/2 X11GX 5 FT
TUBR 350 120 060 00 02 0	6'-0"	TUBE W/ TWO HOLES 3-1/2 X11GX 6 FT
TUBR 350 120 070 00 02 0	7'-0"	TUBE W/ TWO HOLES 3-1/2 X11GX 7 FT
TUBR 350 120 080 00 02 0	8'-0"	TUBE W/ TWO HOLES 3-1/2 X11GX 8 FT
TUBR 350 120 090 00 02 0	9'-0"	TUBE W/ TWO HOLES 3-1/2 X11GX 9 FT
TUBR 350 120 100 00 02 0	10'-0"	TUBE W/ TWO HOLES 3-1/2 X11GX 10FT
TUBR 350 120 106 00 02 0	10'-6"	TUBE W/ TWO HOLES 3-1/2 X11GX 10 FT 6 IN
TUBR 350 120 110 00 02 0	11'-0"	TUBE W/ TWO HOLES 3-1/2 X11GX 11FT
TUBR 350 120 120 00 02 0	12'-0"	TUBE W/ TWO HOLES 3-1/2 X11GX 12FT
TUBR 350 120 130 00 02 0	13'-0"	TUBE W/ TWO HOLES 3-1/2 X11GX 13FT
TUBR 350 120 140 00 02 0	14'-0"	TUBE W/ TWO HOLES 3-1/2 X11GX 14FT
TUBR 350 120 150 00 02 0	15'-0"	TUBE W/ TWO HOLES 3-1/2 X11GX 15FT
TUBR 350 120 160 00 02 0	16'-0"	TUBE W/ TWO HOLES 3-1/2 X11GX 16FT
TUBR 350 120 170 00 02 0	17'-0"	TUBE W/ TWO HOLES 3-1/2 X11GX 17FT
TUBR 350 120 180 00 02 0	18'-0"	TUBE W/ TWO HOLES 3-1/2 X11GX 18FT
TUBR 350 120 190 00 02 0	19'-0"	TUBE W/ TWO HOLES 3-1/2 X11GX 19FT
TUBR 350 120 200 00 02 0	20'-0"	TUBE W/ TWO HOLES 3-1/2 X11GX 20FT
TUBR 350 120 210 00 02 0	21'-0"	TUBE W/ TWO HOLES 3-1/2 X11GX 21FT

3 1/2" O.D. 11 GAUGE PIPE WITH SLEEVE

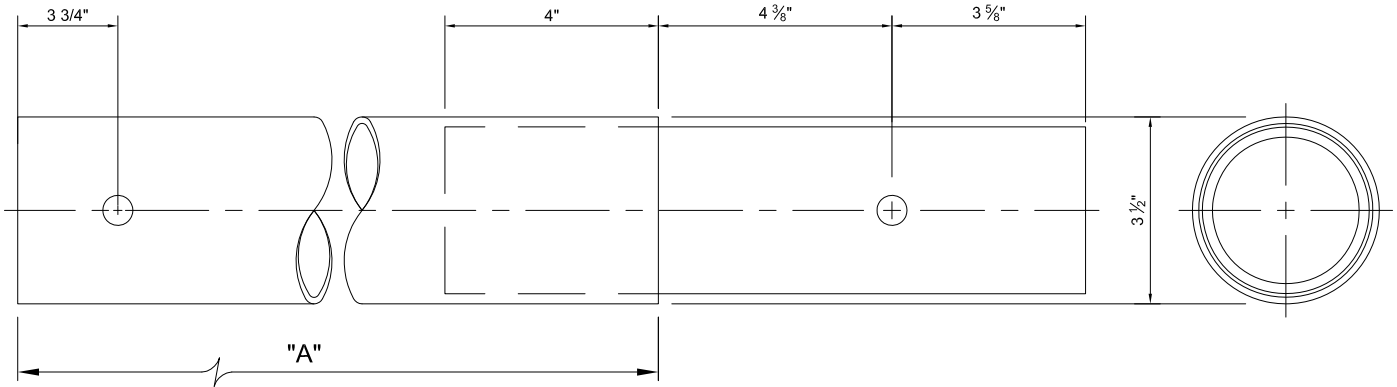
TUBR 350 120 ___ 00 001



PART NUMBER	"A"	DESCRIPTION
TUBR 350 120 010 00 00 1	1'-0"	SLEEVED TUBE 3-1/2 X11GX 1 FT
TUBR 350 120 020 00 00 1	2'-0"	SLEEVED TUBE 3-1/2 X11GX 2 FT
TUBR 350 120 030 00 00 1	3'-0"	SLEEVED TUBE 3-1/2 X11GX 3 FT
TUBR 350 120 040 00 00 1	4'-0"	SLEEVED TUBE 3-1/2 X11GX 4 FT
TUBR 350 120 050 00 00 1	5'-0"	SLEEVED TUBE 3-1/2 X11GX 5 FT
TUBR 350 120 056 00 00 1	5'-6"	SLEEVED TUBE 3-1/2 X11GX 5 FT 6IN
TUBR 350 120 060 00 00 1	6'-0"	SLEEVED TUBE 3-1/2 X11GX 6 FT
TUBR 350 120 070 00 00 1	7'-0"	SLEEVED TUBE 3-1/2 X11GX 7 FT
TUBR 350 120 080 00 00 1	8'-0"	SLEEVED TUBE 3-1/2 X11GX 8 FT
TUBR 350 120 090 00 00 1	9'-0"	SLEEVED TUBE 3-1/2 X11GX 9 FT
TUBR 350 120 100 00 00 1	10'-0"	SLEEVED TUBE 3-1/2 X11GX 10 FT
TUBR 350 120 106 00 00 1	10'-6"	SLEEVED TUBE 3-1/2 X11GX 10 FT 6IN
TUBR 350 120 110 00 00 1	11'-0"	SLEEVED TUBE 3-1/2 X11GX 11 FT
TUBR 350 120 120 00 00 1	12'-0"	SLEEVED TUBE 3-1/2 X11GX 12 FT
TUBR 350 120 130 00 00 1	13'-0"	SLEEVED TUBE 3-1/2 X11GX 13 FT
TUBR 350 120 140 00 00 1	14'-0"	SLEEVED TUBE 3-1/2 X11GX 14 FT
TUBR 350 120 150 00 00 1	15'-0"	SLEEVED TUBE 3-1/2 X11GX 15 FT
TUBR 350 120 160 00 00 1	16'-0"	SLEEVED TUBE 3-1/2 X11GX 16 FT
TUBR 350 120 170 00 00 1	17'-0"	SLEEVED TUBE 3-1/2 X11GX 17 FT
TUBR 350 120 180 00 00 1	18'-0"	SLEEVED TUBE 3-1/2 X11GX 18 FT
TUBR 350 120 190 00 00 1	19'-0"	SLEEVED TUBE 3-1/2 X11GX 19 FT
TUBR 350 120 200 00 00 1	20'-0"	SLEEVED TUBE 3-1/2 X11GX 20 FT
TUBR 350 120 210 00 00 1	21'-0"	SLEEVED TUBE 3-1/2 X11GX 21 FT

3 1/2" O.D. 11 GAUGE PIPE WITH SLEEVE AND HOLE

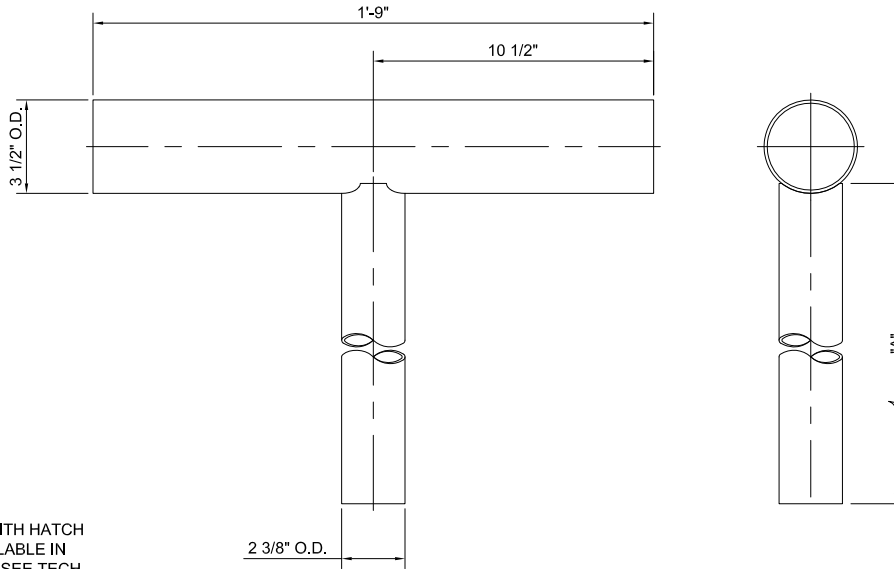
TUBR 350 120 __ __ 00 011



PART NUMBER	"A"	DESCRIPTION
TUBR 350 120 020 00 01 1	2'-0"	SLEEVED TUBE W/HOLE 3-1/2 X11GX 2 FT
TUBR 350 120 030 00 01 1	3'-0"	SLEEVED TUBE W/HOLE 3-1/2 X11GX 3 FT
TUBR 350 120 040 00 01 1	4'-0"	SLEEVED TUBE W/HOLE 3-1/2 X11GX 4 FT
TUBR 350 120 050 00 01 1	5'-0"	SLEEVED TUBE W/HOLE 3-1/2 X11GX 5 FT
TUBR 350 120 060 00 01 1	6'-0"	SLEEVED TUBE W/HOLE 3-1/2 X11GX 6 FT
TUBR 350 120 070 00 01 1	7'-0"	SLEEVED TUBE W/HOLE 3-1/2 X11GX 7 FT
TUBR 350 120 080 00 01 1	8'-0"	SLEEVED TUBE W/HOLE 3-1/2 X11GX 8 FT
TUBR 350 120 090 00 01 1	9'-0"	SLEEVED TUBE W/HOLE 3-1/2 X11GX 9 FT
TUBR 350 120 100 00 01 1	10'-0"	SLEEVED TUBE W/HOLE 3-1/2 X11GX 10FT
TUBR 350 120 106 00 01 1	10'-6"	SLEEVED TUBE W/HOLE 3-1/2 X11GX 10FT 6 IN
TUBR 350 120 110 00 01 1	11'-0"	SLEEVED TUBE W/HOLE 3-1/2 X11GX 11FT
TUBR 350 120 120 00 01 1	12'-0"	SLEEVED TUBE W/HOLE 3-1/2 X11GX 12FT
TUBR 350 120 130 00 01 1	13'-0"	SLEEVED TUBE W/HOLE 3-1/2 X11GX 13FT
TUBR 350 120 140 00 01 1	14'-0"	SLEEVED TUBE W/HOLE 3-1/2 X11GX 14FT
TUBR 350 120 150 00 01 1	15'-0"	SLEEVED TUBE W/HOLE 3-1/2 X11GX 15FT
TUBR 350 120 160 00 01 1	16'-0"	SLEEVED TUBE W/HOLE 3-1/2 X11GX 16FT
TUBR 350 120 170 00 01 1	17'-0"	SLEEVED TUBE W/HOLE 3-1/2 X11GX 17FT
TUBR 350 120 180 00 01 1	18'-0"	SLEEVED TUBE W/HOLE 3-1/2 X11GX 18FT
TUBR 350 120 190 00 01 1	19'-0"	SLEEVED TUBE W/HOLE 3-1/2 X11GX 19FT
TUBR 350 120 200 00 01 1	20'-0"	SLEEVED TUBE W/HOLE 3-1/2 X11GX 20FT
TUBR 350 120 210 00 01 1	21'-0"	SLEEVED TUBE W/HOLE 3-1/2 X11GX 21FT

DROP TUBE WELDMENT (1'-9" HANDLE)

DRPT 17512 _ _ _

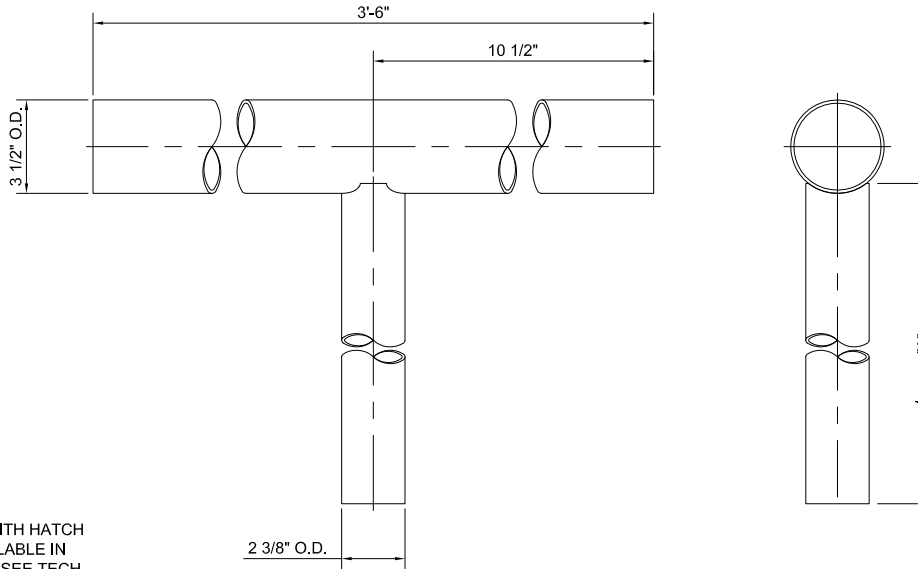


PART LENGTHS WITH HATCH MAY NOT BE AVAILABLE IN QUOTER, PLEASE SEE TECH REP WITH ANY QUESTIONS.

PART NUMBER	"A"	DESCRIPTION
DRPT 17512 010	1'-0"	DROP TUBE WELD 1FT 9IN X 1FT LG
DRPT 17512 020	2'-0"	DROP TUBE WELD 1FT 9IN X 2FT LG
DRPT 17512 030	3'-0"	DROP TUBE WELD 1FT 9IN X 3FT LG
DRPT 17512 040	4'-0"	DROP TUBE WELD 1FT 9IN X 4FT LG
DRPT 17512 050	5'-0"	DROP TUBE WELD 1FT 9IN X 5FT LG
DRPT 17512 060	6'-0"	DROP TUBE WELD 1FT 9IN X 6FT LG
DRPT 17512 070	7'-0"	DROP TUBE WELD 1FT 9IN X 7FT LG
DRPT 17512 080	8'-0"	DROP TUBE WELD 1FT 9IN X 8FT LG
DRPT 17512 090	9'-0"	DROP TUBE WELD 1FT 9IN X 9FT LG
DRPT 17512 100	10'-0"	DROP TUBE WELD 1FT 9IN X 10FT LG
DRPT 17512 106	10'-6"	DROP TUBE WELD 1FT 9IN X 10FT 6IN LG
DRPT 17512 110	11'-0"	DROP TUBE WELD 1FT 9IN X 11FT LG
DRPT 17512 120	12'-0"	DROP TUBE WELD 1FT 9IN X 12FT LG
DRPT 17512 130	13'-0"	DROP TUBE WELD 1FT 9IN X 13FT LG
DRPT 17512 140	14'-0"	DROP TUBE WELD 1FT 9IN X 14FT LG
DRPT 17512 150	15'-0"	DROP TUBE WELD 1FT 9IN X 15FT LG
DRPT 17512 160	16'-0"	DROP TUBE WELD 1FT 9IN X 16FT LG
DRPT 17512 170	17'-0"	DROP TUBE WELD 1FT 9IN X 17FT LG
DRPT 17512 180	18'-0"	DROP TUBE WELD 1FT 9IN X 18FT LG
DRPT 17512 190	19'-0"	DROP TUBE WELD 1FT 9IN X 19FT LG
DRPT 17512 200	20'-0"	DROP TUBE WELD 1FT 9IN X 20FT LG
DRPT 17512 210	21'-0"	DROP TUBE WELD 1FT 9IN X 21FT LG

DROP TUBE WELDMENT (3'-6" HANDLE)

DRPT 35012 _ _ _

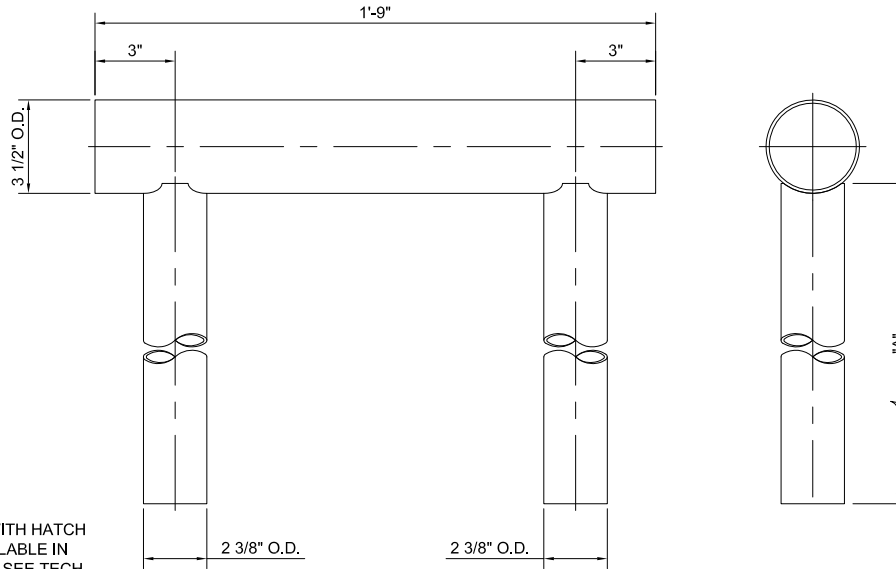



PART LENGTHS WITH HATCH MAY NOT BE AVAILABLE IN QUOTER, PLEASE SEE TECH REP WITH ANY QUESTIONS.

PART NUMBER	"A"	DESCRIPTION
DRPT 35012 010	1'-0"	DROP TUBE WELD 1FT 9IN X 1FT LG
DRPT 35012 020	2'-0"	DROP TUBE WELD 1FT 9IN X 2FT LG
DRPT 35012 030	3'-0"	DROP TUBE WELD 1FT 9IN X 3FT LG
DRPT 35012 040	4'-0"	DROP TUBE WELD 1FT 9IN X 4FT LG
DRPT 35012 050	5'-0"	DROP TUBE WELD 1FT 9IN X 5FT LG
DRPT 35012 060	6'-0"	DROP TUBE WELD 1FT 9IN X 6FT LG
DRPT 35012 070	7'-0"	DROP TUBE WELD 1FT 9IN X 7FT LG
DRPT 35012 080	8'-0"	DROP TUBE WELD 1FT 9IN X 8FT LG
DRPT 35012 090	9'-0"	DROP TUBE WELD 1FT 9IN X 9FT LG
DRPT 35012 100	10'-0"	DROP TUBE WELD 1FT 9IN X 10FT LG
DRPT 35012 106	10'-6"	DROP TUBE WELD 1FT 9IN X 10FT 6IN LG
DRPT 35012 110	11'-0"	DROP TUBE WELD 1FT 9IN X 11FT LG
DRPT 35012 120	12'-0"	DROP TUBE WELD 1FT 9IN X 12FT LG
DRPT 35012 130	13'-0"	DROP TUBE WELD 1FT 9IN X 13FT LG
DRPT 35012 140	14'-0"	DROP TUBE WELD 1FT 9IN X 14FT LG
DRPT 35012 150	15'-0"	DROP TUBE WELD 1FT 9IN X 15FT LG
DRPT 35012 160	16'-0"	DROP TUBE WELD 1FT 9IN X 16FT LG
DRPT 35012 170	17'-0"	DROP TUBE WELD 1FT 9IN X 17FT LG
DRPT 35012 180	18'-0"	DROP TUBE WELD 1FT 9IN X 18FT LG
DRPT 35012 190	19'-0"	DROP TUBE WELD 1FT 9IN X 19FT LG
DRPT 35012 200	20'-0"	DROP TUBE WELD 1FT 9IN X 20FT LG
DRPT 35012 210	21'-0"	DROP TUBE WELD 1FT 9IN X 21FT LG

DOUBLE DROP TUBE WELDMENT (1'-9" HANDLE)

DRPT 17522 _ _ _

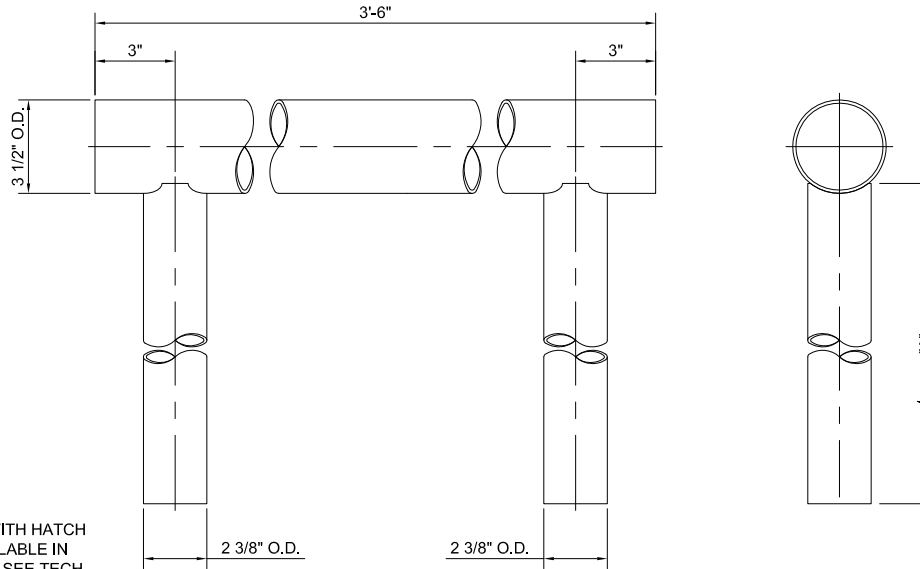



 PART LENGTHS WITH HATCH MAY NOT BE AVAILABLE IN QUOTER, PLEASE SEE TECH REP WITH ANY QUESTIONS.

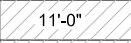
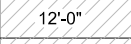
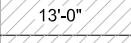
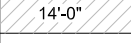
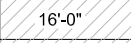
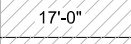
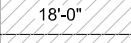
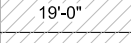
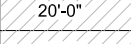
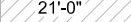
PART NUMBER	"A"	DESCRIPTION
DRPT 17522 010	1'-0"	DROP TUBE WELD 1FT 9IN X 1FT LG
DRPT 17522 020	2'-0"	DROP TUBE WELD 1FT 9IN X 2FT LG
DRPT 17522 030	3'-0"	DROP TUBE WELD 1FT 9IN X 3FT LG
DRPT 17522 040	4'-0"	DROP TUBE WELD 1FT 9IN X 4FT LG
DRPT 17522 050	5'-0"	DROP TUBE WELD 1FT 9IN X 5FT LG
DRPT 17522 060	6'-0"	DROP TUBE WELD 1FT 9IN X 6FT LG
DRPT 17522 070	7'-0"	DROP TUBE WELD 1FT 9IN X 7FT LG
DRPT 17522 080	8'-0"	DROP TUBE WELD 1FT 9IN X 8FT LG
DRPT 17522 090	9'-0"	DROP TUBE WELD 1FT 9IN X 9FT LG
DRPT 17522 100	10'-0"	DROP TUBE WELD 1FT 9IN X 10FT LG
DRPT 17522 106	10'-6"	DROP TUBE WELD 1FT 9IN X 10FT 6IN LG
DRPT 17522 110	11'-0"	DROP TUBE WELD 1FT 9IN X 11FT LG
DRPT 17522 120	12'-0"	DROP TUBE WELD 1FT 9IN X 12FT LG
DRPT 17522 130	13'-0"	DROP TUBE WELD 1FT 9IN X 13FT LG
DRPT 17522 140	14'-0"	DROP TUBE WELD 1FT 9IN X 14FT LG
DRPT 17522 150	15'-0"	DROP TUBE WELD 1FT 9IN X 15FT LG
DRPT 17522 160	16'-0"	DROP TUBE WELD 1FT 9IN X 16FT LG
DRPT 17522 170	17'-0"	DROP TUBE WELD 1FT 9IN X 17FT LG
DRPT 17522 180	18'-0"	DROP TUBE WELD 1FT 9IN X 18FT LG
DRPT 17522 190	19'-0"	DROP TUBE WELD 1FT 9IN X 19FT LG
DRPT 17522 200	20'-0"	DROP TUBE WELD 1FT 9IN X 20FT LG
DRPT 17522 210	21'-0"	DROP TUBE WELD 1FT 9IN X 21FT LG

DOUBLE DROP TUBE WELDMENT (3'-6" HANDLE)

DRPT 35022 _ _ _

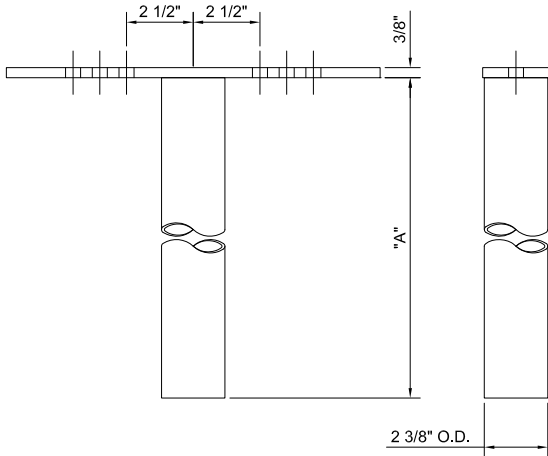
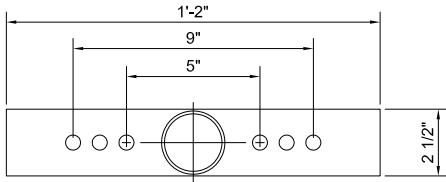


 PART LENGTHS WITH HATCH MAY NOT BE AVAILABLE IN QUOTER, PLEASE SEE TECH REP WITH ANY QUESTIONS.

PART NUMBER	"A"	DESCRIPTION
DRPT 35022 010	1'-0"	DROP TUBE WELD 1FT 9IN X 1FT LG
DRPT 35022 020	2'-0"	DROP TUBE WELD 1FT 9IN X 2FT LG
DRPT 35022 030	3'-0"	DROP TUBE WELD 1FT 9IN X 3FT LG
DRPT 35022 040	4'-0"	DROP TUBE WELD 1FT 9IN X 4FT LG
DRPT 35022 050	5'-0"	DROP TUBE WELD 1FT 9IN X 5FT LG
DRPT 35022 060	6'-0"	DROP TUBE WELD 1FT 9IN X 6FT LG
DRPT 35022 070	7'-0"	DROP TUBE WELD 1FT 9IN X 7FT LG
DRPT 35022 080	8'-0"	DROP TUBE WELD 1FT 9IN X 8FT LG
DRPT 35022 090	9'-0"	DROP TUBE WELD 1FT 9IN X 9FT LG
DRPT 35022 100	10'-0"	DROP TUBE WELD 1FT 9IN X 10FT LG
DRPT 35022 106	10'-6"	DROP TUBE WELD 1FT 9IN X 10FT 6IN LG
DRPT 35022 110	 11'-0"	DROP TUBE WELD 1FT 9IN X 11FT LG
DRPT 35022 120	 12'-0"	DROP TUBE WELD 1FT 9IN X 12FT LG
DRPT 35022 130	 13'-0"	DROP TUBE WELD 1FT 9IN X 13FT LG
DRPT 35022 140	 14'-0"	DROP TUBE WELD 1FT 9IN X 14FT LG
DRPT 35022 150	15'-0"	DROP TUBE WELD 1FT 9IN X 15FT LG
DRPT 35022 160	 16'-0"	DROP TUBE WELD 1FT 9IN X 16FT LG
DRPT 35022 170	 17'-0"	DROP TUBE WELD 1FT 9IN X 17FT LG
DRPT 35022 180	 18'-0"	DROP TUBE WELD 1FT 9IN X 18FT LG
DRPT 35022 190	 19'-0"	DROP TUBE WELD 1FT 9IN X 19FT LG
DRPT 35022 200	 20'-0"	DROP TUBE WELD 1FT 9IN X 20FT LG
DRPT 35022 210	 21'-0"	DROP TUBE WELD 1FT 9IN X 21FT LG

DROP TUBE WELDMENT

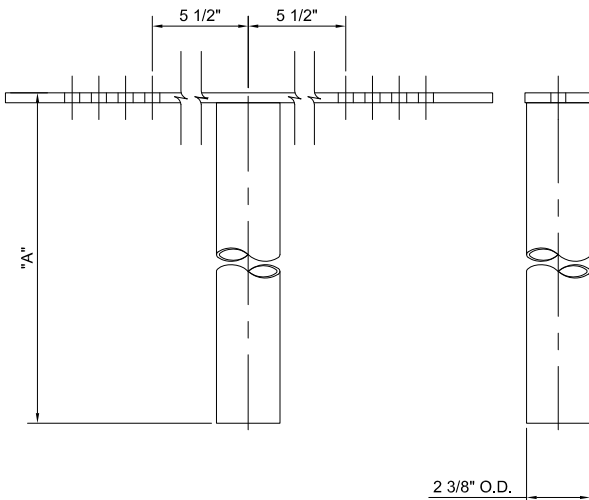
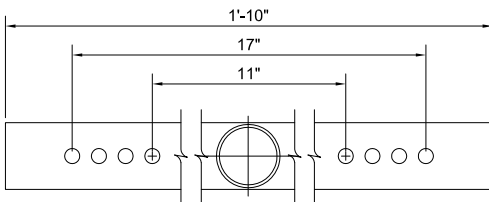
DRPP T0912 _ _ _



**DROP TUBE / PLATE WELDMENT
5" TO 9" HOLE CENTERS**

PART NUMBER	"A"	DESCRIPTION
DRPP T0912 010	1'-0"	DROP TUBE/PLATE WELD 1FT 9IN X 1FT LG
DRPP T0912 020	2'-0"	DROP TUBE/PLATE WELD 1FT 9IN X 2FT LG
DRPP T0912 030	3'-0"	DROP TUBE/PLATE WELD 1FT 9IN X 3FT LG
DRPP T0912 040	4'-0"	DROP TUBE/PLATE WELD 1FT 9IN X 4FT LG
DRPP T0912 050	5'-0"	DROP TUBE/PLATE WELD 1FT 9IN X 5FT LG
DRPP T0912 060	6'-0"	DROP TUBE/PLATE WELD 1FT 9IN X 6FT LG
DRPP T0912 070	7'-0"	DROP TUBE/PLATE WELD 1FT 9IN X 7FT LG
DRPP T0912 080	8'-0"	DROP TUBE/PLATE WELD 1FT 9IN X 8FT LG
DRPP T0912 090	9'-0"	DROP TUBE/PLATE WELD 1FT 9IN X 9FT LG
DRPP T0912 100	10'-0"	DROP TUBE/PLATE WELD 1FT 9IN X 10FT LG
DRPP T0912 106	10'-6"	DROP TUBE/PLATE WELD 1FT 9IN X 10FT 6IN LG

DRPP T1712 _ _ _

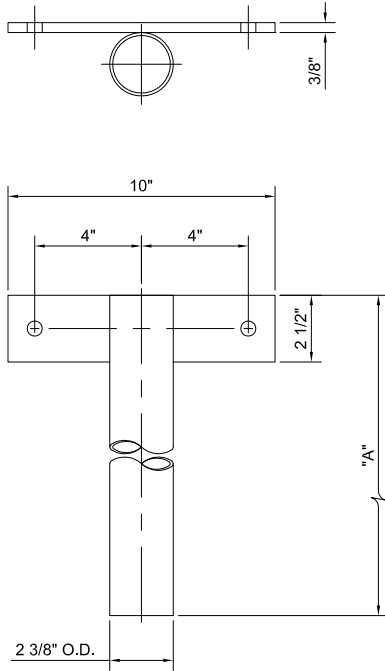


**DROP TUBE / PLATE WELDMENT
11" TO 17" HOLE CENTERS**

PART NUMBER	"A"	DESCRIPTION
DRPP T1712 010	1'-0"	DROP TUBE/PLATE WELD 1FT 9IN X 1FT LG
DRPP T1712 020	2'-0"	DROP TUBE/PLATE WELD 1FT 9IN X 2FT LG
DRPP T1712 030	3'-0"	DROP TUBE/PLATE WELD 1FT 9IN X 3FT LG
DRPP T1712 040	4'-0"	DROP TUBE/PLATE WELD 1FT 9IN X 4FT LG
DRPP T1712 050	5'-0"	DROP TUBE/PLATE WELD 1FT 9IN X 5FT LG
DRPP T1712 060	6'-0"	DROP TUBE/PLATE WELD 1FT 9IN X 6FT LG
DRPP T1712 070	7'-0"	DROP TUBE/PLATE WELD 1FT 9IN X 7FT LG
DRPP T1712 080	8'-0"	DROP TUBE/PLATE WELD 1FT 9IN X 8FT LG
DRPP T1712 090	9'-0"	DROP TUBE/PLATE WELD 1FT 9IN X 9FT LG
DRPP T1712 100	10'-0"	DROP TUBE/PLATE WELD 1FT 9IN X 10FT LG
DRPP T1712 106	10'-6"	DROP TUBE/PLATE WELD 1FT 9IN X 10FT 6IN LG

DROP TUBE WELDMENT

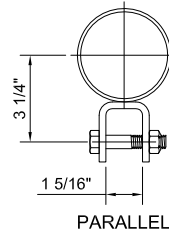
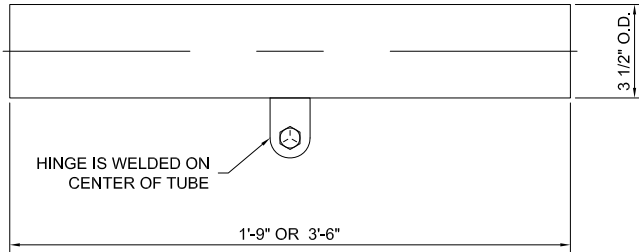
DRPP S0012 _ _ _



DROP TUBE / PLATE WELDMENT
SIDE DROP

PART NUMBER	"A"	DESCRIPTION
DRPP S0012 010	1'-0"	DROP TUBE SIDE/WELD 1FT 9IN X 1FT LG
DRPP S0012 020	2'-0"	DROP TUBE SIDE/WELD 1FT 9IN X 2FT LG
DRPP S0012 030	3'-0"	DROP TUBE SIDE/WELD 1FT 9IN X 3FT LG
DRPP S0012 040	4'-0"	DROP TUBE SIDE/WELD 1FT 9IN X 4FT LG
DRPP S0012 050	5'-0"	DROP TUBE SIDE/WELD 1FT 9IN X 5FT LG
DRPP S0012 060	6'-0"	DROP TUBE SIDE/WELD 1FT 9IN X 6FT LG
DRPP S0012 070	7'-0"	DROP TUBE SIDE/WELD 1FT 9IN X 7FT LG
DRPP S0012 080	8'-0"	DROP TUBE SIDE/WELD 1FT 9IN X 8FT LG
DRPP S0012 090	9'-0"	DROP TUBE SIDE/WELD 1FT 9IN X 9FT LG
DRPP S0012 100	10'-0"	DROP TUBE SIDE/WELD 1FT 9IN X 10FT LG
DRPP S0012 106	10'-6"	DROP TUBE SIDE/WELD 1FT 9IN X 10FT 6IN LG

HINGE TUBE WELDMENT

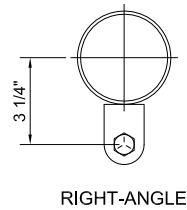
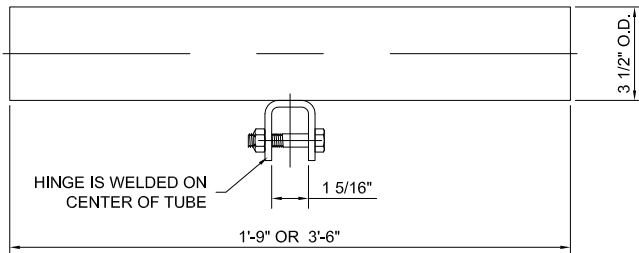


FOR 1'-9" HANDLE

HNGT 17501 05P

FOR 3'-6" HANDLE

HNGT 35001 05P

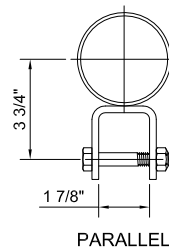
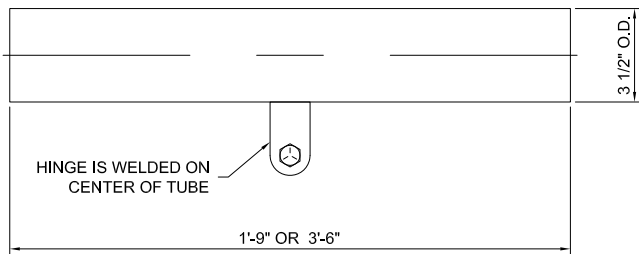


FOR 1'-9" HANDLE

HNGT 17501 05R

FOR 3'-6" HANDLE

HNGT 35001 05R

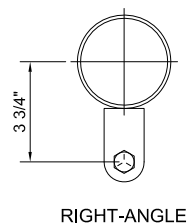
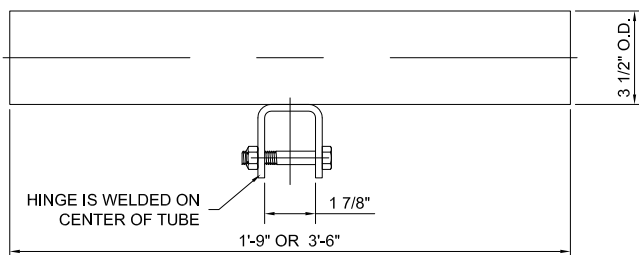


FOR 1'-9" HANDLE

HNGT 17501 10P

FOR 3'-6" HANDLE

HNGT 35001 10P



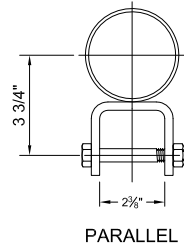
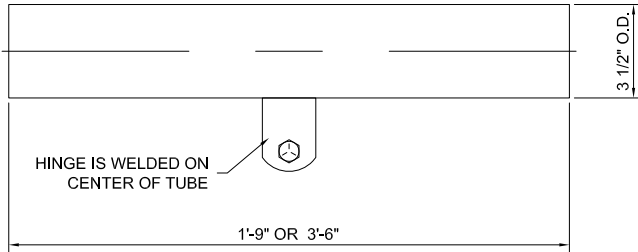
FOR 1'-9" HANDLE

HNGT 17501 10R

FOR 3'-6" HANDLE

HNGT 35001 10R

HINGE TUBE WELDMENT

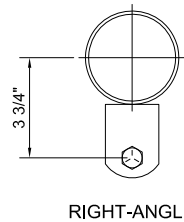
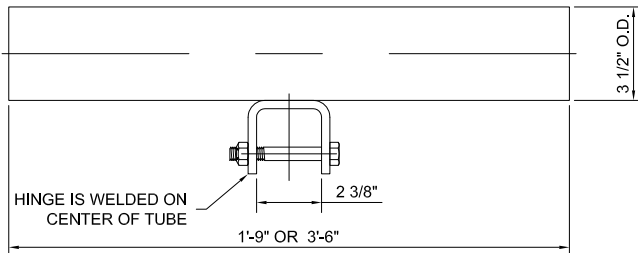


FOR 1'-9" HANDLE

HNGT 17501 20P

FOR 3'-6" HANDLE

HNGT 35001 20P

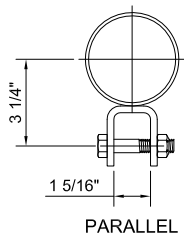
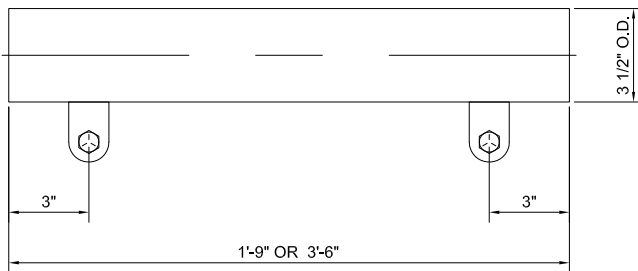


FOR 1'-9" HANDLE

HNGT 17501 20R

FOR 3'-6" HANDLE

HNGT 35001 20R

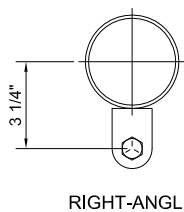
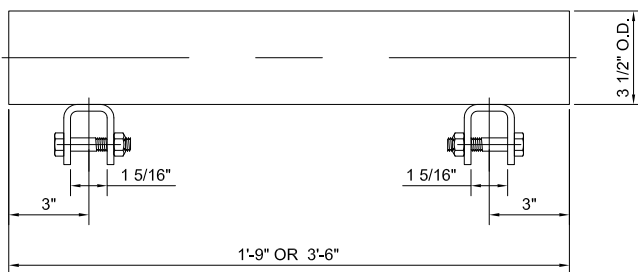


FOR 1'-9" HANDLE

HNGT 17502 05P

FOR 3'-6" HANDLE

HNGT 35002 05P



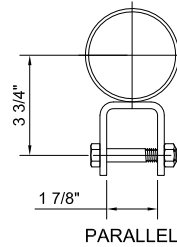
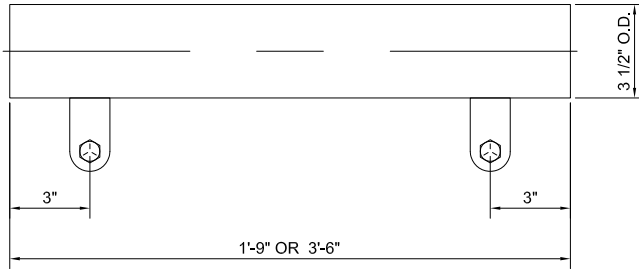
FOR 1'-9" HANDLE

HNGT 17502 05R

FOR 3'-6" HANDLE

HNGT 35002 05R

HINGE TUBE WELDMENT

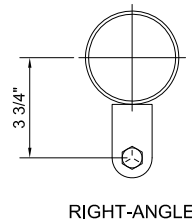
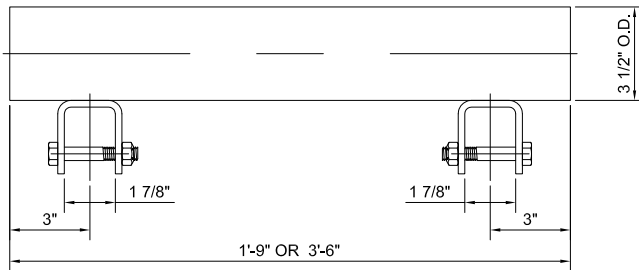


FOR 1'-9" HANDLE

HNGT 17502 10P

FOR 3'-6" HANDLE

HNGT 35002 10P

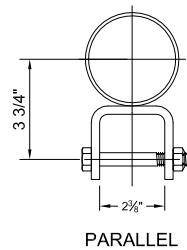
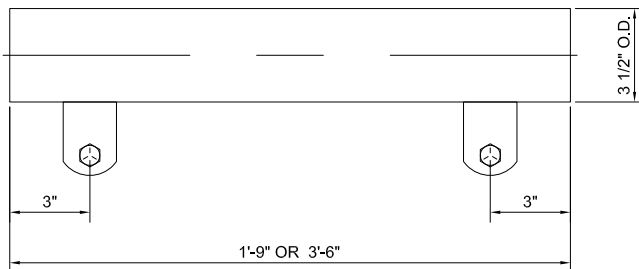


FOR 1'-9" HANDLE

HNGT 17502 10R

FOR 3'-6" HANDLE

HNGT 35002 10R

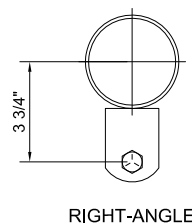
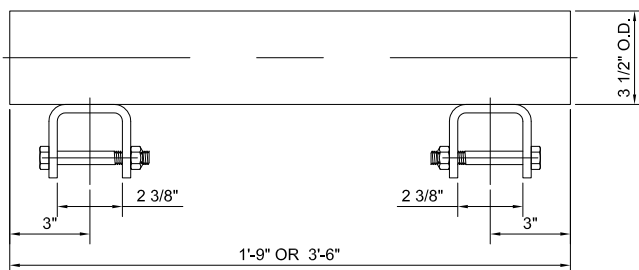


FOR 1'-9" HANDLE

HNGT 17502 20P

FOR 3'-6" HANDLE

HNGT 35002 20P



FOR 1'-9" HANDLE

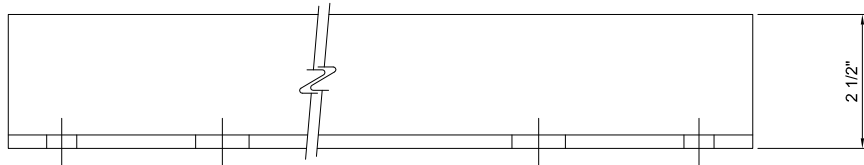
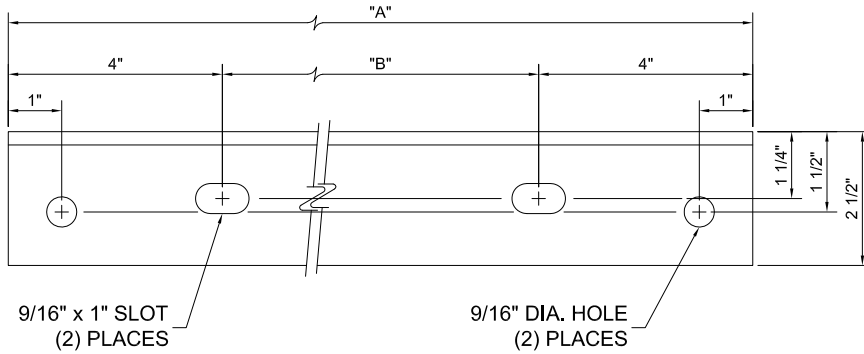
HNGT 17502 20R

FOR 3'-6" HANDLE

HNGT 35002 20R

WIDE GIRDER CLAMP ANGLES

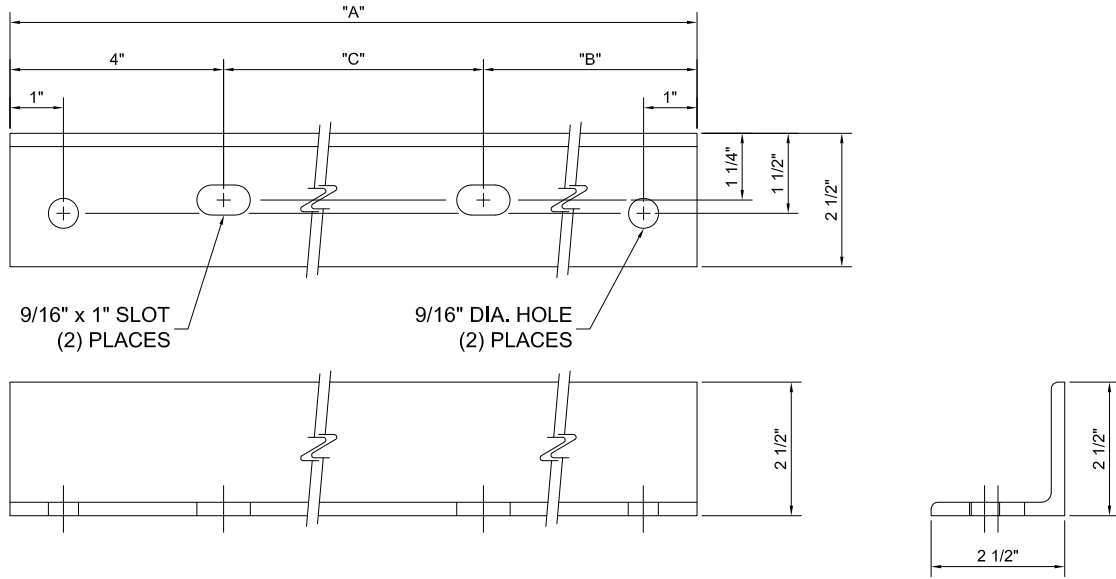
WIDE GIRDER CLAMP ANGLE CENTERED / SYMMETRICAL ATTACHMENT



PART NUMBER	"A"	"B"
ANGL WGC 0500 C	1'-1"	5"
ANGL WGC 0550 C	1'-1 1/2"	5 1/2"
ANGL WGC 0600 C	1'-2"	6"
ANGL WGC 0650 C	1'-2 1/2"	6 1/2"
ANGL WGC 0700 C	1'-3"	7"
ANGL WGC 0750 C	1'-3 1/2"	7 1/2"
ANGL WGC 0800 C	1'-4"	8"
ANGL WGC 0850 C	1'-4 1/2"	8 1/2"
ANGL WGC 0900 C	1'-5"	9"
ANGL WGC 0950 C	1'-5 1/2"	9 1/2"
ANGL WGC 1000 C	1'-6"	10"
ANGL WGC 1050 C	1'-6 1/2"	10 1/2"
ANGL WGC 1100 C	1'-7"	11"
ANGL WGC 1150 C	1'-7 1/2"	11 1/2"
ANGL WGC 1200 C	1'-8"	12"
ANGL WGC 1250 C	1'-8 1/2"	12 1/2"
ANGL WGC 1300 C	1'-9"	13"
ANGL WGC 1400 C	1'-10"	14"
ANGL WGC 1500 C	1'-11"	15"
ANGL WGC 1700 C	2'-1"	17"
ANGL WGC 1800 C	2'-2"	18"
ANGL WGC 1900 C	2'-3"	19"
ANGL WGC 2300 C	2'-7"	23"
ANGL WGC 2500 C	2'-9"	25"

WIDE GIRDER CLAMP ANGLES

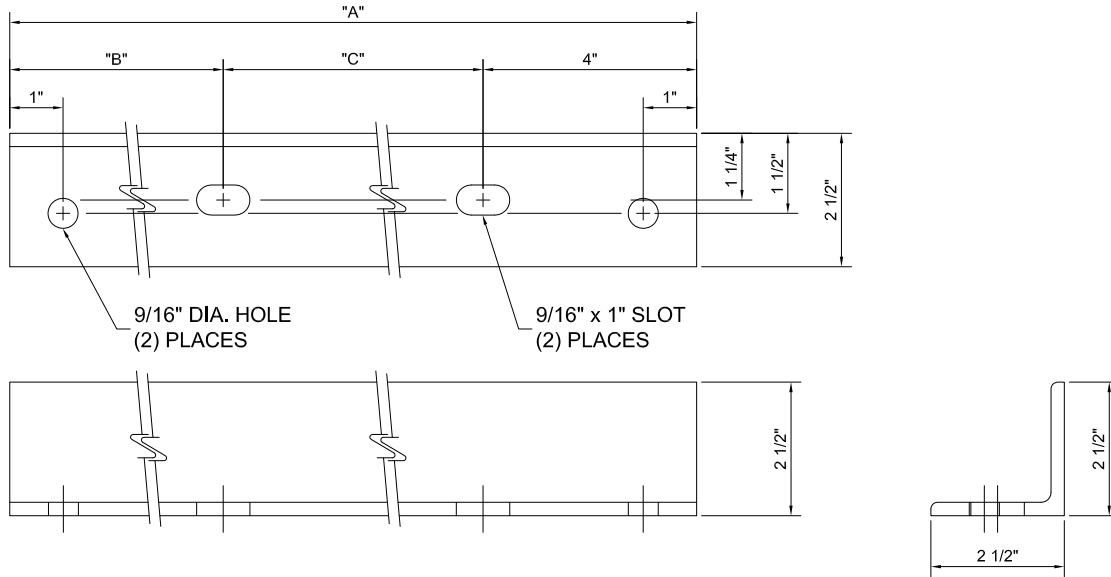
WIDE GIRDER CLAMP ANGLE - LEFT (OFFSET ATTACHMENT)



PART NUMBER	"A"	"B"	"C"
ANGL WGC 0500 L06	1'-7"	10"	5"
ANGL WGC 0550 L06	1'-7 1/2"	10"	5 1/2"
ANGL WGC 0600 L06	1'-8"	10"	6"
ANGL WGC 0650 L06	1'-8 1/2"	10"	6 1/2"
ANGL WGC 0700 L06	1'-9"	10"	7"
ANGL WGC 0750 L06	1'-9 1/2"	10"	7 1/2"
ANGL WGC 0800 L06	1'-10"	10"	8"
ANGL WGC 0850 L06	1'-10 1/2"	10"	8 1/2"
ANGL WGC 0900 L06	1'-11"	10"	9"
ANGL WGC 0950 L06	1'-11 1/2"	10"	9 1/2"
ANGL WGC 1000 L06	2'-0"	10"	10"
ANGL WGC 1050 L06	2'-0 1/2"	10"	10 1/2"
ANGL WGC 1100 L06	2'-1"	10"	11"
ANGL WGC 1150 L06	2'-1 1/2"	10"	11 1/2"
ANGL WGC 1200 L06	2'-2"	10"	12"
ANGL WGC 1250 L06	2'-2 1/2"	10"	12 1/2"
ANGL WGC 1300 L06	2'-3"	10"	13"
ANGL WGC 1500 L06	2'-5"	10"	15"
ANGL WGC 1700 L06	2'-7"	10"	17"

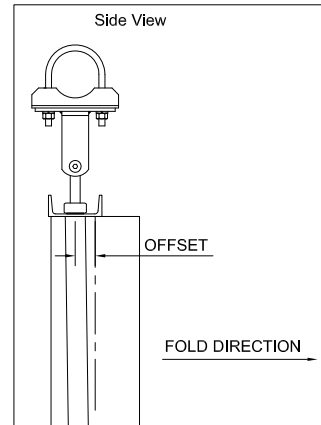
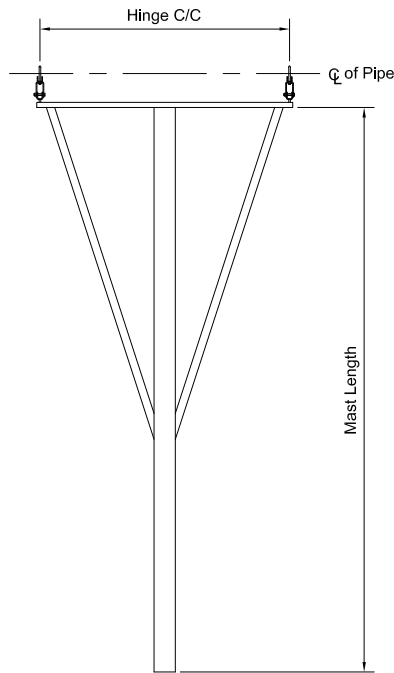
WIDE GIRDER CLAMP ANGLES

WIDE GIRDER CLAMP ANGLE - RIGHT (OFFSET ATTACHMENT)



PART NUMBER	"A"	"B"	"C"
ANGL WGC 0500 R06	1'-7"	10"	5"
ANGL WGC 0550 R06	1'-7 1/2"	10"	5 1/2"
ANGL WGC 0600 R06	1'-8"	10"	6"
ANGL WGC 0650 R06	1'-8 1/2"	10"	6 1/2"
ANGL WGC 0700 R06	1'-9"	10"	7"
ANGL WGC 0750 R06	1'-9 1/2"	10"	7 1/2"
ANGL WGC 0800 R06	1'-10"	10"	8"
ANGL WGC 0850 R06	1'-10 1/2"	10"	8 1/2"
ANGL WGC 0900 R06	1'-11"	10"	9"
ANGL WGC 0950 R06	1'-11 1/2"	10"	9 1/2"
ANGL WGC 1000 R06	2'-0"	10"	10"
ANGL WGC 1050 R06	2'-0 1/2"	10"	10 1/2"
ANGL WGC 1100 R06	2'-1"	10"	11"
ANGL WGC 1150 R06	2'-1 1/2"	10"	11 1/2"
ANGL WGC 1200 R06	2'-2"	10"	12"
ANGL WGC 1250 R06	2'-2 1/2"	10"	12 1/2"
ANGL WGC 1300 R06	2'-3"	10"	13"
ANGL WGC 1400 R06	2'-4"	10"	14"
ANGL WGC 1500 R06	2'-5"	10"	15"
ANGL WGC 1700 R06	2'-7"	10"	17"

900 LINE WELDED MAST CHART



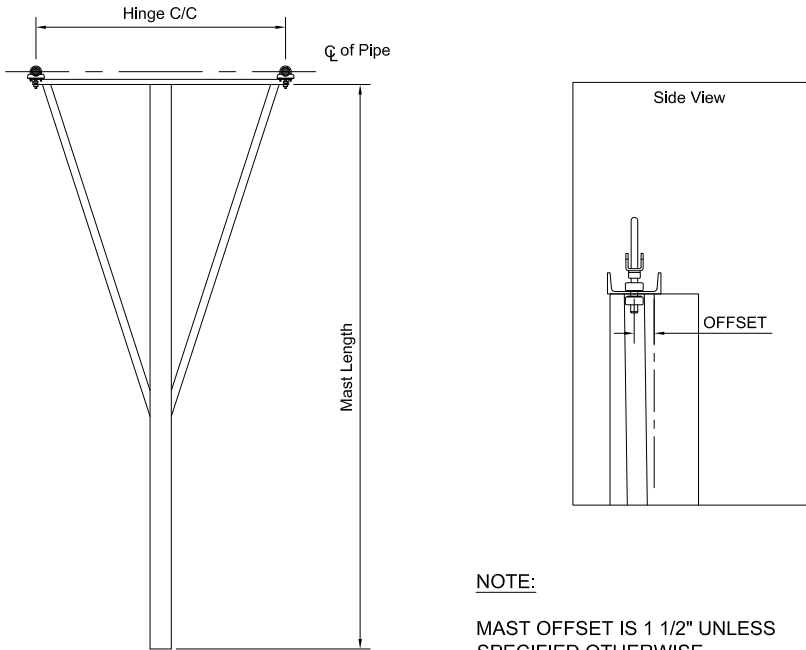
NOTE:

MAST OFFSET IS 1 1/2" UNLESS SPECIFIED OTHERWISE.

FOLDING

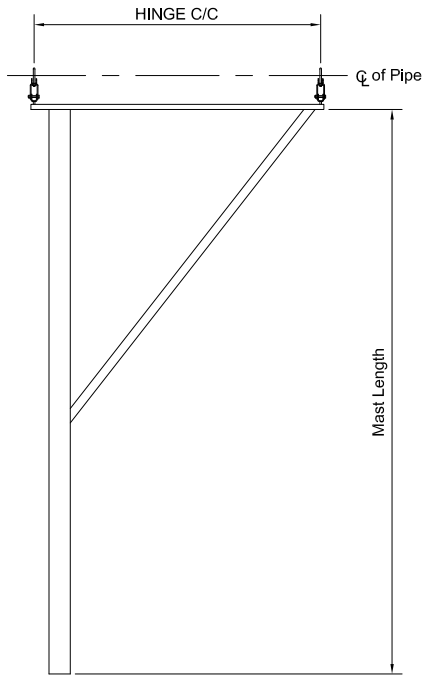
CENTER LINE OF PIPE	917	923	949
16' TO 17'	/	XFRM94001102 (4'-0" C/C 8'-0" LG. 5" Offset)	/
17' TO 18'	/	XFRM94001102 (4'-0" C/C 8'-0" LG. 5" Offset)	/
18' TO 20'	XFRM94002102 (4'-0" C/C 9'-0" LG. 5" Offset)	XFRM94002102 (4'-0" C/C 9'-0" LG. 5" Offset)	XFRM94002102 (4'-0" C/C 9'-0" LG. 5" Offset)
20' TO 22'	XFRM95602002 (5'-6" C/C 13'-0" LG.)	XFRM95602002 (5'-6" C/C 13'-0" LG.)	XFRM95602002 (5'-6" C/C 13'-0" LG.)
22' TO 24'	XFRM96002002 (6'-0" C/C 15'-0")	XFRM96002002 (6'-0" C/C 15'-0")	XFRM96002002 (6'-0" C/C 15'-0")
24' TO 26'	XFRM96602002 (6'-6" C/C 17'-0")	XFRM96602002 (6'-6" C/C 17'-0")	XFRM96602002 (6'-6" C/C 17'-0")
26' TO 28'	XFRM97002002 (7'-0" C/C 19'-0")	XFRM97002002 (7'-0" C/C 19'-0")	XFRM97002002 (7'-0" C/C 19'-0")
28' TO 30'	XFRM98002002 (8'-0" C/C 21'-0")	XFRM98002002 (8'-0" C/C 21'-0")	XFRM98002002 (8'-0" C/C 21'-0")
30' TO 32'	XFRM98004002 (8'-0" C/C 23'-0")	XFRM98004002 (8'-0" C/C 23'-0")	XFRM98004002 (8'-0" C/C 23'-0")

900 LINE WELDED MAST CHART

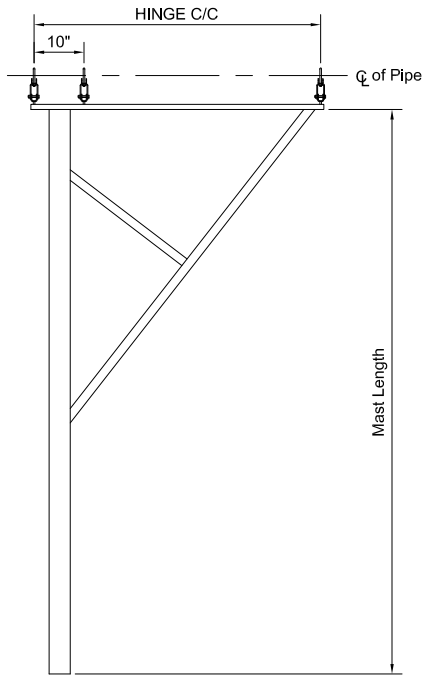


STATIONARY		
CENTER LINE OF PIPE	918	926
16' TO 17'	XFRM94001002 (4'-0" C/C 8'-0")	XFRM94001002 (4'-0" C/C 8'-0")
17' TO 18'	XFRM94001002 (4'-0" C/C 8'-0")	XFRM94001002 (4'-0" C/C 8'-0")
18' TO 20'	XFRM95002102 (4'-0" C/C 9'-0")	XFRM95002102 (4'-0" C/C 9'-0")
20' TO 22'	XFRM95602002 (5'-6" C/C 13'-0" LG.)	XFRM95602002 (5'-6" C/C 13'-0" LG.)
22' TO 24'	XFRM96002002 (6'-0" C/C 15'-0")	XFRM96002002 (6'-0" C/C 15'-0")
24' TO 26'	XFRM96602002 (6'-6" C/C 17'-0")	XFRM96602002 (6'-6" C/C 17'-0")
26' TO 28'	XFRM97002002 (7'-0" C/C 19'-0")	XFRM97002002 (7'-0" C/C 19'-0")
28' TO 30'	XFRM98002002 (8'-0" C/C 21'-0")	XFRM98002002 (8'-0" C/C 21'-0")
30' TO 32'	XFRM98004002 (8'-0" C/C 23'-0")	XFRM98004002 (8'-0" C/C 23'-0")

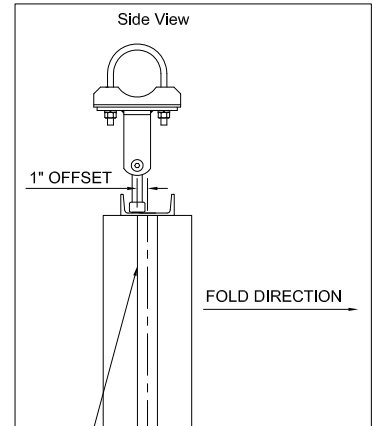
955 WELDED MAST CHART



18' To 28'



28' to 32'



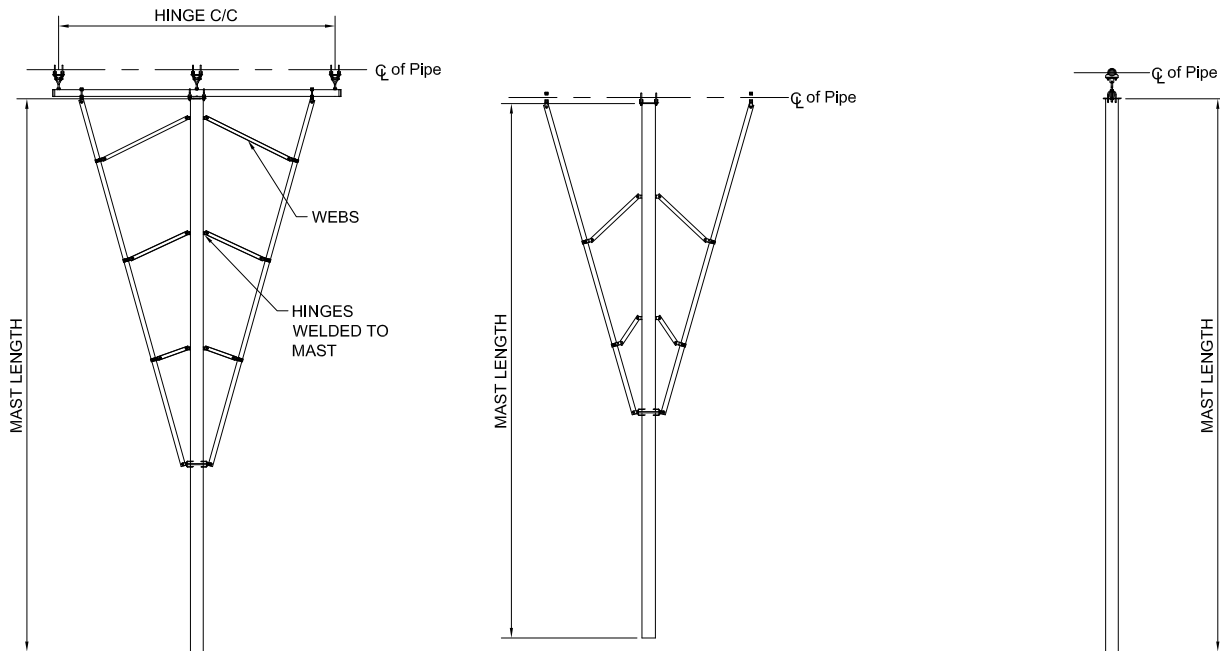
NOTE:

CHANNEL AND BRACE ARE CENTERED ON 6 5/8" TUBE. HANGER WILL BE AT A 1" OFFSET.

SIDE FOLDING	
CENTER LINE OF PIPE	955
18' TO 18'-11"	XFRM9555010 (5'-0" C/C 10'-0" LG.)
19' TO 20'	XFRM9555011 (5'-0" C/C 11'-0" LG.)
20' TO 21'	XFRM9555612 (5'-6" C/C 12'-0" LG.)
21' TO 22'	XFRM9555613 (5'-6" C/C 13'-0" LG.)
22' TO 23'	XFRM9556014 (6'-0" C/C 14'-0" LG.)
23' TO 24'	XFRM9556015 (6'-0" C/C 15'-0")
24' TO 25'	XFRM95556616 (6'-6" C/C 16'-0")

SIDE FOLDING	
CENTER LINE OF PIPE	955
25' TO 26'	XFRM9556617 (6'-6" C/C 17'-0")
26' TO 27'	XFRM9557018 (7'-0" C/C 18'-0")
27' TO 28'	XFRM9557019 (7'-0" C/C 19'-0")
28' TO 29'	XFRM9558020 (8'-0" C/C 20'-0")
29' TO 30'	XFRM9558021 (8'-0" C/C 21'-0")
30' TO 31'	XFRM9558022 (8'-0" C/C 22'-0")
31' TO 32'	XFRM9558023 (8'-0" C/C 23'-0")

900 LINE "W" SERIES MAST CHART



FOLDING	
CENTER LINE OF PIPE	917, 923, 949
28' TO 30'	/
30' TO 32'	XFRM9W100022 (10'-0" C/C 22'-0" LG.) (2 WEBS 4 HINGES)
32' TO 34'	XFRM9W120022 (12'-0" C/C 24'-0" LG.) (3 WEBS 6 HINGES)
34' TO 36'	XFRM9W130022 (13'-0" C/C 26'-0" LG.) (3 WEBS 6 HINGES)
36' TO 38'	XFRM9W140022 (14'-0" C/C 28'-0" LG.) (3 WEBS 6 HINGES)
38' TO 40'	XFRM9W150022 (15'-0" C/C 30'-0" LG.) (4 WEBS 8 HINGES)

STATIONARY	
CENTER LINE OF PIPE	918, 926
28' TO 30'	XFRM9WS0805022 (8'-5" C/C 21'-0" LG.) (2 WEBS 4 HINGES)
30' TO 32'	XFRM9WS0907022 (9'-7" C/C 23'-0" LG.) (2 WEBS 4 HINGES)
32' TO 34'	XFRM9WS1009022 (10'-9" C/C 25'-0" LG.) (3 WEBS 6 HINGES)
34' TO 36'	XFRM9WS1110022 (11'-10" C/C 27'-0" LG.) (3 WEBS 6 HINGES)
36' TO 38'	XFRM9WS1300022 (13'-0" C/C 29'-0" LG.) (4 WEBS 8 HINGES)
38' TO 40'	XFRM9W1402022 (14'-2" C/C 31'-0" LG.) (4 WEBS 8 HINGES)

SIDE FOLDING	
CENTER LINE OF PIPE	955
28' TO 30'	FRME003432362 (20'-0" LG)
30' TO 32'	FRME003432602 (22'-0" LG)
32' TO 34'	FRME003432842 (24'-0" LG)
34' TO 36'	FRME003433082 (26'-0" LG)
36' TO 38'	FRME003433322 (28'-0" LG)
38' TO 40'	FRME003433562 (30'-0" LG)

WALL-MOUNT FLATS AND BRACES

312 WALL-MOUNT BACKSTOP With Fan or Rectangular Backboard **With Height Adjuster **

Backstop Extension	Extension Tube (Qty. 3)	Brace Flat (Qty. 2)	Brace Tube (Qty. 2)
2'-6" to 3'-0"	XEXT 31018 002	XFLT 84038 002	XBRC 31047 002
3'-0 1/8" to 3'-6"	XEXT 31024 002	XFLT 84800 002	XBRC 31051 002
3'-6 1/8" to 4'-0"	XEXT 31030 002	XFLT 84800 002	XBRC 31054 002
4'-0 1/8" to 4'-6"	XEXT 31036 002	XFLT 84900 002	XBRC 31054 002
4'-6 1/8" to 5'-0"	XEXT 31042 002	XFLT 84900 002	XBRC 31057 002
5'-0 1/8" to 5'-6"	XEXT 31048 002	XFLT 85000 002	XBRC 31063 002
5'-6 1/8" to 6'-0"	XEXT 31054 002	XFLT 85100 002	XBRC 31069 002
6'-0 1/8" to 6'-6"	XEXT 31060 002	XFLT 85200 002	XBRC 31075 002
6'-6 1/8" to 7'-0"	XEXT 31066 002	XFLT 85300 002	XBRC 31075 002
7'-0 1/8" to 7'-6"	XEXT 31072 002	XFLT 90500 002	XBRC 31081 002
7'-6 1/8" to 8'-0"	XEXT 31078 002	XFLT 88300 002	XBRC 31087 002
8'-0 1/8" to 8'-6"	XEXT 31084 002	XFLT 88500 002	XBRC 31093 002
8'-6 1/8" to 9'-0"	XEXT 31090 002	XFLT 88500 002	XBRC 31099 002
9'-0 1/8" to 9'-6"	XEXT 31096 002	XFLT 88600 002	XBRC 31105 002
9'-6 1/8" to 10'-0"	XEXT 31102 002	XFLT 88600 002	XBRC 31111 002
Backstop Extension	Extension Tube (Qty. 3)	Brace Flat (Qty. 4)	Brace Tube (Qty. 4)
10'-0 1/8" to 10'-6"	XEXT 31108 002	XFLT 85100 002	XBRC 31069 002
10'-6 1/8" to 11'-0"	XEXT 31114 002	XFLT 85100 002	XBRC 31069 002
11'-0 1/8" to 11'-6"	XEXT 31120 002	XFLT 85200 002	XBRC 31075 002
11'-6 1/8" to 12'-0"	XEXT 31126 002	XFLT 85200 002	XBRC 31075 002

WALL-MOUNT FLATS AND BRACES

312 WALL-MOUNT BACKSTOP With Fan Backboard **No Height Adjuster **			
Backstop Extension	Extension Tube (Qty. 3)	Brace Flat (Qty. 2)	Brace Tube (Qty. 2)
1'-6"	-	-	XBRC 31031 002
2'-0" to 2'-6"	XEXT 31018 002	XFLT 84038 002	XBRC 31033 002
2'-6" to 3'-0"	XEXT 31024 002	XFLT 84800 002	XBRC 31036 002
3'-0 1/8" to 3'-6"	XEXT 31030 002	XFLT 84800 002	XBRC 31039 002
3'-6 1/8" to 4'-0"	XEXT 31036 002	XFLT 84900 002	XBRC 31045 002
4'-0 1/8" to 4'-6"	XEXT 31042 002	XFLT 85000 002	XBRC 31048 002
4'-6 1/8" to 5'-0"	XEXT 31048 002	XFLT 85000 002	XBRC 31054 002
5'-0 1/8" to 5'-6"	XEXT 31054 002	XFLT 85100 002	XBRC 31057 002
5'-6 1/8" to 6'-0"	XEXT 31060 002	XFLT 85200 002	XBRC 31063 002
6'-0 1/8" to 6'-6"	XEXT 31066 002	XFLT 85300 002	XBRC 31069 002
6'-6 1/8" to 7'-0"	XEXT 31072 002	XFLT 90500 002	XBRC 31075 002
7'-0 1/8" to 7'-6"	XEXT 31078 002	XFLT 88300 002	XBRC 31081 002
7'-6 1/8" to 8'-0"	XEXT 31084 002	XFLT 88500 002	XBRC 31087 002
8'-0 1/8" to 8'-6"	XEXT 31090 002	XFLT 88500 002	XBRC 31093 002
8'-6 1/8" to 9'-0"	XEXT 31096 002	XFLT 88600 002	XBRC 31099 002
9'-0 1/8" to 9'-6"	XEXT 31102 002	XFLT 84105 002	XBRC 31105 002
9'-6 1/8" to 10'-0"	XEXT 31108 002	XFLT 84105 002	XBRC 31111 002
Backstop Extension	Extension Tube (Qty. 3)	Brace Flat (Qty. 4)	Brace Tube (Qty. 4)
10'-0 1/8" to 10'-6"	XEXT 31114 002	XFLT 85100 002	XBRC 31063 002
10'-6 1/8" to 11'-0"	XEXT 31120 002	XFLT 85200 002	XBRC 31063 002
11'-0 1/8" to 11'-6"	XEXT 31126 002	XFLT 85300 002	XBRC 31069 002
11'-6 1/8" to 12'-0"	XEXT 31132 002	XFLT 85300 002	XBRC 31069 002

WALL-MOUNT FLATS AND BRACES

312 WALL-MOUNT BACKSTOP With Rectangular Backboard **No Height Adjuster **			
Backstop Extension	Extension Tube (Qty. 3)	Brace Flat (Qty. 2)	Brace Tube (Qty. 2)
1'-6"	-	-	XBRC 31048 002
2'-0" to 2'-6"	XEXT 31018 002	XFLT 85200 002	XBRC 31051 002
2'-6" to 3'-0"	XEXT 31024 002	XFLT 85300 002	XBRC 31051 002
3'-0 1/8" to 3'-6"	XEXT 31030 002	XFLT 85300 002	XBRC 31054 002
3'-6 1/8" to 4'-0"	XEXT 31036 002	XFLT 85300 002	XBRC 31057 002
4'-0 1/8" to 4'-6"	XEXT 31042 002	XFLT 90500 002	XBRC 31063 002
4'-6 1/8" to 5'-0"	XEXT 31048 002	XFLT 88300 002	XBRC 31063 002
5'-0 1/8" to 5'-6"	XEXT 31054 002	XFLT 88400 002	XBRC 31069 002
5'-6 1/8" to 6'-0"	XEXT 31060 002	XFLT 88500 002	XBRC 31075 002
6'-0 1/8" to 6'-6"	XEXT 31066 002	XFLT 88500 002	XBRC 31075 002
6'-6 1/8" to 7'-0"	XEXT 31072 002	XFLT 88600 002	XBRC 31081 002
7'-0 1/8" to 7'-6"	XEXT 31078 002	XFLT 88600 002	XBRC 31087 002
7'-6 1/8" to 8'-0"	XEXT 31084 002	XFLT 88600 002	XBRC 31093 002
8'-0 1/8" to 8'-6"	XEXT 31090 002	XFLT 84105 002	XBRC 31099 002
8'-6 1/8" to 9'-0"	XEXT 31096 002	XFLT 84105 002	XBRC 31105 002
9'-0 1/8" to 9'-6"	XEXT 31102 002	XFLT 84114 002	XBRC 31111 002
9'-6 1/8" to 10'-0"	XEXT 31108 002	XFLT 84114 002	XBRC 31111 002
Backstop Extension	Extension Tube (Qty. 3)	Brace Flat (Qty. 4)	Brace Tube (Qty. 4)
10'-0 1/8" to 10'-6"	XEXT 31114 002	XFLT 88400 002	XBRC 31069 002
10'-6 1/8" to 11'-0"	XEXT 31120 002	XFLT 88500 002	XBRC 31075 002
11'-0 1/8" to 11'-6"	XEXT 31126 002	XFLT 88500 002	XBRC 31075 002
11'-6 1/8" to 12'-0"	XEXT 31132 002	XFLT 88500 002	XBRC 31081 002

WALL-MOUNT FLATS AND BRACES

219 WALL-MOUNT BACKSTOP With Fan Backboard **No Height Adjuster **

Backstop Extension	Extension Tube (Qty. 4)	Brace Flat (Qty. 2)
4'-0" to 4'-6"	XEXT 31036 002	XFLT 84900 002
4'-6 1/8" to 5'-0"	XEXT 31042 002	XFLT 85000 002
5'-0 1/8" to 5'-6"	XEXT 31048 002	XFLT 85100 002
5'-6 1/8" to 6'-0"	XEXT 31054 002	XFLT 85100 002
6'-0 1/8" to 6'-6"	XEXT 31060 002	XFLT 85300 002
6'-6 1/8" to 7'-0"	XEXT 31066 002	XFLT 85300 002
7'-0 1/8" to 7'-6"	XEXT 31072 002	XFLT 88300 002
7'-6 1/8" to 8'-0"	XEXT 31078 002	XFLT 88400 002
8'-0 1/8" to 8'-6"	XEXT 31084 002	XFLT 88500 002
8'-6 1/8" to 9'-0"	XEXT 31090 002	XFLT 88600 002
9'-0 1/8" to 9'-6"	XEXT 31096 002	XFLT 88600 002
9'-6 1/8" to 10'-0"	XEXT 31102 002	XFLT 84105 002
Backstop Extension	Extension Tube (Qty. 4)	Brace Flat (Qty. 8)
10'-0 1/8" to 10'-6"	XEXT 31108 002	XFLT 85100 002
10'-6 1/8" to 11'-0"	XEXT 31114 002	XFLT 85100 002
11'-0 1/8" to 11'-6"	XEXT 31120 002	XFLT 85200 002
11'-6 1/8" to 12'-0"	XEXT 31126 002	XFLT 85300 002

WALL-MOUNT FLATS AND BRACES

219 WALL-MOUNT BACKSTOP With Rectangular Backboard **No Height Adjuster **

Backstop Extension	Extension Tube (Qty. 4)	Brace Flat (Qty. 2)
4'-0" to 4'-6"	XEXT 31036 002	XFLT 85300 002
4'-6 1/8" to 5'-0"	XEXT 31042 002	XFLT 90500 002
5'-0 1/8" to 5'-6"	XEXT 31048 002	XFLT 88300 002
5'-6 1/8" to 6'-0"	XEXT 31054 002	XFLT 88400 002
6'-0 1/8" to 6'-6"	XEXT 31060 002	XFLT 88500 002
6'-6 1/8" to 7'-0"	XEXT 31066 002	XFLT 88500 002
7'-0 1/8" to 7'-6"	XEXT 31072 002	XFLT 88600 002
7'-6 1/8" to 8'-0"	XEXT 31078 002	XFLT 88600 002
8'-0 1/8" to 8'-6"	XEXT 31084 002	XFLT 84105 002
8'-6 1/8" to 9'-0"	XEXT 31090 002	XFLT 84105 002
9'-0 1/8" to 9'-6"	XEXT 31096 002	XFLT 84114 002
9'-6 1/8" to 10'-0"	XEXT 31102 002	XFLT 84114 002
Backstop Extension	Extension Tube (Qty. 4)	Brace Flat (Qty. 8)
10'-0 1/8" to 10'-6"	XEXT 31108 002	XFLT 88300 002
10'-6 1/8" to 11'-0"	XEXT 31114 002	XFLT 88400 002
11'-0 1/8" to 11'-6"	XEXT 31120 002	XFLT 88400 002
11'-6 1/8" to 12'-0"	XEXT 31126 002	XFLT 88500 002

WALL-MOUNT FLATS AND BRACES

219 WALL-MOUNT BACKSTOP With Fan or Rectangular Backboard **With Height Adjuster **

Backstop Extension	Extension Tube (Qty. 4)	Brace Flat (Qty. 2)
4'-0" to 4'-6"	XEXT 31030 002	XFLT 84800 002
4'-6 1/8" to 5'-0"	XEXT 31036 002	XFLT 84900 002
5'-0 1/8" to 5'-6"	XEXT 31042 002	XFLT 84900 002
5'-6 1/8" to 6'-0"	XEXT 31048 002	XFLT 85000 002
6'-0 1/8" to 6'-6"	XEXT 31054 002	XFLT 85100 002
6'-6 1/8" to 7'-0"	XEXT 31060 002	XFLT 85200 002
7'-0 1/8" to 7'-6"	XEXT 31066 002	XFLT 85300 002
7'-6 1/8" to 8'-0"	XEXT 31072 002	XFLT 90500 002
8'-0 1/8" to 8'-6"	XEXT 31078 002	XFLT 88400 002
8'-6 1/8" to 9'-0"	XEXT 31084 002	XFLT 88500 002
9'-0 1/8" to 9'-6"	XEXT 31090 002	XFLT 88500 002
9'-6 1/8" to 10'-0"	XEXT 31096 002	XFLT 88600 002
Backstop Extension	Extension Tube (Qty. 4)	Brace Flat (Qty. 8)
10'-0 1/8" to 10'-6"	XEXT 31102 002	XFLT 85100 002
10'-6 1/8" to 11'-0"	XEXT 31108 002	XFLT 85100 002
11'-0 1/8" to 11'-6"	XEXT 31114 002	XFLT 85100 002
11'-6 1/8" to 12'-0"	XEXT 31120 002	XFLT 85200 002

WALL-MOUNT FLATS AND BRACES

220 WALL-MOUNT BACKSTOP With Fan Backboard **No Height Adjuster **

Backstop Extension	Extension Tube (Qty. 4)	Brace Flat (Qty. 2)	Outer Telescoping Tube	Inner Telescoping Tube
4'-0" to 4'-6"	XEXT 31036 002	XFLT 84038 002	XBRC 00038 002	XBRC 01041 000
4'-6 1/8" to 5'-0"	XEXT 31042 002	XFLT 84800 002	XBRC 00042 002	XBRC 01045 000
5'-0 1/8" to 5'-6"	XEXT 31048 002	XFLT 84900 002	XBRC 00047 002	XBRC 01050 000
5'-6 1/8" to 6'-0"	XEXT 31054 002	XFLT 85000 002	XBRC 00052 002	XBRC 01055 000
6'-0 1/8" to 6'-6"	XEXT 31060 002	XFLT 85100 002	XBRC 00058 002	XBRC 01061 000
6'-6 1/8" to 7'-0"	XEXT 31066 002	XFLT 85300 002	XBRC 00063 002	XBRC 01066 000
7'-0 1/8" to 7'-6"	XEXT 31072 002	XFLT 85300 002	XBRC 00069 002	XBRC 01072 000
7'-6 1/8" to 8'-0"	XEXT 31078 002	XFLT 88300 002	XBRC 00074 002	XBRC 01077 000
8'-0 1/8" to 8'-6"	XEXT 31084 002	XFLT 88400 002	XBRC 00078 002	XBRC 01081 000
8'-6 1/8" to 9'-0"	XEXT 31090 002	XFLT 88500 002	XBRC 00085 002	XBRC 01088 000
9'-0 1/8" to 9'-6"	XEXT 31096 002	XFLT 88600 002	XBRC 00091 002	XBRC 01094 000
9'-6 1/8" to 10'-0"	XEXT 31102 002	XFLT 88600 002	XBRC 00096 002	XBRC 01099 000
Backstop Extension	Extension Tube (Qty. 4)	Brace Flat (Qty. 4)	Outer Telescoping Tube	Inner Telescoping Tube
10'-0 1/8" to 10'-6"	XEXT 31108 002	XFLT 85000 002	XBRC 00103 002	XBRC 00106 002
10'-6 1/8" to 11'-0"	XEXT 31114 002	XFLT 85100 002	XBRC 00108 002	XBRC 01111 002
11'-0 1/8" to 11'-6"	XEXT 31120 002	XFLT 85100 002	XBRC 00114 002	XBRC 01117 002
11'-6 1/8" to 12'-0"	XEXT 31126 002	XFLT 85100 002	XBRC 00121 002	XBRC 01124 002

WALL-MOUNT FLATS AND BRACES

220 WALL-MOUNT BACKSTOP With Rectangular Backboard **No Height Adjuster **

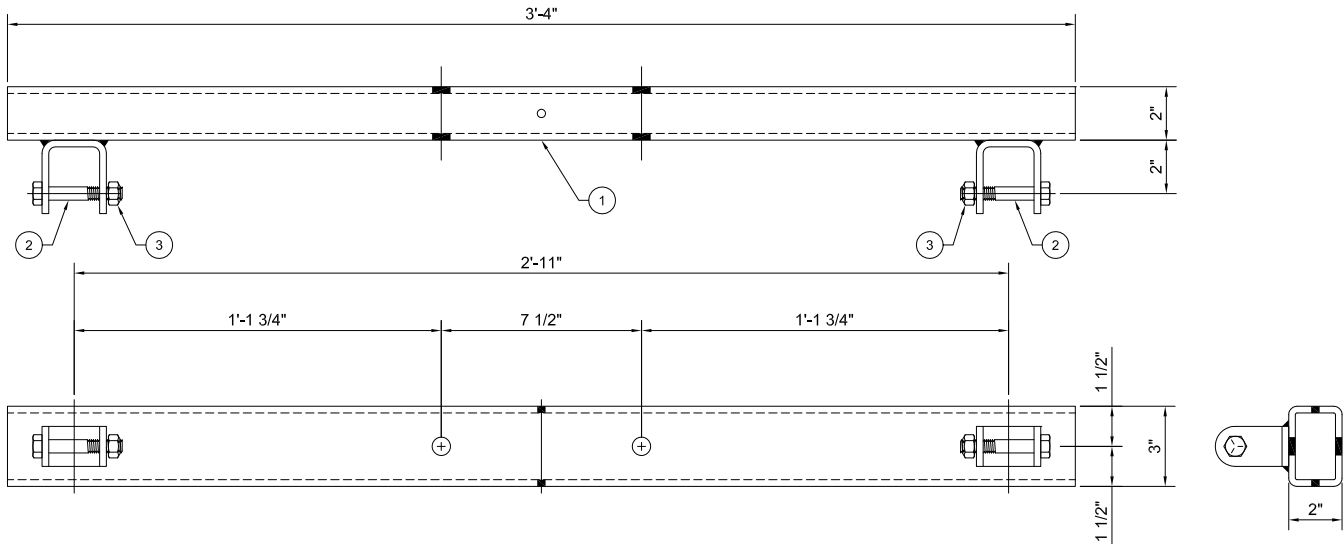
Backstop Extension	Extension Tube (Qty. 4)	Brace Flat (Qty. 2)	Outer Telescoping Tube	Inner Telescoping Tube
4'-0" to 4'-6"	XEXT 31036 002	XFLT 84900 002	XBRC 00063 002	XBRC 01066 000
4'-6 1/8" to 5'-0"	XEXT 31042 002	XFLT 85000 002	XBRC 00066 002	XBRC 01069 000
5'-0 1/8" to 5'-6"	XEXT 31048 002	XFLT 85100 002	XBRC 00069 002	XBRC 01072 000
5'-6 1/8" to 6'-0"	XEXT 31054 002	XFLT 85100 002	XBRC 00074 002	XBRC 01077 000
6'-0 1/8" to 6'-6"	XEXT 31060 002	XFLT 85300 002	XBRC 00078 002	XBRC 01081 000
6'-6 1/8" to 7'-0"	XEXT 31066 002	XFLT 85300 002	XBRC 00082 002	XBRC 01085 000
7'-0 1/8" to 7'-6"	XEXT 31072 002	XFLT 88300 002	XBRC 00085 002	XBRC 01088 000
7'-6 1/8" to 8'-0"	XEXT 31078 002	XFLT 88400 002	XBRC 00091 002	XBRC 01094 000
8'-0 1/8" to 8'-6"	XEXT 31084 002	XFLT 88500 002	XBRC 00096 002	XBRC 01099 000
8'-6 1/8" to 9'-0"	XEXT 31090 002	XFLT 88600 002	XBRC 00100 002	XBRC 01103 000
9'-0 1/8" to 9'-6"	XEXT 31096 002	XFLT 88600 002	XBRC 00103 002	XBRC 01106 000
9'-6 1/8" to 10'-0"	XEXT 31102 002	XFLT 84105 002	XBRC 00108 002	XBRC 01111 000
Backstop Extension	Extension Tube (Qty. 4)	Brace Flat (Qty. 4)	Outer Telescoping Tube	Inner Telescoping Tube
10'-0 1/8" to 10'-6"	XEXT 31108 002	XFLT 85100 002	XBRC 00114 002	XBRC 01117 002
10'-6 1/8" to 11'-0"	XEXT 31114 002	XFLT 85100 002	XBRC 00121 002	XBRC 01124 002
11'-0 1/8" to 11'-6"	XEXT 31120 002	XFLT 85200 002	XBRC 00126 002	XBRC 01129 002
11'-6 1/8" to 12'-0"	XEXT 31126 002	XFLT 85300 002	XBRC 00131 002	XBRC 01134 002

WALL-MOUNT FLATS AND BRACES

220 WALL-MOUNT BACKSTOP With Fan or Rectangular Backboard **With Height Adjuster **

Backstop Extension	Extension Tube (Qty. 4)	Brace Flat (Qty. 2)	Outer Telescoping Tube	Inner Telescoping Tube
4'-0" to 4'-6"	XEXT 31030 002	XFLT 84900 002	XBRC 00034 002	XBRC 01037 000
4'-6 1/8" to 5'-0"	XEXT 31036 002	XFLT 85000 002	XBRC 00038 002	XBRC 01041 000
5'-0 1/8" to 5'-6"	XEXT 31042 002	XFLT 85100 002	XBRC 00042 002	XBRC 01045 000
5'-6 1/8" to 6'-0"	XEXT 31048 002	XFLT 85100 002	XBRC 00047 002	XBRC 01050 000
6'-0 1/8" to 6'-6"	XEXT 31054 002	XFLT 85200 002	XBRC 00052 002	XBRC 01055 000
6'-6 1/8" to 7'-0"	XEXT 31060 002	XFLT 85300 002	XBRC 00058 002	XBRC 01061 000
7'-0 1/8" to 7'-6"	XEXT 31066 002	XFLT 90500 002	XBRC 00063 002	XBRC 01066 000
7'-6 1/8" to 8'-0"	XEXT 31072 002	XFLT 88300 002	XBRC 00069 002	XBRC 01072 000
8'-0 1/8" to 8'-6"	XEXT 31078 002	XFLT 88500 002	XBRC 00074 002	XBRC 01077 000
8'-6 1/8" to 9'-0"	XEXT 31084 002	XFLT 88500 002	XBRC 00078 002	XBRC 01081 000
9'-0 1/8" to 9'-6"	XEXT 31090 002	XFLT 88600 002	XBRC 00085 002	XBRC 01088 000
9'-6 1/8" to 10'-0"	XEXT 31096 002	XFLT 84105 002	XBRC 00091 002	XBRC 01094 000
Backstop Extension	Extension Tube (Qty. 4)	Brace Flat (Qty. 4)	Outer Telescoping Tube	Inner Telescoping Tube
10'-0 1/8" to 10'-6"	XEXT 31102 002	XFLT 85100 002	XBRC 00096 002	XBRC 01099 002
10'-6 1/8" to 11'-0"	XEXT 31108 002	XFLT 85200 002	XBRC 00103 002	XBRC 01106 002
11'-0 1/8" to 11'-6"	XEXT 31114 002	XFLT 85200 002	XBRC 00108 002	XBRC 01111 002
11'-6 1/8" to 12'-0"	XEXT 31120 002	XFLT 85300 002	XBRC 00114 002	XBRC 01117 002

WALL-MOUNT WELDMENTS

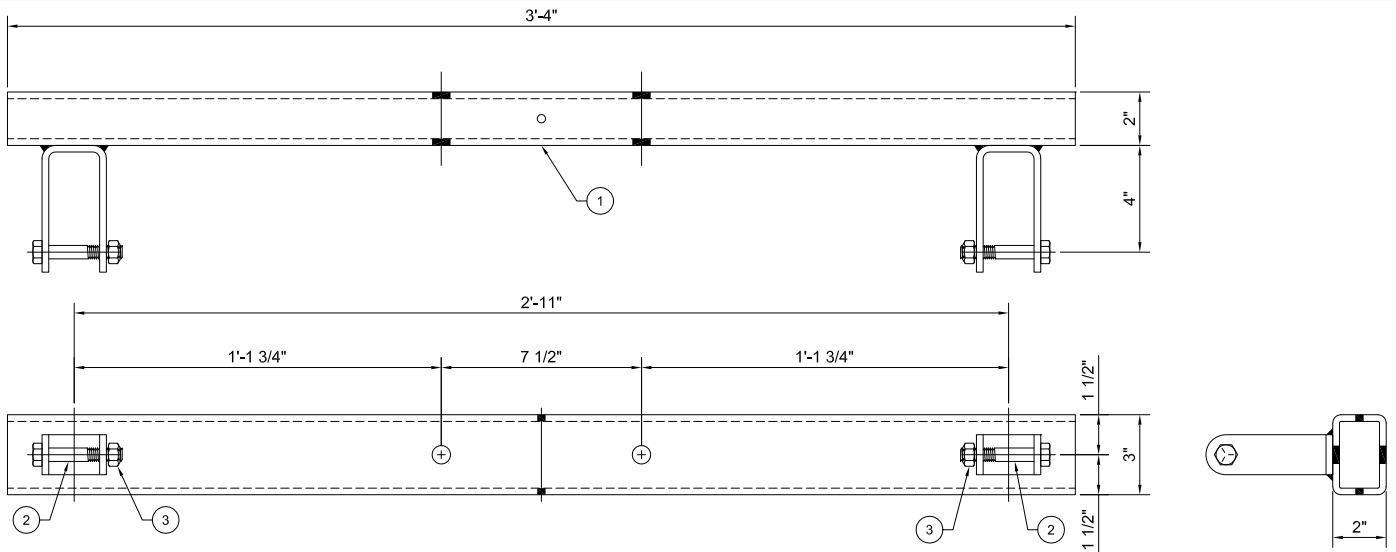


Required Parts For One (1) Complete SPAN TUBE WELDMENT

Item #	Qty.	Part Number	Description
1	1		TUBE / HINGE WELDMENT
2	2	HDWE 01140 0E0	1/2" x 3" Lg. HEX HEAD CAP SCREW (GRADE 5)
3	2	HDWE 03073 0E0	1/2" ALLMETAL CONVEX LOCKNUT (GRADE C)

XEXT 22001 002

SPAN TUBE WELDMENT W/ SHORT HINGES
FOR 219 BACKSTOPS WITH HEIGHT ADJUSTERS



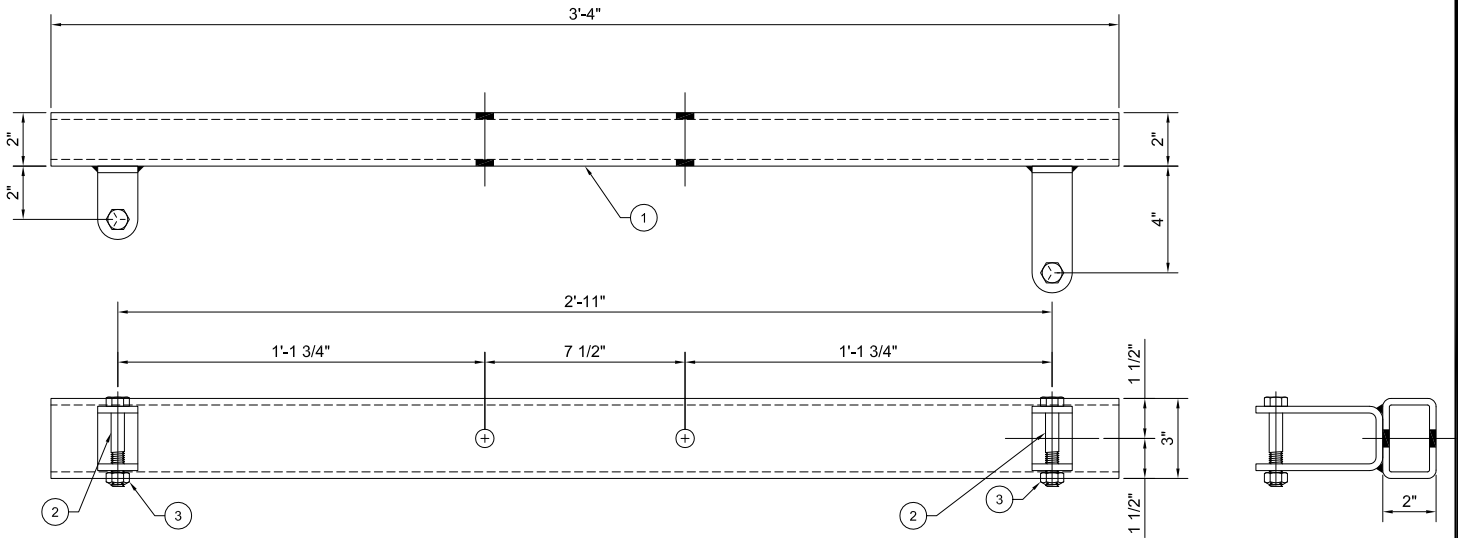
Required Parts For One (1) Complete SPAN TUBE WELDMENT

Item #	Qty.	Part Number	Description
1	1		TUBE / HINGE WELDMENT
2	2	HDWE 01140 0E0	1/2" x 3" Lg. HEX HEAD CAP SCREW (GRADE 5)
3	2	HDWE 03073 0E0	1/2" ALLMETAL CONVEX LOCKNUT (GRADE C)

XEXT 21902 002

SPAN TUBE WELDMENT W/ LONG HINGES
FOR 219 BACKSTOPS WITH HEIGHT ADJUSTERS

WALL-MOUNT WELDMENTS

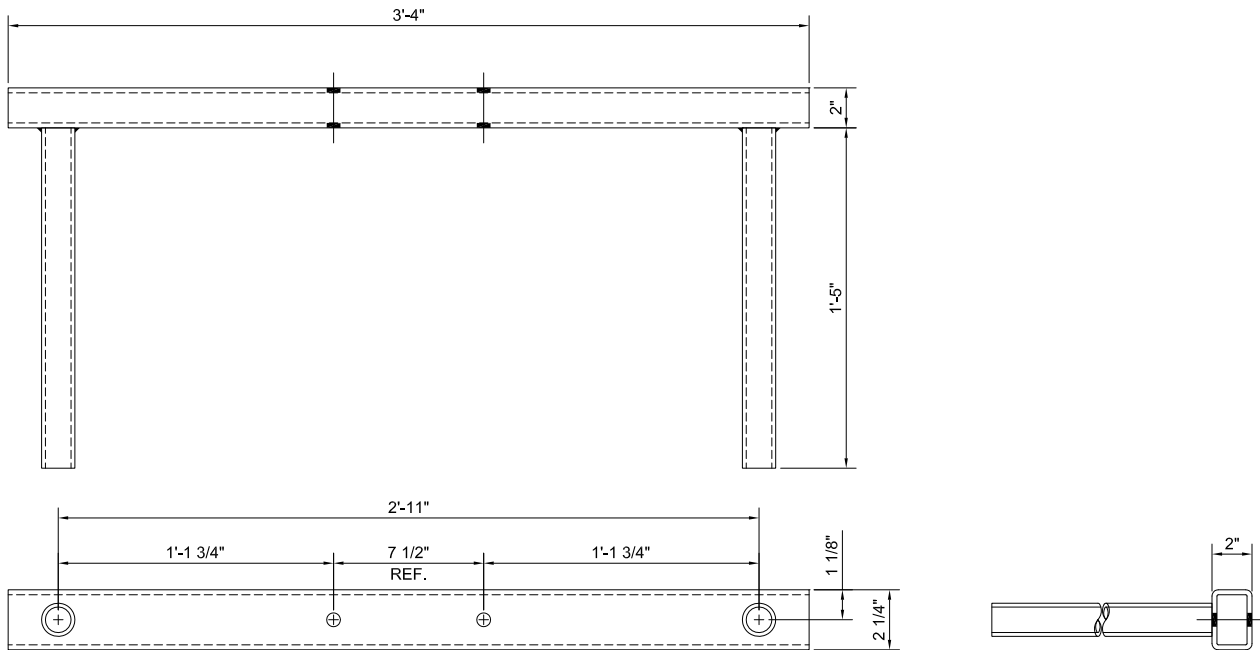


Required Parts For One (1) Complete SPAN TUBE WELDMENT

Item #	Qty.	Part Number	Description
1	1		TUBE / HINGE WELDMENT
2	2	HDWE 01140 0E0	1/2" x 3" Lg. HEX HEAD CAP SCREW (GRADE 5)
3	2	HDWE 03073 0E0	1/2" ALLMETAL CONVEX LOCKNUT (GRADE C)

XEXT 22002 002

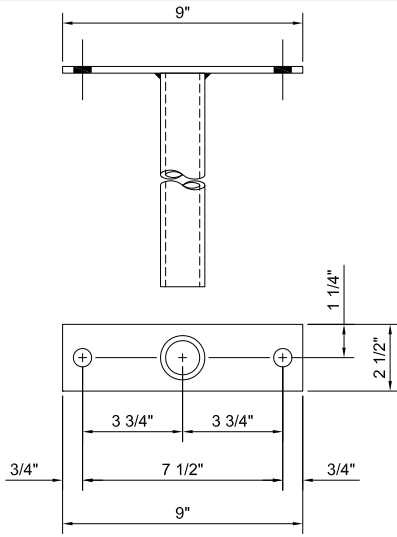
SPAN TUBE WELDMENT W/ SHORT AND LONG HINGES
FOR 220 BACKSTOPS WITH HEIGHT ADJUSTERS



XEXT 22002 002

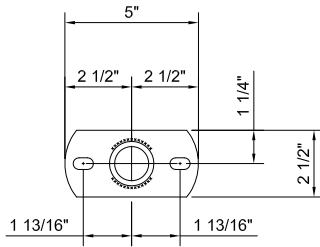
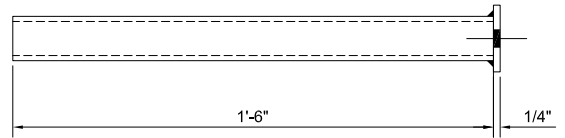
SPAN TUBE WELDMENT W/ SHORT AND LONG HINGES
FOR 312 BACKSTOPS WITH HEIGHT ADJUSTERS

WALL-MOUNT WELDMENTS



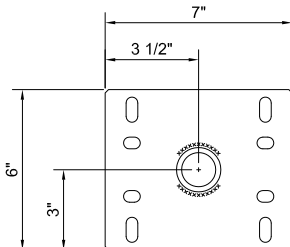
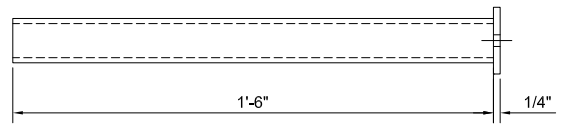
XEXT 31217 002

EXTENSION TUBE WITH PLATE
FOR 312 WALL-MOUNT BACKSTOPS WITH HEIGHT ADJUSTERS



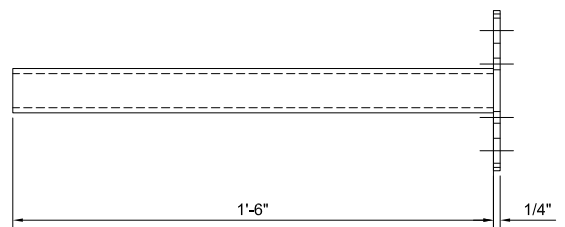
XEXT 21215 002

EXTENSION TUBE WITH PLATE
FOR 312 WALL-MOUNT BACKSTOPS WITHOUT HEIGHT ADJUSTERS

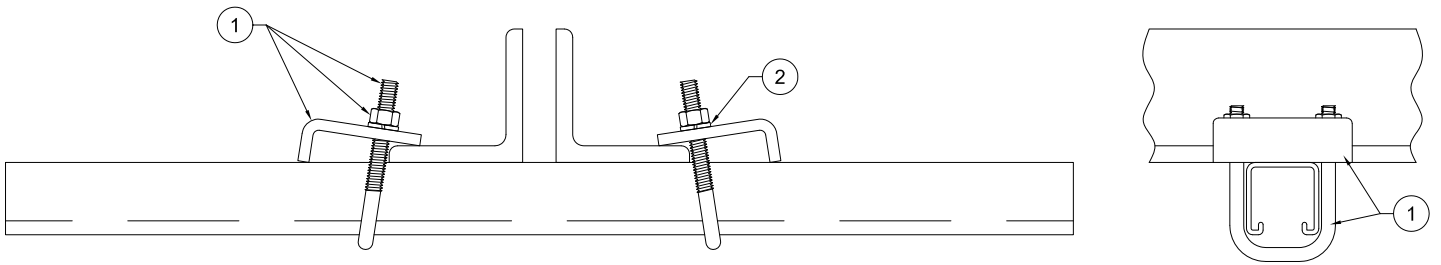


XEXT 20312 150

EXTENSION TUBE WITH PLATE
FOR 312 WALL-MOUNT BACKSTOPS WITHOUT HEIGHT ADJUSTERS

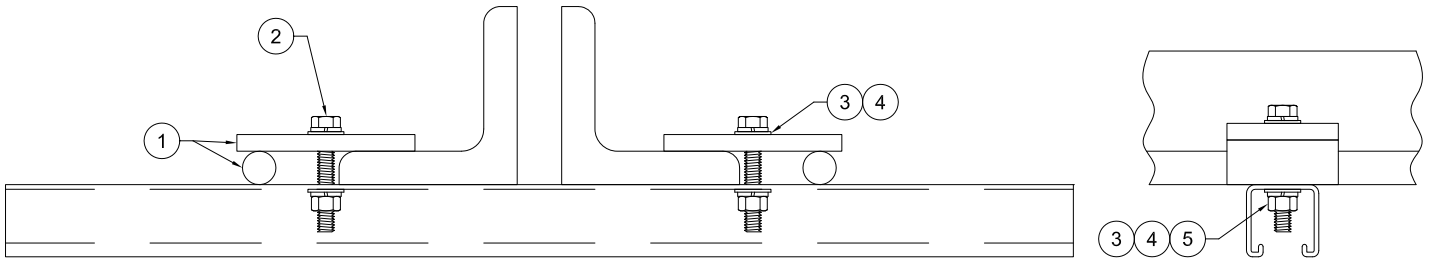


SUPER STRUCTURE ATTACHMENTS



**Required Parts For One (1) Connection.
Unistrut Clamp To Joist Flange.**

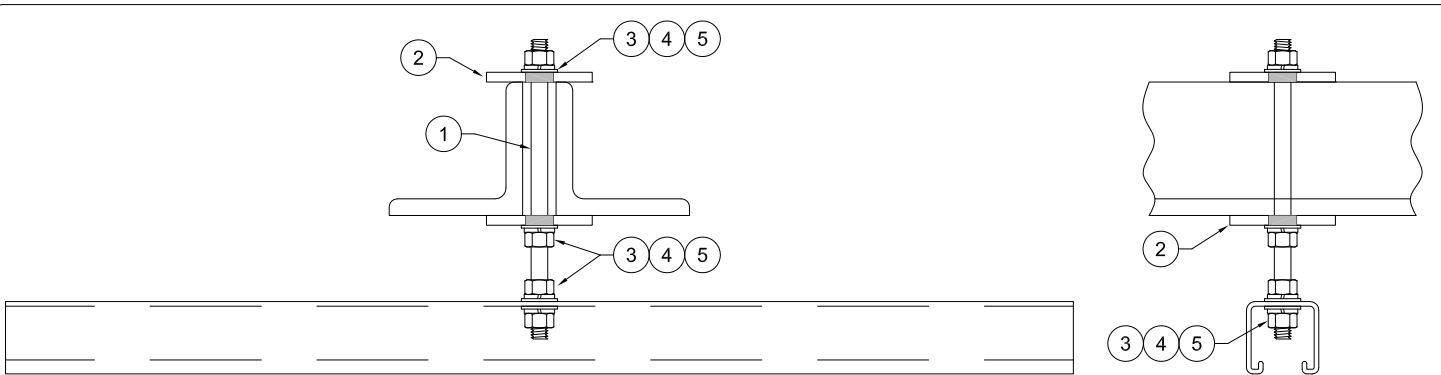
PARTS LIST				
No.	Qty.	PART NUMBER	DESCRIPTION	
1	2	CLMP 00074 0G0	BEAM CLAMP WITH U-BOLT AND NUTS	
2	4	HDWE 04002 0E0	3/8" LOCK WASHER	



**Required Parts For One (1) Connection.
Unistrut Clamp To Joist Flange W/ Flat Clamps.**

FLAT CLAMP PART NUMBER	FLAT CLAMP BAR DIA.	HEX SCREW PART NUMBER	HEX SCREW LENGTH	FLANGE THICKNESS MAX
XCUR 67026 002	1" BAR	HDWE 01208 0E0	2 1/2"	1"
XCUR 67025 002	1 1/2" BAR	HDWE 01213 0E0	3	1 1/2"
XCUR 67028 002	2" BAR	HDWE 01217 0E0	3 1/2"	2"

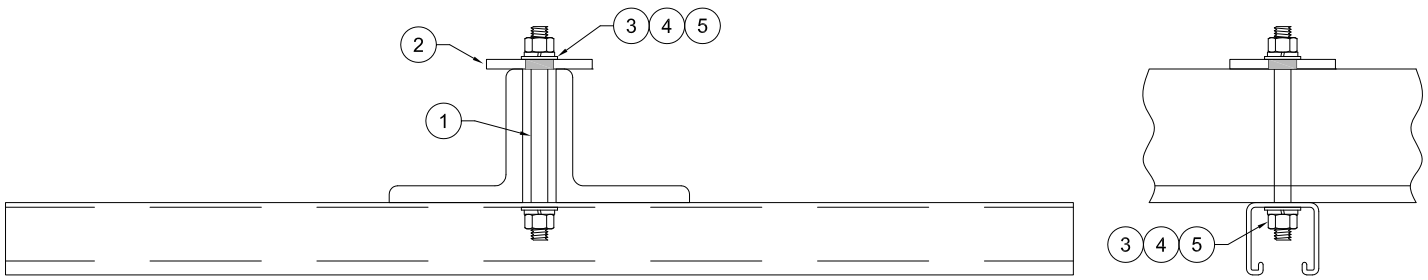
PARTS LIST				
No.	Qty.	PART NUMBER	DESCRIPTION	
1	2	XCUR 67026 002	FLAT CLAMP WELD W/ 1" BAR (SEE TABLE)	
2	2	HDWE 01208 0E0	HEX HD CAP SCREW- 3/8-16 X2-1/2 GRADE5 (SEE TABLE)	
3	4	HDWE 04002 0E0	3/8" LOCK WASHER	
4	4	HDWE 05004 0E0	3/8" FLAT WASHER	
5	2	HDWE 03002 0E0	3/8" HEX NUT	



**Required Parts For One (1) Connection.
Unistrut Drop Attachment W/ a Threaded Rod Thru The Joist.**

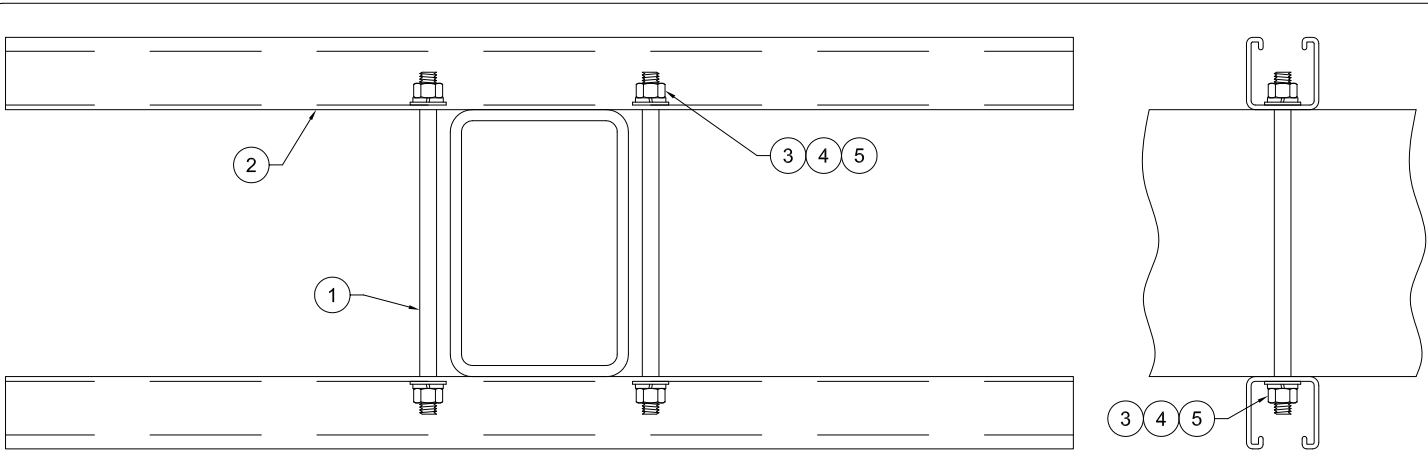
PARTS LIST				
No.	Qty.	PART NUMBER	DESCRIPTION	
1	1	HDWE 58089 000	THREADED ROD- 3/8-16 X12	
2	2	HDWE 55011 0E0	PLATE WASHER	
3	4	HDWE 04002 0E0	3/8" LOCK WASHER	
4	4	HDWE 05004 0E0	3/8" FLAT WASHER	
5	4	HDWE 03002 0E0	3/8" HEX NUT	

SUPER STRUCTURE ATTACHMENTS



Required Parts For One (1) Connection.
Unistrut Attachment W/ a Threaded Rod Thru The Joist.

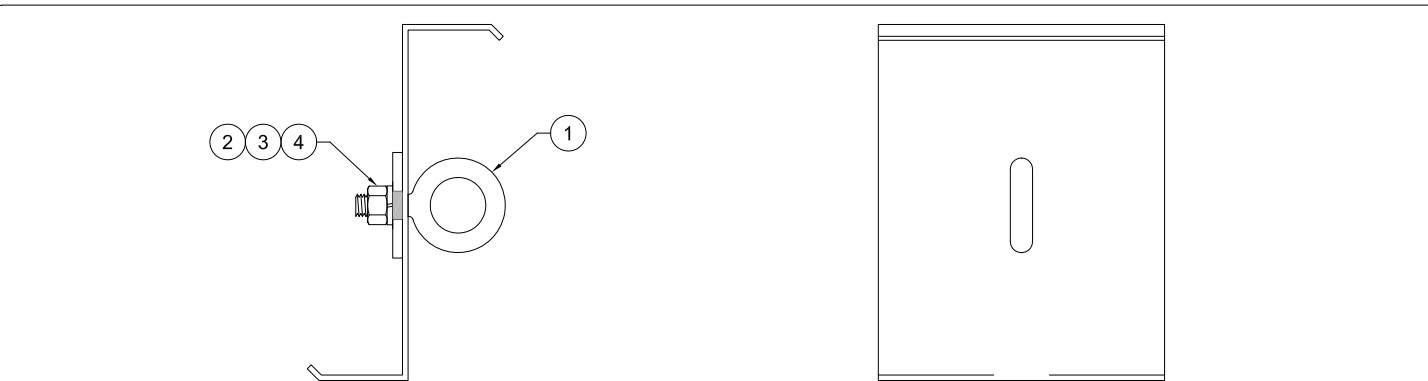
PARTS LIST			
No.	Qty.	PART NUMBER	DESCRIPTION
1	1	HDWE 58089 000	THREADED ROD- 3/8-16 X12
2	1	HDWE 55011 0E0	PLATE WASHER
3	2	HDWE 04002 0E0	3/8" LOCK WASHER
4	2	HDWE 05004 0E0	3/8" FLAT WASHER
5	2	HDWE 03002 0E0	3/8" HEX NUT



Required Parts For One (1) Connection.
Unistrut Sandwich To Tube Steel

PART NUMBER	THREADED ROD LENGTH
HDWE 58143 0E0	6"
HDWE 58089 000	12"

PARTS LIST			
No.	Qty.	PART NUMBER	DESCRIPTION
1	2	HDWE 58089 000	THREADED ROD- 3/8-16 X12 (SEE TABLE)
2	1	CHNL SPAN 00024	UNISTRUT CHANNEL- 2'-0" LONG
3	4	HDWE 04002 0E0	3/8" LOCK WASHER
4	4	HDWE 05004 0E0	3/8" FLAT WASHER
5	4	HDWE 03002 0E0	3/8" HEX NUT



Required Parts For One (1) Connection.
Eyebolt Attachment to Z Purlin

PARTS LIST			
No.	Qty.	PART NUMBER	DESCRIPTION
1	1	HDWE 57019 000	FORGED EYEBOLT 1/2" x 1-1/2"
2	2	HDWE 04003 0E0	1/2" LOCK WASHER
3	2	HDWE 03003 0E0	1/2" HEX NUT
4	1	HDWE 55011 0E0	PLATE WASHER

SUPER STRUCTURE ATTACHMENTS

**Required Parts For One (1) Connection.
Unistrut Attachment To Z Purlin.**

PARTS LIST			
No.	Qty.	PART NUMBER	DESCRIPTION
1	1	HDWE 01124 0E0	HEX HEAD CAP SCREW 3/8"-16 X 1
2	1	HDWE 01213 0E0	HEX HEAD CAP SCREW 3/8"-16 X 3
3	1	ANGL 00301 1E0	SUPPORT ANGLE 2" Lg.
4	4	HDWE 04002 0E0	3/8" LOCK WASHER
5	1	HDWE 05004 0E0	3/8" FLAT WASHER
6	2	HDWE 03002 0E0	3/8" HEX NUT
7	1	HDWE 55011 0E0	PLATE WASHER

**Required Parts For One (1) Connection.
Unistrut Attachment To Side of Wood Truss**

PART NUMBER	THREADED ROD LENGTH
HDWE 58143 0E0	6"
HDWE 58089 000	12"

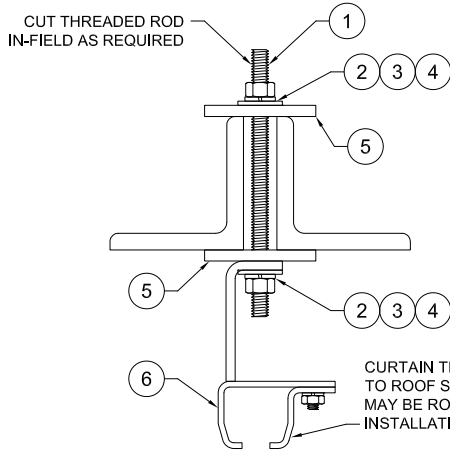
PARTS LIST			
No.	Qty.	PART NUMBER	DESCRIPTION
1	3	HDWE 58089 000	THREADED ROD- 3/8-16 X12 (SEE TABLE)
2	2	ANGL 00301 1E0	SUPPORT ANGLE 2" Lg.
3	6	HDWE 04002 0E0	3/8" LOCK WASHER
4	6	HDWE 05004 0E0	3/8" FLAT WASHER
5	6	HDWE 03002 0E0	3/8" HEX NUT

**Required Parts For One (1) Connection.
Unistrut Sandwich To Wood Truss**

PART NUMBER	THREADED ROD LENGTH
HDWE 58143 0E0	6"
HDWE 58089 000	12"

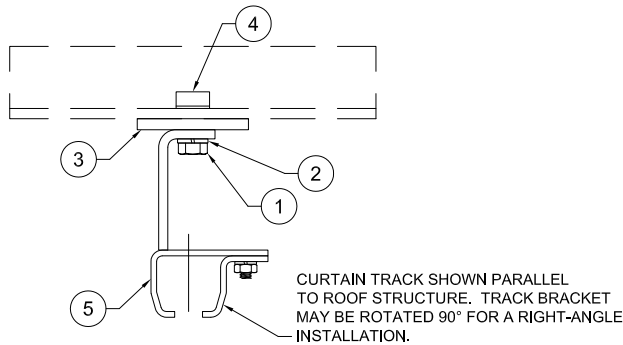
PARTS LIST			
No.	Qty.	PART NUMBER	DESCRIPTION
1	2	HDWE 58089 000	THREADED ROD- 3/8-16 X12 (SEE TABLE)
2	1	CHNL SPAN 00024	UNISTRUT CHANNEL- 2'-0" LONG
3	4	HDWE 04002 0E0	3/8" LOCK WASHER
4	4	HDWE 05004 0E0	3/8" FLAT WASHER
5	4	HDWE 03002 0E0	3/8" HEX NUT

CURTAIN ATTACHMENTS



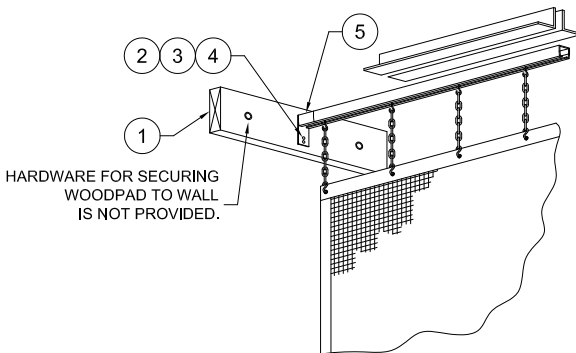
Required Parts For One (1) Connection.
Track Bracket Direct To Joist.

PARTS LIST			
No.	Qty.	PART NUMBER	DESCRIPTION
1	1	HDWE 58089 000	3/8" THREADED ROD x 12" Lg.
2	2	HDWE 04002 0E0	3/8" LOCK WASHER
3	2	HDWE 05004 0E0	3/8" FLAT WASHER
4	2	HDWE 03002 0E0	3/8" HEX NUT
5	2	HDWE 55011 0E0	PLATE WASHER
6	1	XCUR 64042 0E0	TRACK BRACKET



Required Parts For One (1) Connection.
Track Bracket To Unistrut

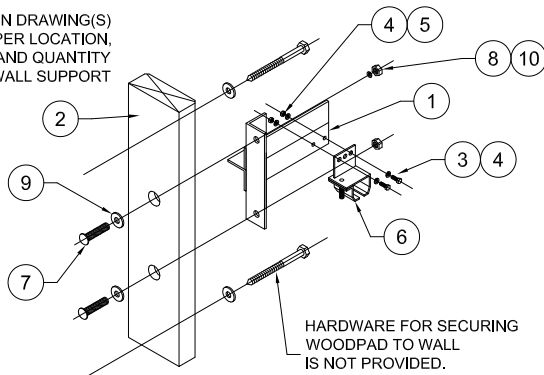
PARTS LIST			
No.	Qty.	PART NUMBER	DESCRIPTION
1	1	HDWE 01202 0E0	3/8" x 1 1/2" Lg. HEX HEAD CAP SCREW
2	1	HDWE 04002 0E0	3/8" LOCK WASHER
3	1	HDWE 55011 0E0	PLATE WASHER
4	1	HDWE 03057 0E0	3/8" CHANNEL NUT
5	1	XCUR 64042 0E0	TRACK BRACKET



Required Parts For One (1) Connection.
Track Bracket To Wall

PARTS LIST			
No.	Qty.	PART NUMBER	DESCRIPTION
1	1	XPAD 20602 00B	WOOD PAD - 2 x 6 x 2'-0" Lg.
2	2	HDWE 02060 0E0	1/4" x 2" Lg. CARRIAGE BOLT
3	2	HDWE 04004 0E0	1/4" LOCK WASHER
4	2	HDWE 03004 0E0	1/4" HEX NUT
5	1	XCUR 64050 0E0	END WALL ATTACHMENT

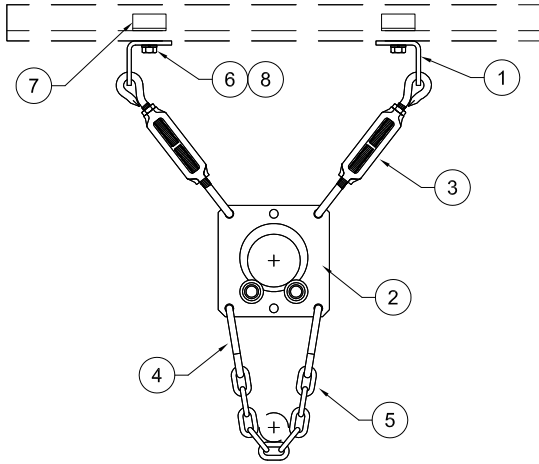
SEE INSTALLATION DRAWING(S) FOR PROPER LOCATION, SPACING AND QUANTITY OF TRACK WALL SUPPORT



Required Parts For One (1) Connection.
Track Bracket To Wall

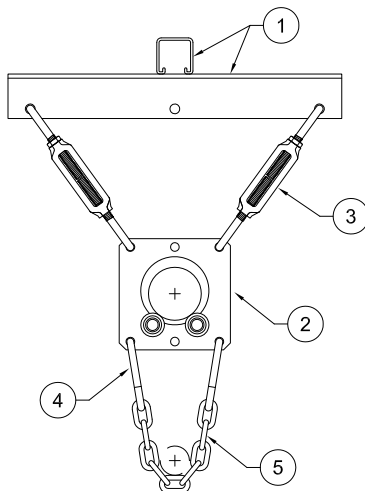
PARTS LIST			
No.	Qty.	PART NUMBER	DESCRIPTION
1	1	XCUR 640 BRKT 01	WALL BRACKET
2	1	XPAD 20602 00B	WOOD PAD - 2 x 6 x 2'-0" Lg.
3	2	HDWE 01124 0E0	3/8" x 1" Lg. HEX HEAD CAP SCREW
4	4	HDWE 04002 0E0	3/8" LOCK WASHER
5	2	HDWE 03002 0E0	3/8" HEX NUT
6	1	XCUR 64043 0E0	TRACK BRACKET
7	2	HDWE 02058 0E0	1/2" x 2 1/4" Lg. CARRIAGE BOLT
8	2	HDWE 04003 0E0	1/2" LOCK WASHER
9	2	HDWE 05005 0E0	1/2" FLAT WASHER
10	2	HDWE 03003 0E0	1/2" HEX NUT

CURTAIN ATTACHMENTS



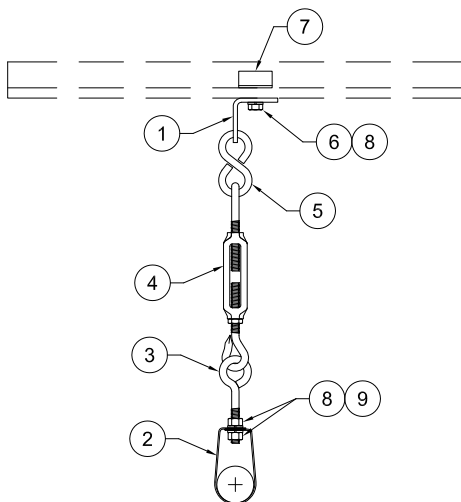
Required Parts For One (1) Lineshaft Support To Unistrut Connection

PARTS LIST			
No.	Qty.	PART NUMBER	DESCRIPTION
1	2	ANGL 00301 1E0	SUPPORT ANGLE - 2" Lg.
2	1	XCUR 67002 100	LINE SHAFT ROLLER ASSEMBLY
3	2	HDWE 57026 0E0	TURNBUCKLE WITH JAM NUT
4	2	HDWE 58026 0E0	5/16" S-HOOK
5	1	CHAN 00025 030	3/16" CHAIN - 30" Lg.
6	2	HDWE 01125 0E0	3/8" x 1 1/4" Lg. HEX HEAD CAP SCREW
7	2	HDWE 03057 0E0	3/8" CHANNEL NUT
8	2	HDWE 04002 0E0	3/8" LOCK WASHER



Required Parts For One (1) Lineshaft Support To Unistrut Connection.

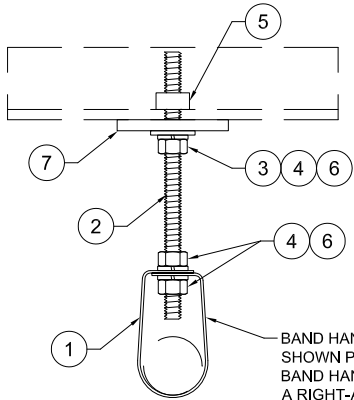
PARTS LIST			
No.	Qty.	PART NUMBER	DESCRIPTION
1	1	BRKT 00024 002	HANGER BRACKET WELDMENT
2	1	XCUR 67002 100	LINE SHAFT ROLLER ASSEMBLY
3	2	HDWE 57026 0E0	TURNBUCKLE WITH JAM NUT
4	2	HDWE 58026 0E0	5/16" S-HOOK
5	1	CHAN 00025 030	3/16" CHAIN - 30" Lg.



Required Parts For One (1) Lineshaft Support To Unistrut Connection.

PARTS LIST			
No.	Qty.	PART NUMBER	DESCRIPTION
1	2	ANGL 00301 1E0	SUPPORT ANGLE - 2" Lg.
2	2	XCUR 67515 0E0	BAND HANGER (For 1 5/8" Dia. Tube)
3	2	HDWE 57034 0E0	EYE-BOLT
4	2	HDWE 57026 0E0	TURNBUCKLE WITH JAM NUT
5	2	HDWE 58026 0E0	5/16" S-HOOK
6	2	HDWE 01125 0E0	3/8" x 1 1/4" Lg. HEX HEAD CAP SCREW
7	2	HDWE 03057 0E0	3/8" CHANNEL NUT
8	22	HDWE 04002 0E0	3/8" LOCK WASHER
9	4	HDWE 03002 0E0	3/8" HEX NUT

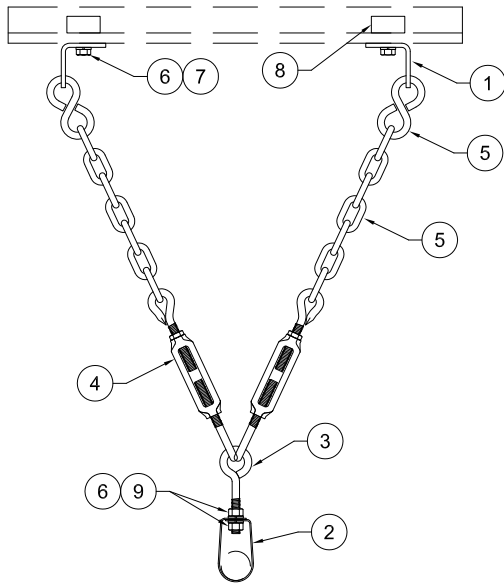
CURTAIN ATTACHMENTS



BAND HANGER / CURTAIN TOP TUBE SHOWN PARALLEL TO ROOF STRUCTURE. BAND HANGER MAY BE ROTATED 90° FOR A RIGHT-ANGLE INSTALLATION.

Required Parts For One (1) Lineshaft Support To Unistrut Connection

PARTS LIST			
No.	Qty.	PART NUMBER	DESCRIPTION
1	1	XCUR 67507 000	BAND HANGER (For 1 $\frac{1}{16}$ " Dia. Tube)
2	1	HDWE 58143 0E0	3/8" THREADED ROD x 6" Lg.
3	1	HDWE 05004 0E0	3/8" FLAT WASHER
4	7	HDWE 04002 0E0	3/8" LOCK WASHER
5	1	HDWE 03057 0E0	3/8" CHANNEL NUT
6	3	HDWE 03002 0E0	3/8" HEX NUT
7	1	HDWE 55011 0E0	PLATE WASHER

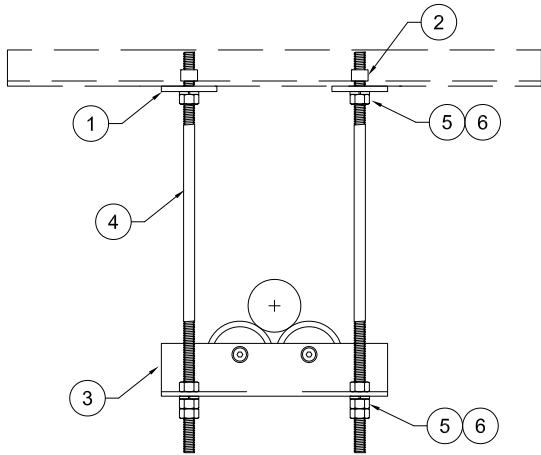


Required Parts For One (1) Lineshaft Support To Unistrut Connection

PARTS LIST			
No.	Qty.	PART NUMBER	DESCRIPTION
1	2	ANGL 00301 1E0	SUPPORT ANGLE - 2" Lg.
2	1	XCUR 67507 000	BAND HANGER (For 1 $\frac{1}{16}$ " Dia. Tube)
3	1	HDWE 57034 0E0	EYE-BOLT
4	2	HDWE 57026 0E0	TURNBUCKLE WITH JAM NUT
5	2	HDWE 58026 0E0	5/16" S-HOOK
6	11	HDWE 04002 0E0	3/8" LOCK WASHER
7	2	HDWE 01125 0E0	3/8" x 1 $\frac{1}{4}$ " Lg. HEX HEAD CAP SCREW
8	2	HDWE 03057 0E0	3/8" CHANNEL NUT
9	4	HDWE 03002 0E0	3/8" HEX NUT
10	FT	CHAN 00004 000	3/16" PROOF COIL CHAIN

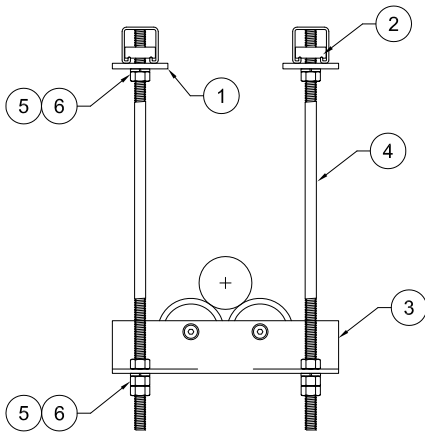
NOTE:
CHAIN QTY. MUST BE ORDERED IN FEET.

BATTING CAGE ATTACHMENTS



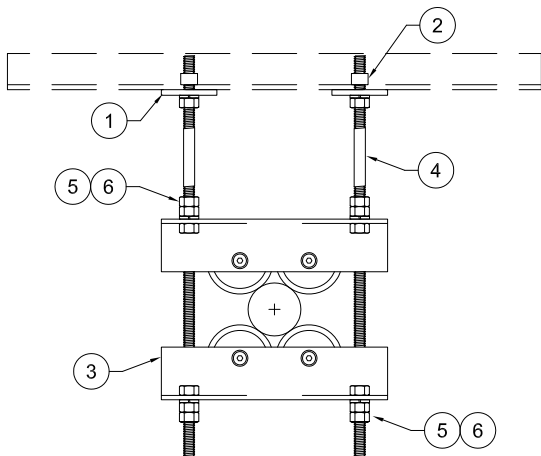
Required Parts For One (1) Lineshaft Support To Unistrut Connection

PARTS LIST			
No.	Qty.	PART NUMBER	DESCRIPTION
1	2	HDWE 55011 0E0	PLATE WASHER
2	2	HDWE 03083 0G0	1/2" CHANNEL NUT
3	1	XCUR 91001 008	LINE SHAFT SUPPORT ASSEMBLY
4	2	HDWE 58051 000	1/2" THREADED ROD x 18" Lg.
5	4	HDWE 04003 0E0	1/2" LOCK WASHER
6	8	HDWE 03003 0E0	1/2" HEX NUT



Required Parts For One (1) Lineshaft Support To Unistrut Connection

PARTS LIST			
No.	Qty.	PART NUMBER	DESCRIPTION
1	2	HDWE 55011 0E0	PLATE WASHER
2	2	HDWE 03083 0G0	1/2" CHANNEL NUT
3	1	XCUR 91001 008	LINE SHAFT SUPPORT ASSEMBLY
4	2	HDWE 58051 000	1/2" THREADED ROD x 18" Lg.
5	4	HDWE 04003 0E0	1/2" LOCK WASHER
6	8	HDWE 03003 0E0	1/2" HEX NUT



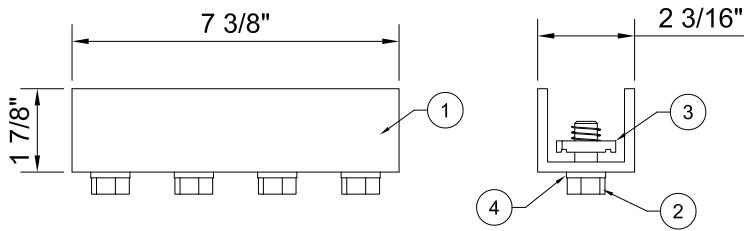
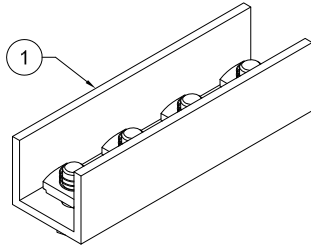
Required Parts For One (1) Lineshaft Support To Unistrut Connection

PARTS LIST			
No.	Qty.		DESCRIPTION
1	2	HDWE 55011 0E0	PLATE WASHER
2	2	HDWE 03083 0G0	1/2" CHANNEL NUT
3	2	XCUR 91001 008	LINE SHAFT SUPPORT ASSEMBLY
4	2	HDWE 58051 000	1/2" THREADED ROD x 18" Lg.
5	6	HDWE 04003 0E0	1/2" LOCK WASHER
6	14	HDWE 03003 0E0	1/2" HEX NUT

UNISTRUT SPLICE & INTERLOCK

Required Parts For One (1) UNISTRUT SPLICE ASSEMBLY

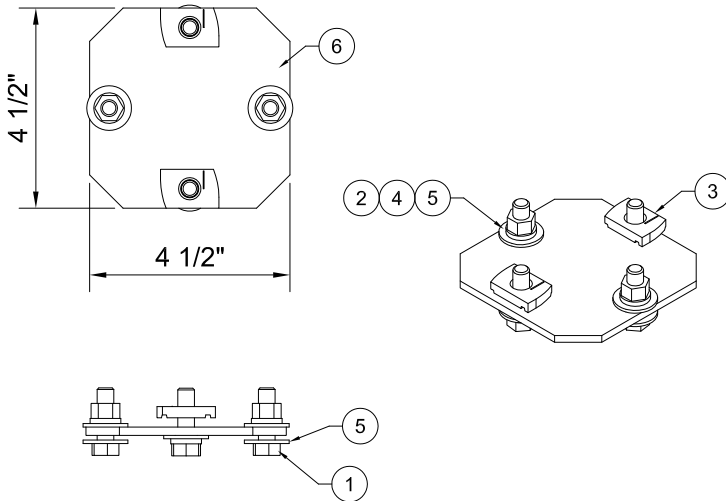
PARTS LIST			
No.	Qty.	PART NUMBER	DESCRIPTION
1	1	CHNL 00105	UNISTRUT SPLICE CHANNEL
2	4	HDWE 01154 0E0	1/2"Ø X 1 1/4" Lg. HEX HEAD CAP SCREW GR 5
3	4	HDWE 03083 0G0	1/2"Ø UNISTRUT NUT W/ LARGE SPRING
4	4	HDWE 04003 0E0	1/2"Ø LOCKWASHER



Required Parts For One (1) Unistrut Splice.

Required Parts For One (1) UNISTRUT INTERLOCK ASSEMBLY

PARTS LIST			
No.	Qty.	PART NUMBER	DESCRIPTION
1	4	HDWE 01125 0E0	3/8"Ø X 1 1/4"Lg. HEX DEAD CAP SCREW GR. 5
2	2	HDWE 03002 0E0	3/8"Ø HEX NUT
3	2	HDWE 03057 0E0	3/8"Ø UNISTRUT NUT W/O SPRING
4	4	HDWE 04002 0E0	3/8"Ø LOCKWASHER
5	6	HDWE 05004 0E0	3/8"Ø FLATWASHER
6	1	PLTE 00062 002	HINGE PLATE

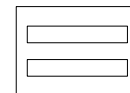


Required Parts For One (1) Unistrut Interlock.



XCUR 67047

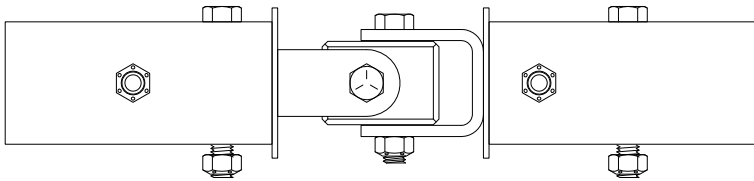
D-RING STRAP SUPPORT BAR



MISC 00220 100

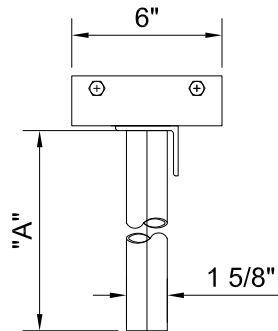
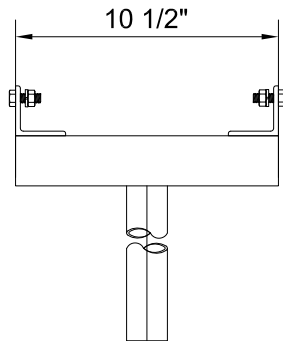
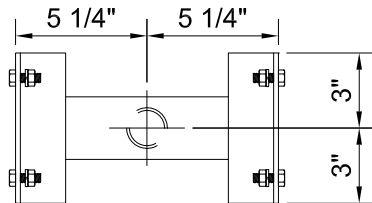
2" 3-BAR WEBBING ADJUSTER

690 CURTAIN ATTACHMENTS



XCUR 69001 002

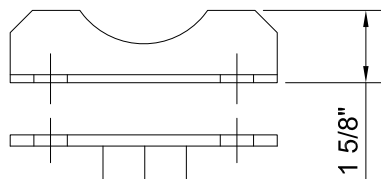
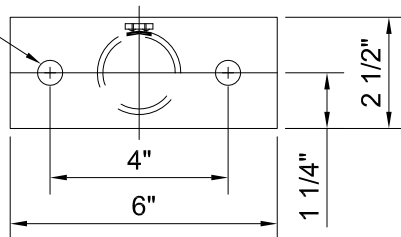
UNIVERSAL COUPLER ASSEMBLY



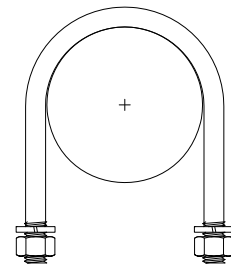
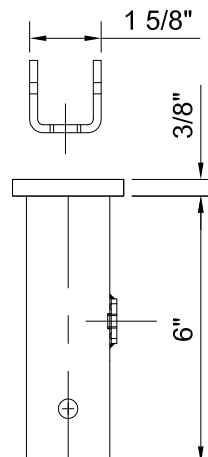
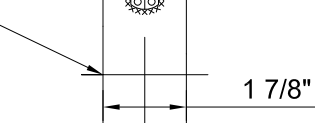
PART NUMBER	DROP TUBE PART NUMBER	"A" 1 5/8" TUBE LENGTH
XCUR 67049 012	DRPAA 670 1 012 2	1'-0"
XCUR 67049 024	DRPAA 670 1 024 2	2'-0"
XCUR 67049 036	DRPAA 670 1 036 2	3'-0"

DROP TUBE WELDMENT WITH HARDWARE

9/16" Ø HOLE
2 PLACES



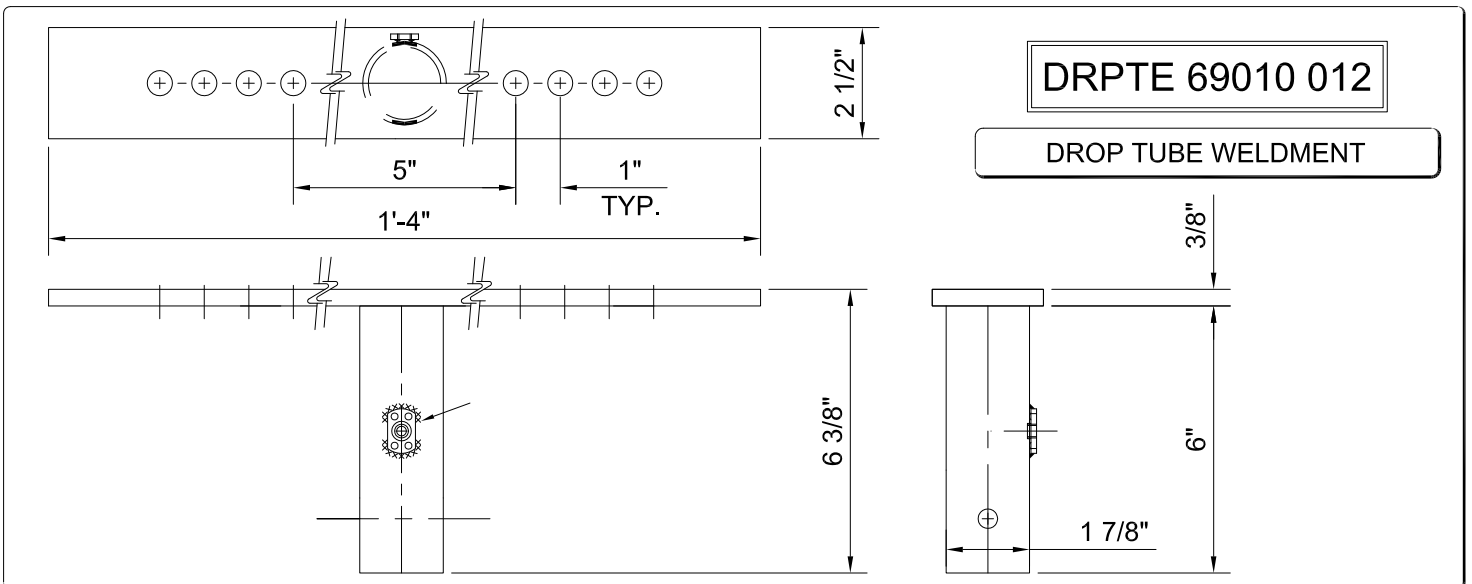
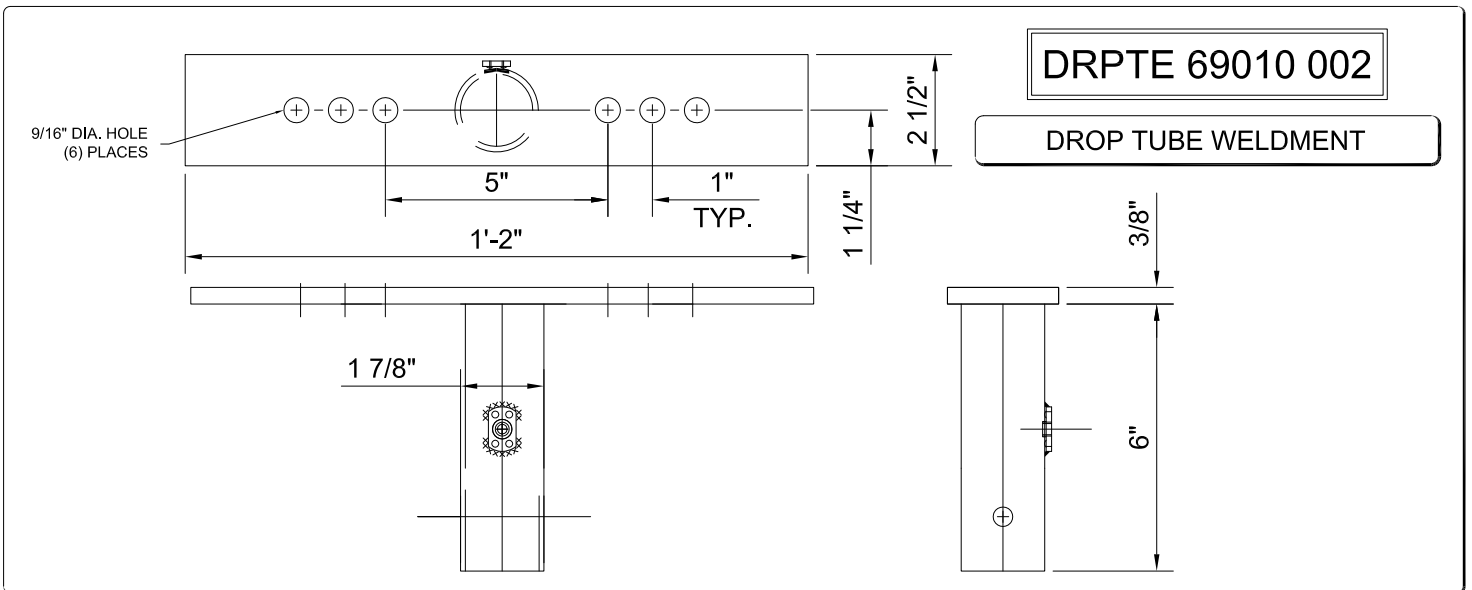
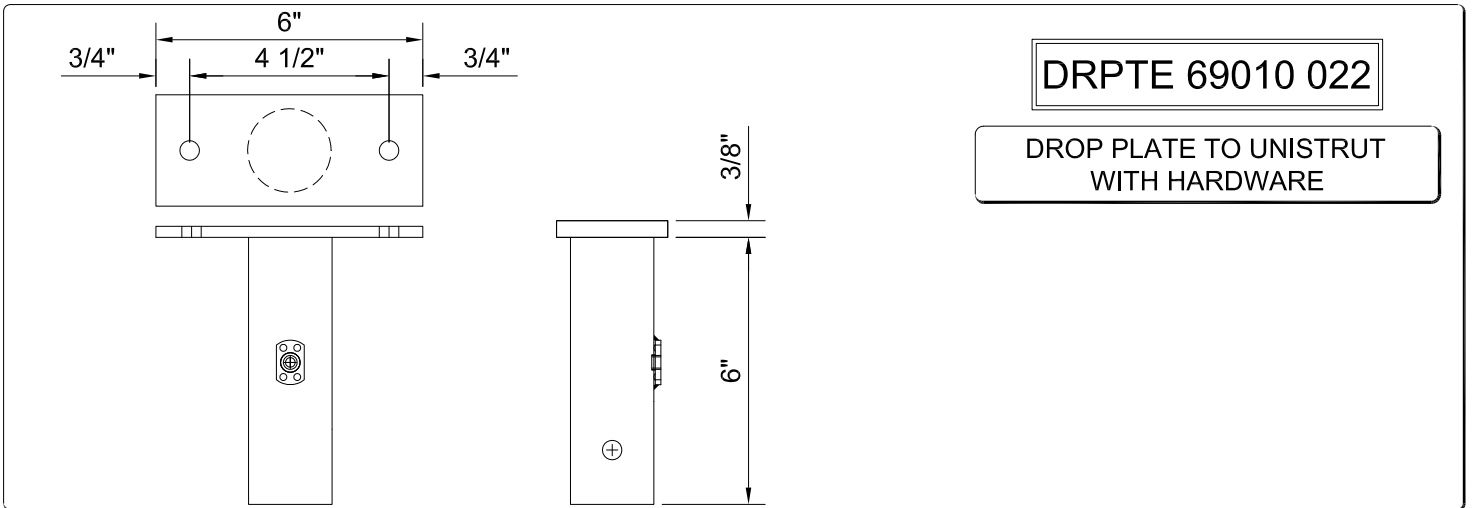
7/16" Ø HOLE



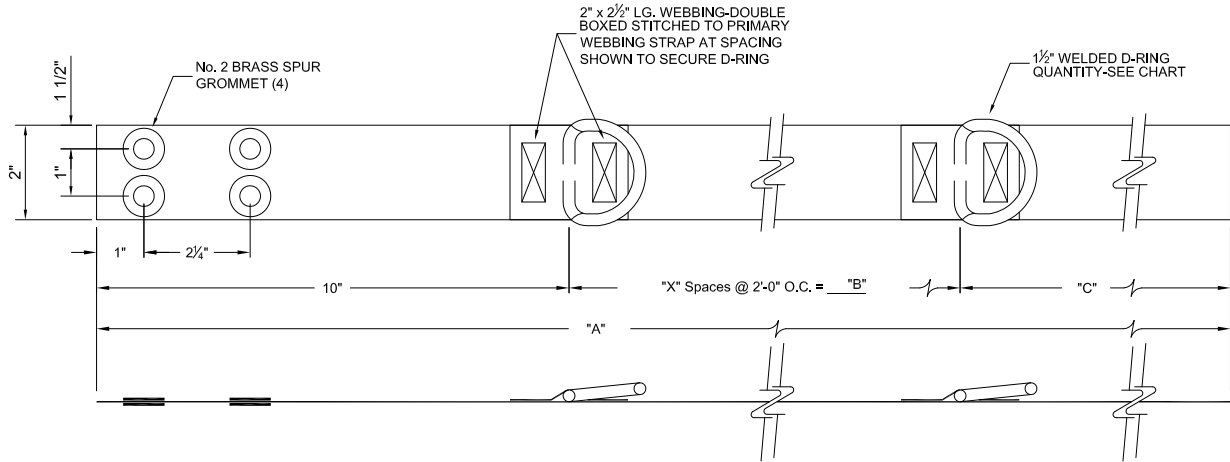
DRPCLP 690 1 000 2

DROP PLATE FOR 3 1/2" PIPE WITH HARDWARE

690 CURTAIN ATTACHMENTS

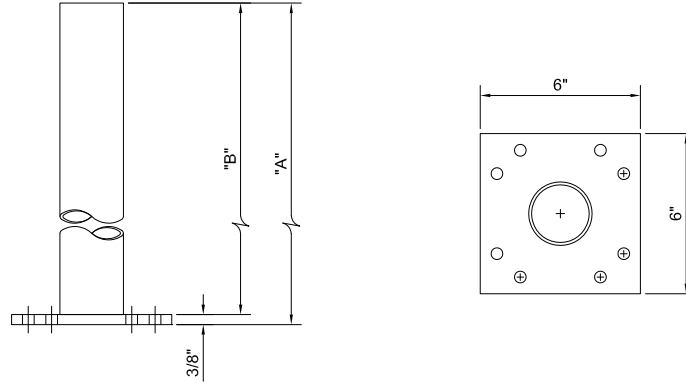


D-RING STRAP ASSEMBLY



PART NUMBER	TOTAL LENGTH "A"	SPACES/LENGTH "B"	D-RING QTY.	END LENGTH "C"
STAP 00024 048	6'-0"	1 SP. = 2'-0"	2	3'-2"
STAP 00024 060	7'-0"	1 SP. = 2'-0"	2	4'-2"
STAP 00024 072	8'-0"	2 SP. = 4'-0"	3	3'-2"
STAP 00024 084	9'-0"	2 SP. = 4'-0"	3	4'-2"
STAP 00024 096	10'-0"	3 SP. = 6'-0"	4	3'-2"
STAP 00024 108	11'-0"	3 SP. = 6'-0"	4	4'-2"
STAP 00024 120	12'-0"	4 SP. = 8'-0"	5	3'-2"
STAP 00024 132	13'-0"	4 SP. = 8'-0"	5	4'-2"
STAP 00024 144	14'-0"	5 SP. = 10'-0"	6	3'-2"
STAP 00024 156	15'-0"	5 SP. = 10'-0"	6	4'-2"
STAP 00024 168	16'-0"	6 SP. = 12'-0"	7	3'-2"
STAP 00024 180	17'-0"	6 SP. = 12'-0"	7	4'-2"
STAP 00024 192	18'-0"	7 SP. = 14'-0"	8	3'-2"
STAP 00024 204	19'-0"	7 SP. = 14'-0"	8	4'-2"
STAP 00024 216	20'-0"	8 SP. = 16'-0"	9	3'-2"
STAP 00024 228	21'-0"	8 SP. = 16'-0"	9	4'-2"
STAP 00024 240	22'-0"	9 SP. = 18'-0"	10	3'-2"
STAP 00024 252	23'-0"	9 SP. = 18'-0"	10	4'-2"
STAP 00024 264	24'-0"	10 SP. = 20'-0"	11	3'-2"
STAP 00024 276	25'-0"	10 SP. = 20'-0"	11	4'-2"
STAP 00024 288	26'-0"	11 SP. = 22'-0"	12	3'-2"
STAP 00024 300	27'-0"	11 SP. = 22'-0"	12	4'-2"

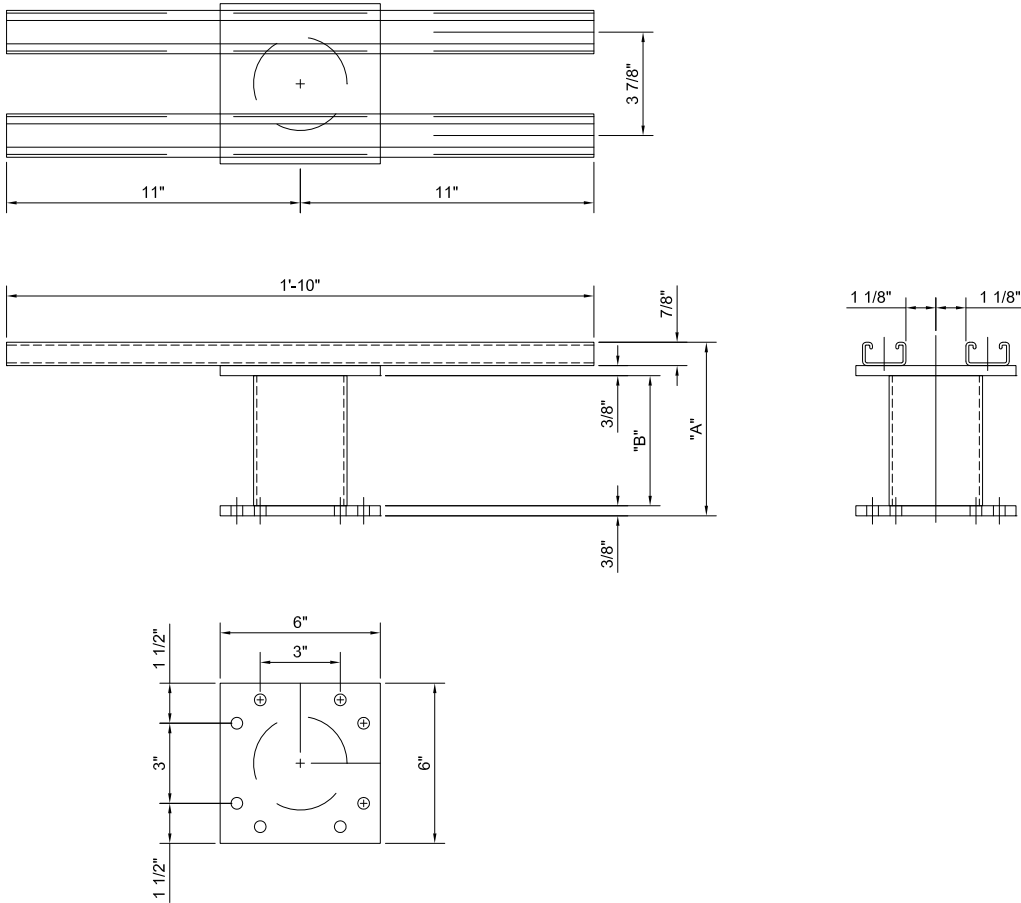
CURTAIN WINCH ADAPTERS



WINCH TO BEAM ADAPTER
CUT IN FIELD

PART NUMBER	"A" OVERALL HEIGHT	"B" 3 1/2" TUBE LENGTH
XCUR 91011 018 2	1'-6 3/8"	1'-6"
XCUR 91011 024 2	2'-0 3/8"	2'-0"
XCUR 91011 036 2	3'-0 3/8"	3'-0"
XCUR 91011 048 2	4'-0 3/8"	4'-0"
XCUR 91011 060 2	5'-0 3/8"	5'-0"
XCUR 91011 072 2	6'-0 3/8"	6'-0"
XCUR 91011 084 2	7'-0 3/8"	7'-0"
XCUR 91011 096 2	8'-0 3/8"	8'-0"
XCUR 91011 108 2	9'-0 3/8"	9'-0"
XCUR 91011 120 2	10'-0 3/8"	10'-0"
XCUR 91011 132 2	11'-0 3/8"	11'-0"
XCUR 91011 144 2	12'-0 3/8"	12'-0"
XCUR 91011 156 2	13'-0 3/8"	13'-0"
XCUR 91011 168 2	14'-0 3/8"	14'-0"
XCUR 91011 180 2	15'-0 3/8"	15'-0"

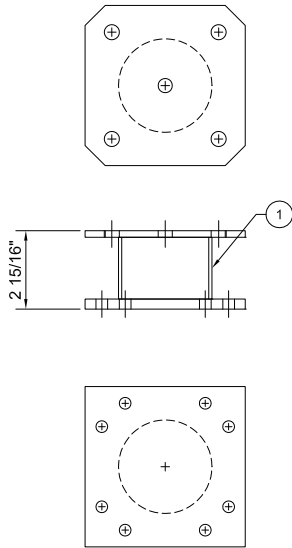
CURTAIN WINCH ADAPTERS



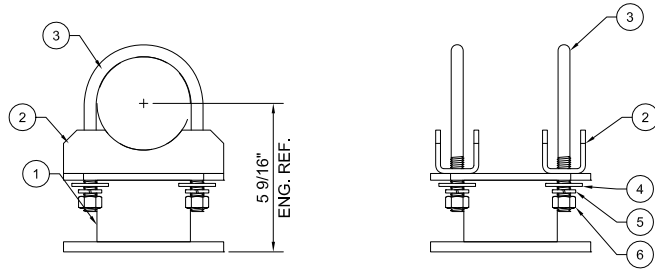
PART NUMBER	"A" OVERALL HEIGHT	"B" 3 1/2" TUBE LENGTH
XCUR 91013 00550 2	5 1/2"	3 7/8"
XCUR 91013 00650 2	6 1/2"	4 7/8"
XCUR 91013 00850 2	8 1/2"	6 7/8"
XCUR 91013 00900 2	9"	7 3/8"
XCUR 91013 01200 2	1'-0"	10 3/8"
XCUR 91013 01500 2	1'-3"	1'-1 3/8"
XCUR 91013 01800 2	1'-6"	1'-4 3/8"
XCUR 91013 02100 2	1'-9"	1'-7 3/8"
XCUR 91013 02400 2	2'-0"	1'-10 3/8"
XCUR 91013 02700 2	2'-3"	2'-1 3/8"
XCUR 91013 03000 2	2'-6"	2'-4 3/8"
XCUR 91013 03300 2	2'-9"	2'-7 3/8"
XCUR 91013 03600 2	3'-0"	2'-10 3/8"
XCUR 91013 11950 2	9'-11 1/2"	9'-10 1/4"

CURTAIN WINCH ADAPTERS

Required Parts For One (1) Complete WINCH ADAPTER ASSEMBLY



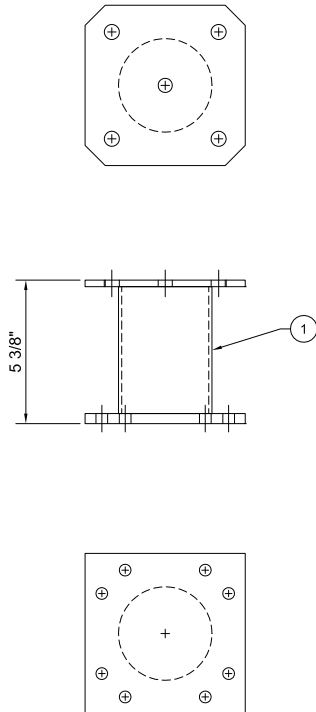
Item #	Qty.	Part Number	Description
1	1		TUBE / PLATE WELDMENT
2	2	CLMP 00054 002	3 1/2" FORMED PIPE CLAMP
3	2	UBOT 00005 000	3 1/2" DIA. U-BOLT
4	4	HDWE 05005 000	1/2" Ø FLAT WASHER
5	4	HDWE 04003 000	1/2" Ø LOCK WASHER
6	4	HDWE 03003 000	1/2" Ø HEX NUT



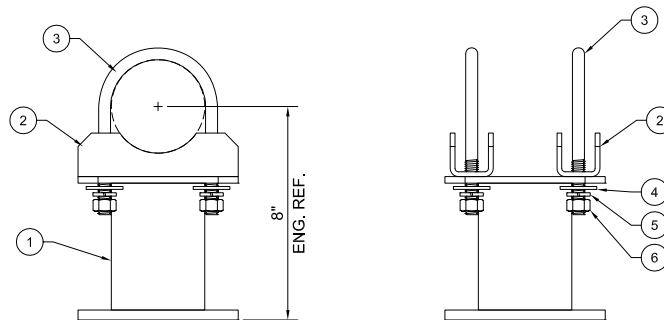
WINCH TO PIPE ADAPTER

XCUR 91016 002

Required Parts For One (1) Complete WINCH ADAPTER ASSEMBLY



Item #	Qty.	Part Number	Description
1	1		TUBE / PLATE WELDMENT
2	2	CLMP 00054 002	3 1/2" FORMED PIPE CLAMP
3	2	UBOT 00005 000	3 1/2" DIA. U-BOLT
4	4	HDWE 05005 000	1/2" Ø FLAT WASHER
5	4	HDWE 04003 000	1/2" Ø LOCK WASHER
6	4	HDWE 03003 000	1/2" Ø HEX NUT

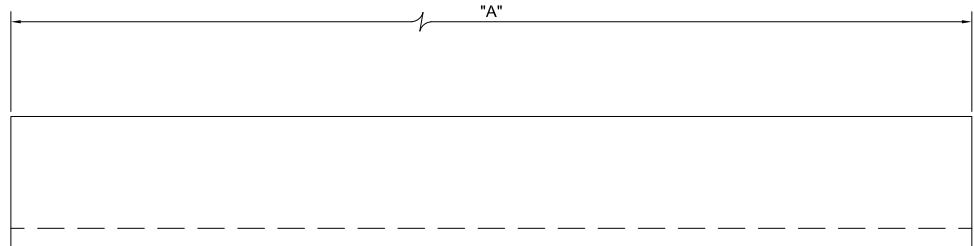
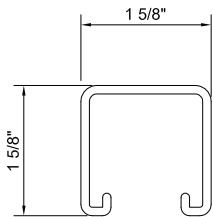


WINCH TO PIPE ADAPTER

XCUR 91016 102

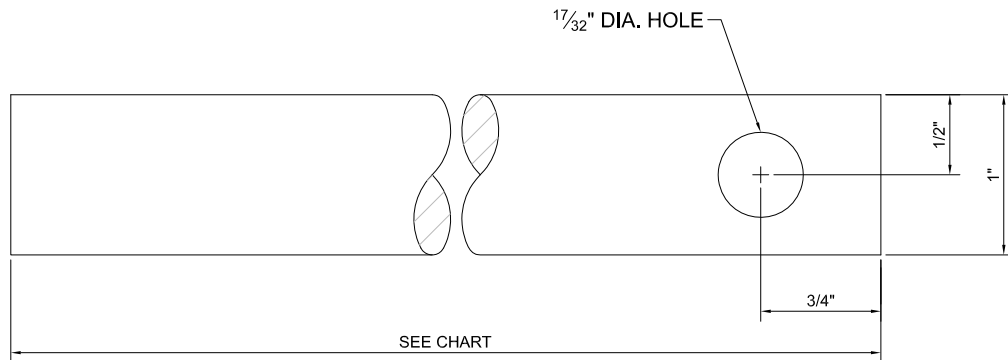
UNISTRUT CHANNEL WITH SLOTS

CHNL SPAN 00 _ _ _



PART NUMBER	"A"	DESCRIPTION
CHNL SPAN 00 024	2'-0"	UNISTRUT CHANNEL W/ SLOTS- GALV- 2'-0" LG
CHNL SPAN 00 036	3'-0"	UNISTRUT CHANNEL W/ SLOTS- GALV- 3'-0" LG
CHNL SPAN 00 048	4'-0"	UNISTRUT CHANNEL W/ SLOTS- GALV- 4'-0" LG
CHNL SPAN 00 060	5'-0"	UNISTRUT CHANNEL W/ SLOTS- GALV- 5'-0" LG
CHNL SPAN 00 072	6'-0"	UNISTRUT CHANNEL W/ SLOTS- GALV- 6'-0" LG
CHNL SPAN 00 084	7'-0"	UNISTRUT CHANNEL W/ SLOTS- GALV- 7'-0" LG
CHNL SPAN 00 096	8'-0"	UNISTRUT CHANNEL W/ SLOTS- GALV- 8'-0" LG
CHNL SPAN 00 108	9'-0"	UNISTRUT CHANNEL W/ SLOTS- GALV- 9'-0" LG
CHNL SPAN 00 120	10'-0"	UNISTRUT CHANNEL W/ SLOTS- GALV- 10'-0" LG
CHNL SPAN 00 132	11'-0"	UNISTRUT CHANNEL W/ SLOTS- GALV- 11'-0" LG
CHNL SPAN 00 144	12'-0"	UNISTRUT CHANNEL W/ SLOTS- GALV- 12'-0" LG
CHNL SPAN 00 156	13'-0"	UNISTRUT CHANNEL W/ SLOTS- GALV- 13'-0" LG
CHNL SPAN 00 168	14'-0"	UNISTRUT CHANNEL W/ SLOTS- GALV- 14'-0" LG
CHNL SPAN 00 180	15'-0"	UNISTRUT CHANNEL W/ SLOTS- GALV- 15'-0" LG
CHNL SPAN 00 192	16'-0"	UNISTRUT CHANNEL W/ SLOTS- GALV- 16'-0" LG
CHNL SPAN 00 204	17'-0"	UNISTRUT CHANNEL W/ SLOTS- GALV- 17'-0" LG
CHNL SPAN 00 216	18'-0"	UNISTRUT CHANNEL W/ SLOTS- GALV- 18'-0" LG
CHNL SPAN 00 228	19'-0"	UNISTRUT CHANNEL W/ SLOTS- GALV- 19'-0" LG
CHNL 00092 0G0	20'-0"	UNISTRUT CHANNEL W/ SLOTS- GALV- 20'-0" LG

BOTTOM TUBE WEIGHTS



BOTTOM TUBE WEIGHTS

PART NUMBER	DESCRIPTION	WHEN TO USE
ROND 00138 018	1" OD STEEL BAR WITH HOLE, BOTTOM TUBE WEIGHT 1'-6" LONG	2080 CURTAIN IS BETWEEN 20'-0" AND 30'-0" LONG
ROND 00138 024	1" OD STEEL BAR WITH HOLE, BOTTOM TUBE WEIGHT 2'-0" LONG	2080 CURTAIN IS BETWEEN 30'-0" AND 40'-0" LONG
ROND 00138 036	1" OD STEEL BAR WITH HOLE, BOTTOM TUBE WEIGHT 3'-0" LONG	2080 CURTAIN IS BETWEEN 40'-0" AND 50'-0" LONG
ROND 00138 060	1" OD STEEL BAR WITH HOLE, BOTTOM TUBE WEIGHT 5'-0" LONG	2080 CURTAIN IS 50'-0" AND UP. TWO (2) IF OVER 60'-0"
ROND 00138 075	1" OD STEEL BAR WITH HOLE, BOTTOM TUBE WEIGHT 6'-3" LONG	ALL 670 CURTAINS REQUIRE TWO (2).

CURTAIN REPLACEMENT CABLES & BELTS

670 REPLACEMENT CABLE

PART NUMBER	"A"	DESCRIPTION
ROPE 00110 010	10'-0"	HOIST CABLE ASSEMBLY - 10'-0" Lg.
ROPE 00110 015	15'-0"	HOIST CABLE ASSEMBLY - 15'-0" Lg.
ROPE 00110 020	20'-0"	HOIST CABLE ASSEMBLY - 20'-0" Lg.
ROPE 00110 025	25'-0"	HOIST CABLE ASSEMBLY - 25'-0" Lg.
ROPE 00110 030	30'-0"	HOIST CABLE ASSEMBLY - 30'-0" Lg.
ROPE 00110 035	35'-0"	HOIST CABLE ASSEMBLY - 35'-0" Lg.
ROPE 00110 040	40'-0"	HOIST CABLE ASSEMBLY - 40'-0" Lg.
ROPE 00110 045	45'-0"	HOIST CABLE ASSEMBLY - 45'-0" Lg.
ROPE 00110 050	50'-0"	HOIST CABLE ASSEMBLY - 50'-0" Lg.
ROPE 00110 055	55'-0"	HOIST CABLE ASSEMBLY - 55'-0" Lg.
ROPE 00110 060	60'-0"	HOIST CABLE ASSEMBLY - 60'-0" Lg.
ROPE 00110 065	65'-0"	HOIST CABLE ASSEMBLY - 65'-0" Lg.
ROPE 00110 070	70'-0"	HOIST CABLE ASSEMBLY - 70'-0" Lg.
ROPE 00110 075	75'-0"	HOIST CABLE ASSEMBLY - 75'-0" Lg.
ROPE 00110 080	80'-0"	HOIST CABLE ASSEMBLY - 80'-0" Lg.
ROPE 00110 085	85'-0"	HOIST CABLE ASSEMBLY - 85'-0" Lg.
ROPE 00110 090	90'-0"	HOIST CABLE ASSEMBLY - 90'-0" Lg.
ROPE 00110 095	95'-0"	HOIST CABLE ASSEMBLY - 95'-0" Lg.
ROPE 00110 100	100'-0"	HOIST CABLE ASSEMBLY - 100'-0" Lg.
ROPE 00110 105	105'-0"	HOIST CABLE ASSEMBLY - 105'-0" Lg.
ROPE 00110 110	110'-0"	HOIST CABLE ASSEMBLY - 110'-0" Lg.
ROPE 00110 115	115'-0"	HOIST CABLE ASSEMBLY - 115'-0" Lg.
ROPE 00110 120	120'-0"	HOIST CABLE ASSEMBLY - 120'-0" Lg.
ROPE 00110 125	125'-0"	HOIST CABLE ASSEMBLY - 125'-0" Lg.
ROPE 00110 130	130'-0"	HOIST CABLE ASSEMBLY - 130'-0" Lg.
ROPE 00110 135	135'-0"	HOIST CABLE ASSEMBLY - 135'-0" Lg.
ROPE 00110 140	140'-0"	HOIST CABLE ASSEMBLY - 140'-0" Lg.
ROPE 00110 145	145'-0"	HOIST CABLE ASSEMBLY - 145'-0" Lg.
ROPE 00110 150	150'-0"	HOIST CABLE ASSEMBLY - 150'-0" Lg.
ROPE 00110 155	155'-0"	HOIST CABLE ASSEMBLY - 155'-0" Lg.
ROPE 00110 160	160'-0"	HOIST CABLE ASSEMBLY - 160'-0" Lg.

675 REPLACEMENT BELTS

PART NUMBER	"A"	DESCRIPTION
STAP 00017 035	35'-0"	675 BELT (35'-0"LG)
STAP 00017 040	40'-0"	675 BELT (40'-0"LG)
STAP 00017 045	45'-0"	675 BELT (45'-0"LG)
STAP 00017 050	50'-0"	675 BELT (50'-0"LG)
STAP 00017 055	55'-0"	675 BELT (55'-0"LG)
STAP 00017 060	60'-0"	675 BELT (60'-0"LG)
STAP 00017 065	65'-0"	675 BELT (65'-0"LG)
STAP 00017 070	70'-0"	675 BELT (70'-0"LG)
STAP 00017 075	75'-0"	675 BELT (75'-0"LG)
STAP 00017 080	80'-0"	675 BELT (80'-0"LG)
STAP 00017 085	85'-0"	675 BELT (85'-0"LG)
STAP 00017 090	90'-0"	675 BELT (90'-0"LG)
STAP 00017 095	95'-0"	675 BELT (95'-0"LG)
STAP 00017 100	100'-0"	675 BELT (100'-0"LG)

POWDER COAT AND TOUCH-UP PAINT COLORS

POWDER COAT COLORS

PART NUMBER	DESCRIPTION
97904001	POWDER COAT GLOSS FINISH - LIGHT BLUE
97904002	POWDER COAT GLOSS FINISH - ROYAL BLUE
97904003	POWDER COAT GLOSS FINISH - RED
97904004	POWDER COAT GLOSS FINISH - WHITE
97904005	POWDER COAT GLOSS FINISH - ORANGE
97904006	POWDER COAT GLOSS FINISH - YELLOW GOLD
97904007	POWDER COAT GLOSS FINISH - SILVER
97904008	POWDER COAT GLOSS FINISH - OLD GOLD
97904009	POWDER COAT GLOSS FINISH - GRAY
97904010	POWDER COAT GLOSS FINISH - MAROON
97904011	POWDER COAT GLOSS FINISH - PURPLE
97904012	POWDER COAT GLOSS FINISH - BLACK
97904013	POWDER COAT GLOSS FINISH - NAVY BLUE
97904014	POWDER COAT GLOSS FINISH - KELLY GREEN
97904015	POWDER COAT GLOSS FINISH - FOREST GREEN
97904099	POWDER COAT GLOSS FINISH - CUSTOM COLOR
97906004	FLAT - WHITE (POWDER COAT)
97906012	FLAT - BLACK (POWDER COAT)

NOTE:

WHEN PLACING AN ORDER FOR PARTS PLEASE PROVIDE A POWDER COAT COLOR PART NUMBER. ALL PARTS THAT CAN BE PAINTED, WILL BE PAINTED THAT COLOR.

TOUCH-UP PAINT COLORS

PART NUMBER	DESCRIPTION
PANT 00010 001	TOUCH-UP PAINT AEROSOL (GLOSS) - LIGHT BLUE
PANT 00010 002	TOUCH-UP PAINT AEROSOL (GLOSS) - ROYAL BLUE
PANT 00010 003	TOUCH-UP PAINT AEROSOL (GLOSS) - RED
PANT 00010 004	TOUCH-UP PAINT AEROSOL (GLOSS) - WHITE
PANT 00010 005	TOUCH-UP PAINT AEROSOL (GLOSS) - ORANGE
PANT 00010 006	TOUCH-UP PAINT AEROSOL (GLOSS) - YELLOW GOLD
PANT 00010 007	TOUCH-UP PAINT AEROSOL (GLOSS) - SILVER
PANT 00010 008	TOUCH-UP PAINT AEROSOL (GLOSS) - OLD GOLD
PANT 00010 009	TOUCH-UP PAINT AEROSOL (GLOSS) - GRAY
PANT 00010 010	TOUCH-UP PAINT AEROSOL (GLOSS) - MAROON
PANT 00010 011	TOUCH-UP PAINT AEROSOL (GLOSS) - PURPLE
PANT 00010 012	TOUCH-UP PAINT AEROSOL (GLOSS) - BLACK
PANT 00010 013	TOUCH-UP PAINT AEROSOL (GLOSS) - NAVY BLUE
PANT 00010 014	TOUCH-UP PAINT AEROSOL (GLOSS) - KELLY GREEN
PANT 00010 015	TOUCH-UP PAINT AEROSOL (GLOSS) - FOREST GREEN
PANT 00010 016	TOUCH-UP PAINT AEROSOL - FLAT - BLACK
PANT 00010 017	TOUCH-UP PAINT AEROSOL - FLAT - WHITE
PANT 00010 099	TOUCH-UP PAINT AEROSOL (GLOSS) - CUSTOM COLOR
PANT 00011 004	TOUCH-UP PAINT AEROSOL - PORTABLE WHITE

BANK & HEIGHT ADJUSTER CHARTS

HARDWARE FOR BANK CHART

BANK	STYLE	MATERIAL	W/ CENTER STRUT	W/ HEIGHT ADJUSTER	4 CORNER MOUNT
00204-000	RECTANGULAR	GLASS	HDWE9B125C04	HDWE9B125C04	HDWE9B125C08
00204-350 (STEEL FRAME Fan Mount Centers)	RECTANGULAR	GLASS	HDWE9B125C04	HDWE9B125C02	HDWE9B125C08
00208-000 (Direct-Mount Only)	RECTANGULAR	GLASS	HDWE9B125C04	HDWE9B125C04	
00228-300 (Orange Markings 3-6"x6'-0")	RECTANGULAR	WOOD (Dura-Lam)	HDWE9B100H04	HDWE9B100H04	HDWE9B100H08
00216-000 (FAN CENTERS) (Goal Mount Holes Slotted 5" x 4½" to 5")	RECTANGULAR	FIBERGLASS	HDWE9B125H04	HDWE9B125H02	HDWE9B125H08
00228-350 (Fan Mount Centers 3-6"x6'-0")	RECTANGULAR	WOOD (Dura-Lam)	HDWE9B100H04	HDWE9B100H04	HDWE9B100H04
00234-000 (Natural Finish)	FAN	ALUMINUM	HDWE9B100H04	HDWE9B100H04	HDWE9B100H08
00234-300 (White With Orange Markings)	FAN	ALUMINUM	HDWE9B100H04	HDWE9B100H04	HDWE9B100H08
00267-000 (For Use On Direct-Mount Units)	FAN	FIBERGLASS	HDWE9B125H04	HDWE9B125H02	HDWE9B125H08
00267-698 (4 CORNER ATTACH) (For Use On Direct-Mount Units)	FAN	FIBERGLASS	HDWE9B125H04	HDWE9B125H02	HDWE9B125H08

HEIGHT ADJUSTER CHART

STYLE	KEY SWITCH Ht. Adj.	SPORT SONIC Ht. Adj.	POWR-STICK Ht. Adj.	POWER-TOUCH Ht. Adj.	MANUAL Ht. Adj.
RECTANGULAR	00901506	00903506	00902506	00904506	00900506
FAN	00901211	00903211	00902211	00904211	00900211

COMMONLY USED PARTS

BACKSTOPS

PART NUMBER	DESCRIPTION
ROPE 00039 0G0	1/4" GALVANIZED CABLE (FOR BACKSTOPS)
ROPE 00037 000	CABLE CLAMP 1/4"
PL 1000	SAF-STRAP
PL 1000 W	SAF-STRAP WALL MOUNT BRACKET
XPUL 57401 000	SWIVEL PULLEY
XCLP 97001 002	PULLEY EYE CLAMP
PULY 00009 000	7/16" SHACKLE W/ ROUND PIN ANCHOR
XPUL 50700 000	EYEBOLT ASSEMBLY FOR PULLEY

THREADED RODS

PART NUMBER	DESCRIPTION
HDWE 58143 0E0	THREADED ROD 3/8"Ø X 6" Lg.
HDWE 58089 000	THREADED ROD 3/8"Ø X 12" Lg.
HDWE 580 166	THREADED ROD 3/8"Ø X 24" Lg.
HDWE 58069 000	THREADED ROD 1/2"Ø X 6" Lg.
HDWE 58052 000	THREADED ROD 1/2"Ø X 12" Lg.
HDWE 58051 000	THREADED ROD 1/2"Ø X 18" Lg.
HDWE 58048 000	THREADED ROD 1/2"Ø X 24" Lg.

PIPE CAPS

PART NUMBER	DESCRIPTION
PCAP 00014 002	2-3/8" PIPE CAP - BLACK
PCAP 00014 003	2-3/8" PIPE CAP - WHITE
PCAP 00013 002	3-1/2" PIPE CAP - BLACK
PCAP 00013 003	3-1/2" PIPE CAP - WHITE
PCAP 00016 002	6-5/8" PIPE CAP - BLACK
PCAP 00016 003	6-5/8" PIPE CAP - WHITE

CURTAINS

PART NUMBER	DESCRIPTION
HDWE 58147 0E0	DRIVE RIVET- 5/16 X 7/16
ROPE 00041 0G0	1/8" GALVANIZED CABLE
XCUR 91003 008	ADJUSTABLE DRUM ASSEMBLY

HEX NUTS

PART NUMBER	DESCRIPTION
HDWE 03002 0E0	3/8"Ø HEX NUT
HDWE 03003 0E0	1/2"Ø HEX NUT

LOCKWASHERS

PART NUMBER	DESCRIPTION
HDWE 04002 0E0	3/8"Ø LOCKWASHER
HDWE 04003 0E0	1/2"Ø LOCKWASHER

FLAT WASHERS

PART NUMBER	DESCRIPTION
HDWE 05004 0E0	3/8"Ø FLATWASHER
HDWE 05005 0E0	1/2"Ø FLATWASHER

INSTALLER NOTES



601 Mercury Drive, Champaign, IL U.S.A., 61822
www.porterathletic.com
(888) 277-7778

SAVE THIS GUIDE FOR FUTURE USE